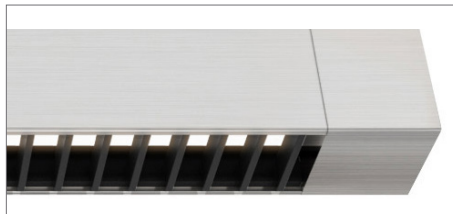




Diffused White Lens (Actual Size)



Diffused White Lens with White Louver



Diffused White Lens with Black Louver

Description

Zip Suspension Downlight with Remote Power is a linear LED fixture that offers spot-free, direct light in a clean, contemporary style. Zip is available in various increments from 12 to 720 inches (60ft.), a 100 degree beam spread lens, optional louver, and a variety of finishes with Warm Dim, Tunable White, and RGB options. Fixture includes a 5 year warranty. For custom designs and quotes, send drawings to design@PureEdgeLighting.com.

Installation

- Wattages for this fixture are available in the following options:
 - 2W - 2.5 watts per foot, lengths up to 720" (60 ft.)
 - 5W - 4.4 watts per foot, lengths up to 420" (35 ft.)
 - 7W - 7.5 watts per foot, lengths up to 312" (26 ft.)
- Mounts to a standard junction box, prewired from a 60 watt Non-IC (50W-IC) power supply that fits in the ceiling electrical junction box or from a remote power supply up to 200 watts at a maximum 40 feet away
- Includes your choice of Canopy (1R 1" rectangle or 4S 4.6" square)
- Includes ceiling locking clips (for support every 4 feet)
- Power Supply sold separately

Finishes

- Available in Satin Nickel, Chrome, White, and Satin Black

Lenses

- Available in a Diffused White Lens with 100° beam spread or Clear Frosted Lens with 60° beam spread
- Optional black or white louver available for both lenses

Applications

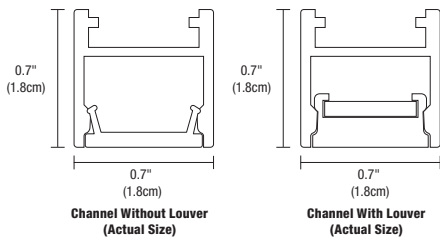
- Designed for indoor use only. Ideal application environments include: conference rooms, kitchens, dining rooms, architectural lighting, general lighting, and retail

Lamping

- Choose from 10 color temperatures from 2200K-5700K including Warm Dim, Color Tuning and RGB
- Warm Dim (optional): 2700K to 2000K (27D) or 3000K to 2000K (30D)
- Tunable White (optional): 2000K-4000K
- RGB (optional): Red, Green, Blue
- 50,000 Hour Lamp Life

Remote Power Supplies* & Dimming (Sold Separately)

- Electronic Low Voltage Dimming (ELV): 100 watt Class 2: 200 watt UL2108
 - 0-10 Volt Dimming (0-10V)
 - Lutron Hi-lume®
 - DMX Dynamic Color Changing
- *In-Wall Mounting Kits available for select power supplies
Dimmers not available through PureEdge Lighting



System	Wattage Per Foot	Canopy	Nominal Size	Color Temperature	Finish
ZCD	2W	1R	720	22K	SN
ZCD Zip Ceiling, Diffused White 100 Degree Lens, without Louver ZCDW Zip Ceiling, Diffused White 100 Degree Lens, with White Louver ZCDB Zip Ceiling, Diffused White 100 Degree Lens, with Black Louver ZCCW Zip Ceiling, Clear Frosted 60 Degree Lens, with White Louver ZCCB Zip Ceiling, Clear Frosted 60 Degree Lens, with Black Louver	2W 2.5 Watts (720" Max, 60 ft.) 5W 4.4 Watts (420" Max, 35 ft.) 7W 7.3 Watts (312" Max, 26 ft.)	1R 1" Rectangle with Junction Box 4S 4.6" Square Canopy	12-720 Order in various increments from 12 inches to 720 inches "Chrome shipping maximum length, 84". SN, BK, WH shipping, 120"	22K 2200K Amber White 27K 2700K Very Warm White 27D 2700K Warm Dim (5W only) 30K 3000K Warm White 30D 3000K Warm Dim (5W only) 35K 3500K Neutral White 40K 4000K Cool White 57K 5700K Daylight White 2K4K 2000K-4000K Tunable White (5W only, 20 ft. max) RGB RGB (5W only, 20 ft., 100W max)	SN Satin Nickel CH Chrome BK Satin Black WH White

PROJECT	FIXTURE TYPE	DATE
---------	--------------	------

Lamp Data: Lamp data for each channel type

ZCD																				
100 Degree Diffused White Lens without Louver																				
DESCRIPTION	2w (2.5 watts)						5w (4.4 watts)						7w (7.3 watts)							
WATTS PER FOOT																				
COLOR TEMPERATURE	22K	27K	30K	35K	40K	57K	22K	27K	27D'	30K	30D'	35K	40K	57K	22K	27K	30K	35K	40K	57K
LUMENS PER FOOT (lm/ft)	80	98	107	123	134	142	173	211	260	231	284	264	287	306	275	335	367	420	456	486
LUMENS PER WATT (lm/w)	32	39	43	49	53	57	39	48	54	52	59	60	65	70	38	46	50	58	63	67
CRI	85+	95+	95+	85+	84	84	85+	95+	95+	95+	95+	85+	84	84	85+	95+	95+	85+	84	84

ZCDW																				
100 Degree Diffused White Lens with White Louver																				
DESCRIPTION	2w (2.5 watts)						5w (4.4 watts)						7w (7.3 watts)							
WATTS PER FOOT																				
COLOR TEMPERATURE	22K	27K	30K	35K	40K	57K	22K	27K	27D'	30K	30D'	35K	40K	57K	22K	27K	30K	35K	40K	57K
LUMENS PER FOOT (lm/ft)	50	61	67	77	83	89	108	132	162	144	177	165	179	191	172	209	229	262	285	303
LUMENS PER WATT (lm/w)	20	24	27	31	33	35	25	30	34	33	37	37	41	43	24	29	31	36	39	42
CRI	85+	95+	95+	85+	84	84	85+	95+	95+	95+	95+	85+	84	84	85+	95+	95+	85+	84	84

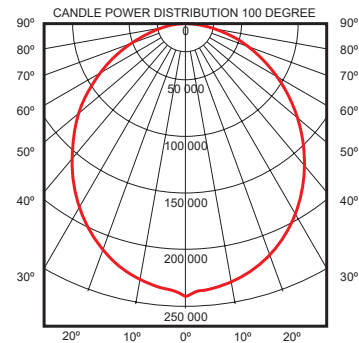
ZCCW																				
60 Degree Clear Frosted Lens with White Louver																				
DESCRIPTION	2w (2.5 watts)						5w (4.4 watts)						7w (7.3 watts)							
WATTS PER FOOT																				
COLOR TEMPERATURE	22K	27K	30K	35K	40K	57K	22K	27K	27D'	30K	30D'	35K	40K	57K	22K	27K	30K	35K	40K	57K
LUMENS PER FOOT (lm/ft)	57	69	76	87	94	100	122	149	206	163	226	187	203	216	194	237	259	297	323	343
LUMENS PER WATT (lm/w)	23	28	30	35	38	40	28	34	43	37	47	42	46	49	27	32	36	41	44	47
CRI	85+	95+	95+	85+	84	84	85+	95+	95+	95+	95+	85+	84	84	85+	95+	95+	85+	84	84

ZCDB																				
100 Degree Diffused White Lens with Black Louver																				
DESCRIPTION	2w (2.5 watts)						5w (4.4 watts)						7w (7.3 watts)							
WATTS PER FOOT																				
COLOR TEMPERATURE	22K	27K	30K	35K	40K	57K	22K	27K	27D'	30K	30D'	35K	40K	57K	22K	27K	30K	35K	40K	57K
LUMENS PER FOOT (lm/ft)	31	38	42	48	52	55	67	82	101	90	110	103	111	119	107	130	142	163	177	188
LUMENS PER WATT (lm/w)	12	15	17	19	21	22	15	19	21	20	23	23	25	27	15	18	19	22	24	26
CRI	85+	95+	95+	85+	84	84	85+	95+	95+	95+	95+	85+	84	84	85+	95+	95+	85+	84	84

ZCCB																				
60 Degree Clear Frosted Lens with Black Louver																				
DESCRIPTION	2w (2.5 watts)						5w (4.4 watts)						7w (7.3 watts)							
WATTS PER FOOT																				
COLOR TEMPERATURE	22K	27K	30K	35K	40K	57K	22K	27K	27D'	30K	30D'	35K	40K	57K	22K	27K	30K	35K	40K	57K
LUMENS PER FOOT (lm/ft)	35	43	47	54	59	62	76	93	128	101	140	116	126	134	121	147	161	185	201	214
LUMENS PER WATT (lm/w)	14	17	19	22	23	25	17	21	27	23	29	26	29	31	17	20	22	25	27	29
CRI	85+	95+	95+	85+	84	84	85+	95+	95+	95+	95+	85+	84	84	85+	95+	95+	85+	84	84

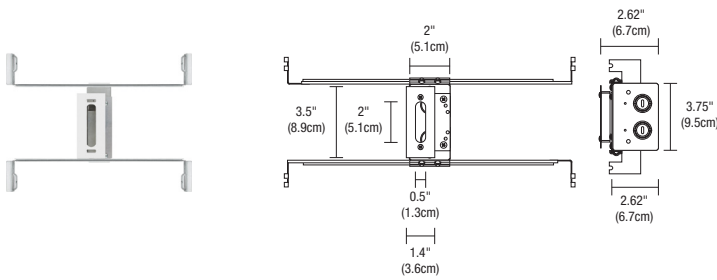
*27D, 30D - Warm Dim (4.8 Watts)

5W DIFFUSED WHITE			
Distance	Foot Candles 5W	Beam Width Vert. Spread 101.1°	Beam Width Horiz. Spread 97.4°
1.7ft	120fc	4.1ft	3.9ft
3.3ft	39fc	8.0ft	7.5ft
5.0ft	16fc	12.1ft	11.4ft
6.7ft	10fc	16.3ft	15.3ft
8.3ft	6fc	20.2ft	18.9ft
10.0ft	4fc	24.3ft	22.8ft



PROJECT	FIXTURE TYPE	DATE
---------	--------------	------

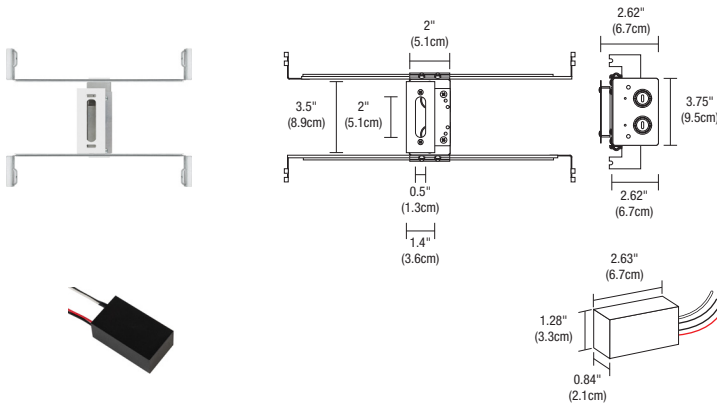
Components: Jbox, Split Canopies, and Mounting Clips are included and sold separately for replacement



1" Rectangle Canopy and Jbox (Included, with 1R selected in fixture ordering code)

The Slim-Profile Junction Box with hanger bars mounts to studs spaced between 14.5 and 25 inches apart behind drywall. Allows low voltage DC wires from remote power supply to connect to channel wires. The junction box opening is covered by the fixture for a clean, safe connection. Includes a goof plate, for poor plastering around j-box.

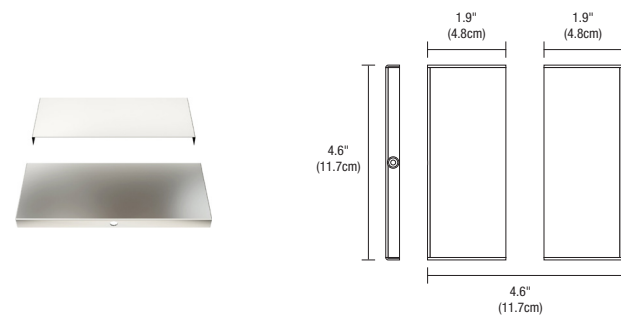
System	Canopy	Product
C	1RE	JBOX
C Channel	1RE 1" Rectangle	JBOX Junction Box



1" Rectangle Canopy and Jbox with 50W Power Supply (Order Separately)

The Slim-Profile Junction Box with hanger bars mounts to studs spaced between 14.5 and 25 inches apart behind drywall. Allows low voltage DC wires from included power supply to connect to channel wires. The junction box opening is covered by the fixture for a clean, safe connection. For Non-Insulated Ceiling or wall Power Supply is rated at 60 watts. For Insulated Ceiling it's rated 50 watts. Includes a goof plate, for poor plastering around j-box.

System	Canopy	Product	Watts	Insulation
CV2	1RE	JBOX	50W	IC
CV2 Channel 24V	1RE 1" Rectangle	JBOX Junction Box	50W 50 Watts	IC Insulated Ceiling



4" Square Split Canopy (Included, with 4S selected in fixture ordering code)

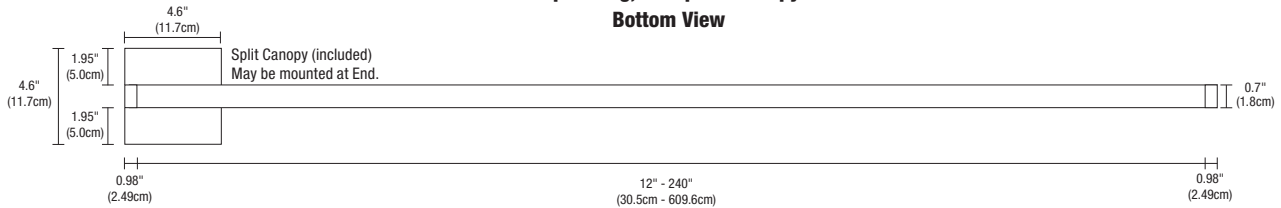
The 4 inch square canopy fits on a standard 4 inch electrical box with round plaster ring. It fits flush along channel while covering the junction box. The Canopy may float anywhere along the channel and comes in four finishes.

System	Canopy	Finish
ZC	4SQ	SN
ZC Zip Ceiling	4SQ 4.6" Split Square	SN Satin Nickel BK Satin Black WH White CH Chrome

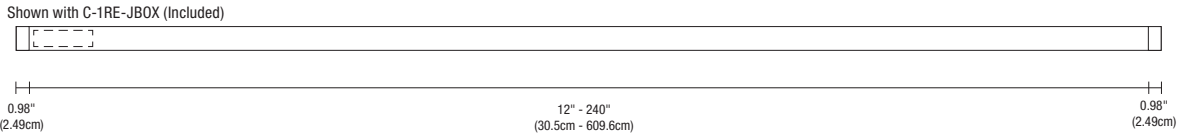
PROJECT	FIXTURE TYPE	DATE
---------	--------------	------

Drawings: Drawings are shown with the 4 inch Square Canopy and the 1 inch Rectangle Canopy

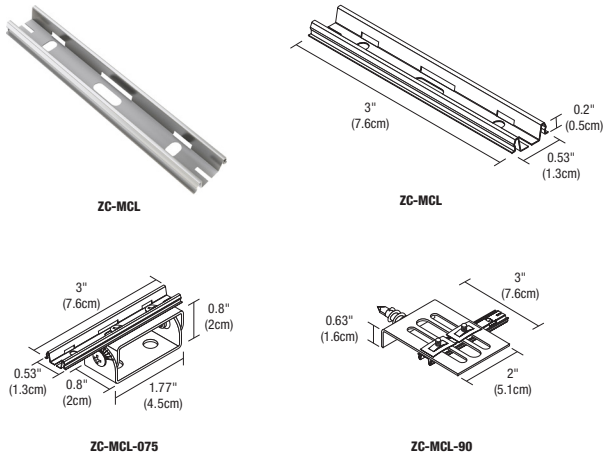
**Zip Ceiling, 4" Square Canopy
Bottom View**



**Zip Ceiling, 1" Rectangle Canopy
Bottom View**



Adjustable Mounting Clip: Using the Adjustable Mounting Clip allows you to mount the channel on the ceiling at various angles

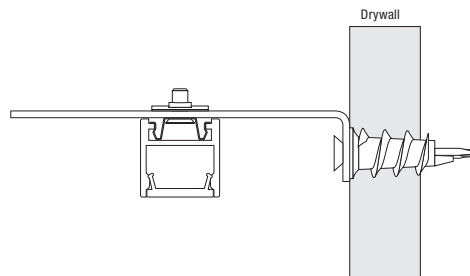
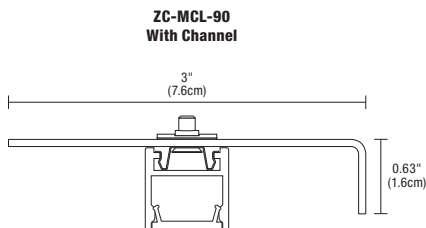
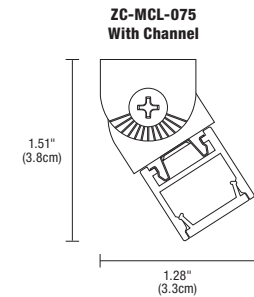
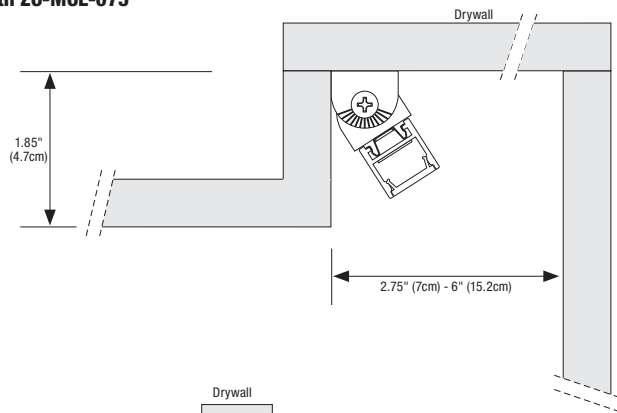


Mounting Clips

ZC-MCL mounting clips are provided with every two feet of Zip Channel and may be ordered separately as replacement parts. The ZC-MCL-075 rotates Light Channel up to 75 degrees. ZC-MCL-90 mounts Light Channel at a 90 degree angle.

System	Product	Type
ZC	MCL	Standard (Leave Blank)
ZC Zip Channel	MCL Mounting Clip	075 Adjusts 0-75° 90 Adjusts 90°

Zip Ceiling with ZC-MCL-075



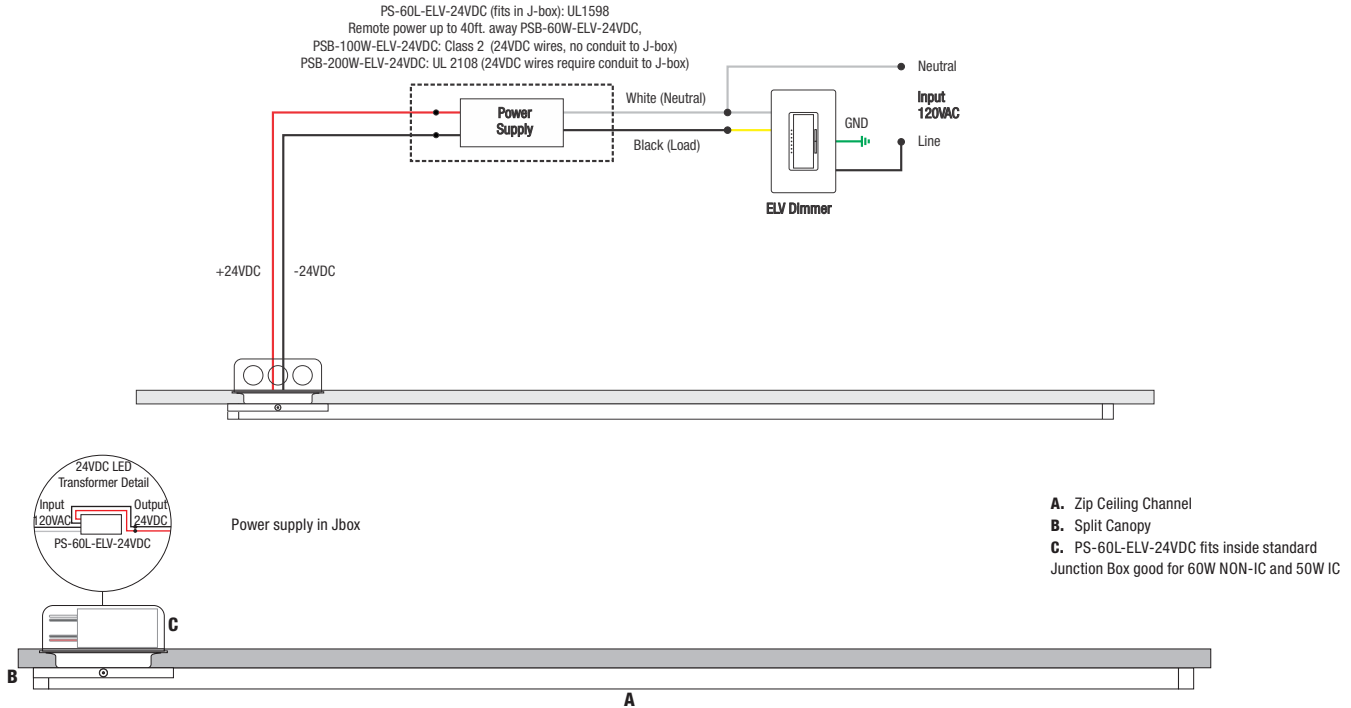
Zip Ceiling with ZC-MCL-090

PROJECT	FIXTURE TYPE	DATE
---------	--------------	------

Wiring Diagram: Wiring diagram for Static White with ELV Dimmers

- Application:** ELV dimming for Zip Ceiling, Split Canopy, Static White
- Power Supply:** Class 2, 24VDC output: 120VAC input, PS-60L-ELV-24VDC (Fits in Jbox)
- Remote Power Supplies:** PSB-60W-ELV-24VDC
PSB-100W-ELV-24VDC
UL 2108: PSB-200W-ELV-24VDC

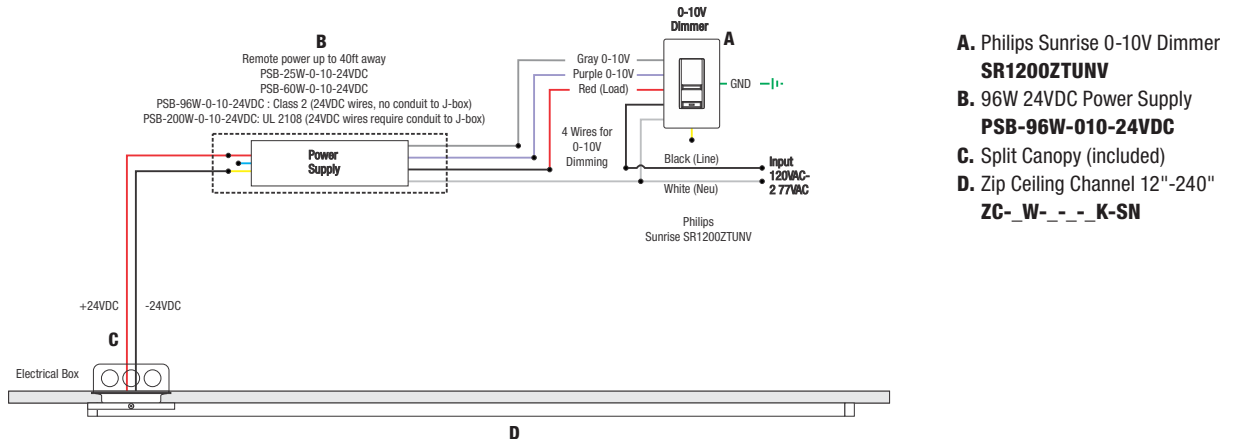
Dimming: Dimmable with ELV dimmer: Legrand, Adorne ADTP703TU; Lutron: Diva DVELV-300P, Skylark SELVz-300P, Maestro MAELV-600 and Radio Ra 2



Wiring Diagram: Wiring diagram for Static White with 0-10 Dimmers

- Application:** 0-10 dimming for Zip Ceiling, Split Canopy, Static White
- Remote Power Supplies:** UL Class 2, 24VDC output: 120/277 VAC input,
PSB-60W-010-24VDC
PSB-100W-010-24VDC
UL 2108: PSB-200W-010-24VDC

Dimming: Dimmable with 0-10 dimmer: Philips: Sunrise SR1200ZTUNV; Lutron: Diva DDTV-WH, Nova-T NTSTV-DV-XX, Graftix Eye QS QSGRJ-XP, Radio RA2 RRD-1-ND; Leviton: LEV40050, IP710-LFZ; Legrand ADPD4FBL3P2W4



PROJECT	FIXTURE TYPE	DATE
---------	--------------	------

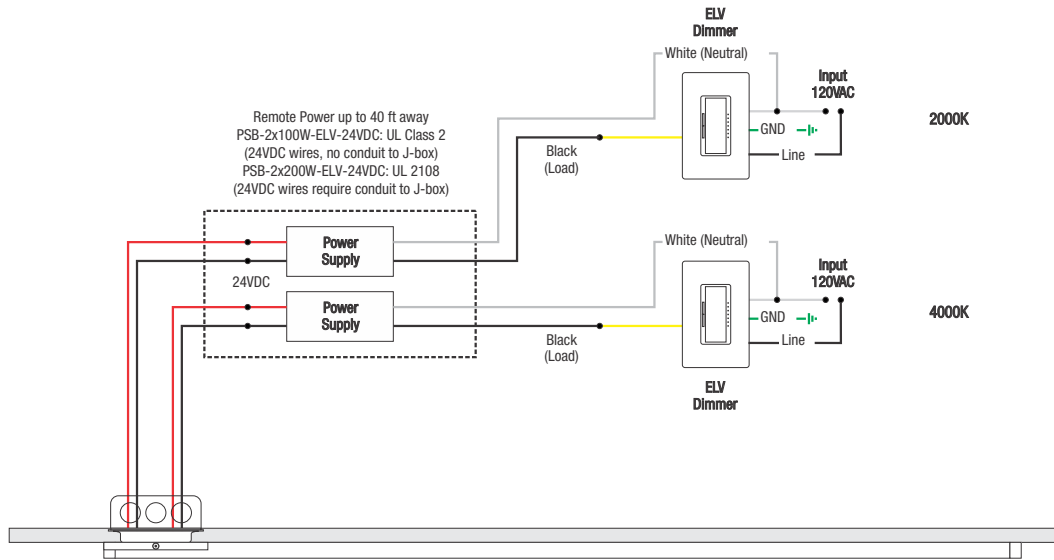
Wiring Diagram: Wiring diagram for Tunable White with Dual ELV Dimmers

Application: ELV dimming for Zip Ceiling, Split Canopy, Tunable White 2000K-4000K

Remote Power Class 2, 24VDC output: 120VAC input

Supplies: PSB-2X100W-ELV-24VDC : Class 2 (24VDC wires, no conduit to J-box)
 PSB-2X200W-ELV-24VDC : UL 2108 (24VDC wires require conduit to J-box)

Dimming: Dimmable with ELV dimmer: Legrand, Adorne ADTP703TU;
 Lutron: Diva DVELV-300P, Skylark SELVz-300P, Maestro MAELV-600 and Radio Ra 2



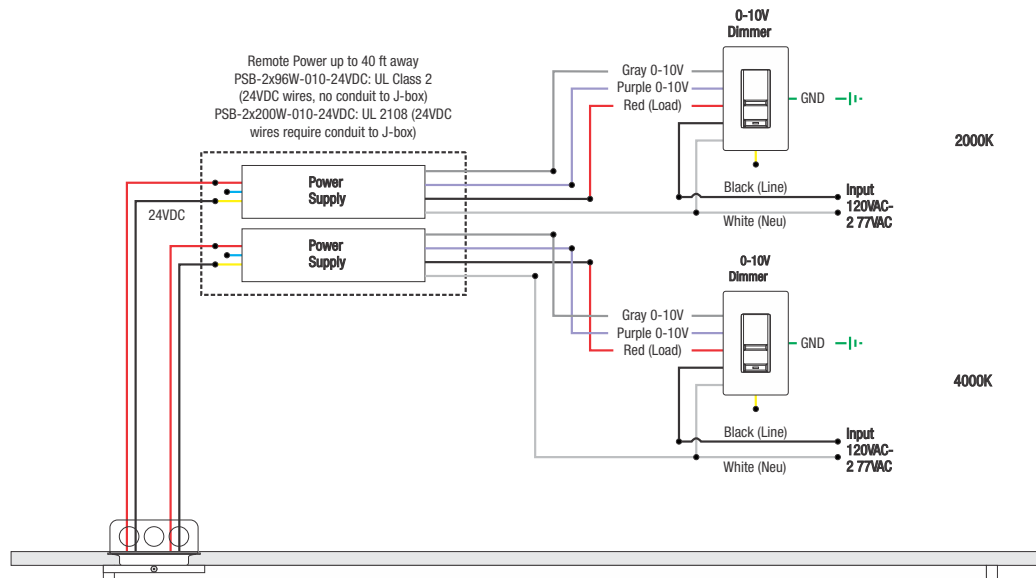
Wiring Diagram: Wiring diagram for Tunable White with Dual 0-10 Volt Dimmers

Application: 0-10 dimming for Zip Ceiling, Split Canopy, Tunable White 2000K-4000K





Remote Power Class 2, 24VDC output: 120/277 VAC input






Supplies: PSB-2X96W-010-24VDC : Class 2 (24VDC wires, no conduit to J-box)
 PSB-2X200W-010-24VDC : UL 2108 (24VDC wires require conduit to J-box)

Dimming: Dimmable with 0-10 dimmer: Philips: Sunrise SR1200ZTUNV; Lutron: Diva DVTW-WH, Nova-T NTSTV-DV-XX, Graftix Eye QS QSGRJ-XP, Radio RA2 RRD-1-ND; Leviton: LEV40050, IP710-LFZ; Legrand ADPD4FBL3P2W4
 Lutron: Diva DVELV-300P, Skylark SELVz-300P, Maestro MAELV-600 and Radio Ra 2



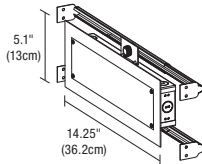
PROJECT	FIXTURE TYPE	DATE
---------	--------------	------

ELECTRONIC LOW-VOLTAGE (ELV) POWER SUPPLIES & RECOMMENDED DIMMERS ¹				
ORDERING CODES	PS-60L-ELV-24VDC	PSB-60W-ELV-24VDC	PSB-2X60W-ELV-24VDC	PSB-100W-ELV-24VDC
				
SPECIFICATIONS				
MAXIMUM LOAD	60W-NON-IC, 50W-IC (FITS IN JBOX)	60W	2X60W	96W
INPUT VOLTAGE	120VAC	120VAC	120VAC	120VAC
OUTPUT VOLTAGE	24VDC	24VDC	24VDC	24VDC
DIMENSIONS	2.25" X 1.25" X 0.83"	8.125" X 2" X 1.75"	12.15" X 6.48" X 2.18"	9.25" X 3.5" X 2"
CLASSIFICATION	CLASS 2	CLASS 2	CLASS 2	CLASS 2
IN WALL MOUNTING	N/A	PSB-60W-ELV-24VDC-IW	PSB-2X60W-ELV-24VDC-IW	PSB-100W-ELV-24VDC-IW
DIMMING AND CONTROLS				
LUTRON DIVA: DVELV-300P	•	•	•	•
LUTRON SKYLARK: SELV-300P	•	•	•	•
LUTRON RADIO RA2: RRD-6NA	N/A	•	•	•
LUTRON MAESTRO: MAELV-600	•	•	•	•
LEGRAND ADORNE: ADTP-703TUM4	N/A	•	•	•

ELECTRONIC LOW-VOLTAGE (ELV) POWER SUPPLIES & RECOMMENDED DIMMERS ¹					
ORDERING CODES	PSB-2X100W-ELV-24VDC	PSB-3X100W-ELV-24VDC	PSB-4X100W-ELV-24VDC	PSB-200W-ELV-24VDC	PSB-2X200W-ELV-24VDC
					
SPECIFICATIONS					
MAXIMUM LOAD	2X96W	3X96W	4X96W	200W	2X200W
INPUT VOLTAGE	120VAC	120VAC	120VAC	120VAC	120VAC
OUTPUT VOLTAGE	24VDC	24VDC	24VDC	24VDC	24VDC
DIMENSIONS	12.15" X 6.48" X 2.18"	14" X 10" X 3"	17" X 13" X 3"	12.15" X 6.48" X 2.18"	14" X 10" X 3"
CLASSIFICATION	CLASS 2	CLASS 2	CLASS 2	UL2108*	UL2108*
IN WALL MOUNTING	PSB-2X100W-ELV-24VDC-IW	N/A	N/A	PSB-200W-ELV-24VDC-IW	N/A
DIMMING AND CONTROLS					
LUTRON DIVA: DVELV-300P	•	•	•	•	•
LUTRON SKYLARK: SELV-300P	•	•	•	•	•
LUTRON RADIO RA2: RRD-6NA	•	•	•	•	•
LUTRON MAESTRO: MAELV-600	•	•	•	•	•
LEGRAND ADORNE: ADTP-703TUM4	•	•	•	•	•

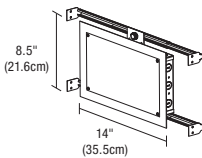
¹24K - 57K color temperatures are compatible with 0-10V, ELV, and Lutron Hi-lume® Power Supplies. Warm Dim (27D, 30D) color temperatures are only compatible with ELV power supplies. Tunable White (2K4K) color temperature is compatible with 0-10V, ELV, DMX, and Lutron Hi-lume® Power Supplies.

*Classification: UL2108 -24VDC over 100 watts, wires must be in conduit from Remote Power Supply to Junction Box in ceiling.



5.1 x 14.25 inch In-Wall Mounting Kit: Includes power supply, box cover, and stud hangers for installing Junction Box in wall. Select "IW" in the options section of compatible power supply ordering codes if an In-Wall Mounting Kit is needed.

Ordering Codes: PSB-60W-ELV-24VDC-IW, PSB-100W-ELV-24VDC-IW



8.5 x 14 inch In-Wall Mounting Kit: Includes power supply, box cover, and stud hangers for installing Junction Box in wall. Select "IW" in the options section of compatible power supply ordering codes if an In-Wall Mounting Kit is needed.

Ordering Codes: PSB-2x60W-ELV-24VDC-IW, PSB-2x100W-ELV-24VDC-IW, PSB-200W-ELV-24VDC-IW

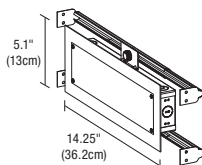
PROJECT	FIXTURE TYPE	DATE
---------	--------------	------

0-10 VOLT (010) POWER SUPPLIES & RECOMMENDED DIMMERS†				
ORDERING CODES	PSB-25W-010-24VDC	PSB-60W-010-24VDC	PSB-96W-010-24VDC	PSB-2X96W-010-24VDC
SPECIFICATIONS				
MAXIMUM LOAD	25W	60W	96W	2X96W
INPUT VOLTAGE	120VAC	120-277VAC	120-277VAC	120-277VAC
OUTPUT VOLTAGE	24VDC	24VDC	24VDC	24VDC
DIMENSIONS	12.4" X 3.12" X 2.18"	12.4" X 3.12" X 2.18"	12.4" X 3.12" X 2.18"	12.15" X 6.48" X 2.18"
CLASSIFICATION	CLASS 2	CLASS 2	CLASS 2	CLASS 2
IN WALL MOUNTING	PSB-25W-010-24VDC-IW	PSB-60W-010-24VDC-IW	PSB-96W-010-24VDC-IW	PSB-2X96W-010-24VDC-IW
DIMMING AND CONTROLS				
PHILIPS SUNRISE: SR1200ZTUNV	•	•	•	•
LUTRON DIVA: DVTV-WH	•	•	•	•
LUTRON NOVA T: NTSTV-DV-XX	•	•	•	•
LUTRON GRAFIX EYE QS: QSGRJ-XP	•	•	•	•
LUTRON RADIO RA2: RRD-10ND	•	•	•	•
LEVITON: LEV40050	•	•	•	•
LEVITON IP710-LFZ	•	•	•	•
LEGRAND: ADPD4FBL3P2W4	•	•	•	•

0-10 VOLT (010) POWER SUPPLIES & RECOMMENDED DIMMERS†				
ORDERING CODES	PSB-3X96W-010-24VDC	PSB-4X96W-010-24VDC	PSB-200W-010-24VDC	PSB-2X200W-010-24VDC
SPECIFICATIONS				
MAXIMUM LOAD	3X96W	4X96W	200W	2X200W
INPUT VOLTAGE	120-277VAC	120-277VAC	120VAC	120VAC
OUTPUT VOLTAGE	24VDC	24VDC	24VDC	24VDC
DIMENSIONS	14" X 10" X 3"	17" X 13" X 3"	12.15" X 6.48" X 2.18"	14" X 10" X 3"
CLASSIFICATION	CLASS 2	CLASS 2	UL2108*	UL2108*
IN WALL MOUNTING	N/A	N/A	PSB-200W-010-24VDC-IW	N/A
DIMMING AND CONTROLS				
PHILIPS SUNRISE: SR1200ZTUNV	•	•	•	•
LUTRON DIVA: DVTV-WH	•	•	•	•
LUTRON NOVA T: NTSTV-DV-XX	•	•	•	•
LUTRON GRAFIX EYE QS: QSGRJ-XP	•	•	•	•
LUTRON RADIO RA2: RRD-10ND	•	•	•	•
LEVITON: LEV40050	•	•	•	•
LEVITON IP710-LFZ	•	•	•	•
LEGRAND: ADPD4FBL3P2W4	•	•	•	•

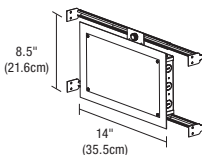
*24K - 57K color temperatures are compatible with 0-10V, ELV, and Lutron Hi-lume® Power Supplies. Warm Dim (27D, 30D) color temperatures are only compatible with ELV power supplies. Tunable White (2K4K) color temperature is compatible with 0-10V, ELV, DMX, and Lutron Hi-lume® Power Supplies.

*Classification: UL2108 -24VDC over 100 watts, wires must be in conduit from Remote Power Supply to Junction Box in ceiling.



5.1 x 14.25 inch In-Wall Mounting Kit: Includes power supply, box cover and stud hangers for installing Junction Box in wall. Select "IW" in the options section of compatible power supply ordering codes if an In-Wall Mounting Kit is needed.

Ordering Codes: PSB-25W-010-24VDC-IW, PSB-60W-010-24VDC-IW, PSB-96W-010-24VDC-IW



8.5 x 14 inch In-Wall Mounting Kit: Includes power supply, box cover and stud hangers for installing Junction Box in wall. Select "IW" in the options section of compatible power supply ordering codes if an In-Wall Mounting Kit is needed.

Ordering Codes: PSB-2X96W-010-24VDC-IW, PSB-200W-010-24VDC-IW

PROJECT	FIXTURE TYPE	DATE
---------	--------------	------




ZIP CEILING WITH REMOTE POWER

REV.12.06.17

DESIGNED BY GREGORY KAY | MADE IN USA

Required Components: 24VDC Lutron Compatible Power Supply

LUTRON HI-LUME® PREMIER .1% ECOSYSTEM® 3-WIRE POWER SUPPLY & RECOMMENDED CONTROLLERS†

ORDERING CODES	<p>L3D0-96W24V-U</p> 
SPECIFICATIONS	
MAXIMUM LOAD	96W
INPUT VOLTAGE	120-277VAC
OUTPUT VOLTAGE	24VDC
DIMENSIONS	10.5" X 5.5" X 2"
CLASSIFICATION	CLASS 2
DIMMING AND CONTROLS	
RADIO RA2	•
HOMEWORKS QS	•
PHPM-3F-120	•
PHPM-3F-DV	•
BCI-0-10	•

†24K - 57K color temperatures are compatible with 0-10V, ELV, and Lutron Hi-lume® Power Supplies. Warm Dim (27D, 30D) color temperatures are only compatible with ELV power supplies. Tunable White (2K4K) color temperature is compatible with 0-10V, ELV, DMX, and Lutron Hi-lume® Power Supplies. Dynamic Color (RGB) and Static Color (Blue, Green, or Red) are compatible with DMX Power Supplies.

PROJECT		FIXTURE TYPE		DATE	
---------	--	--------------	--	------	--

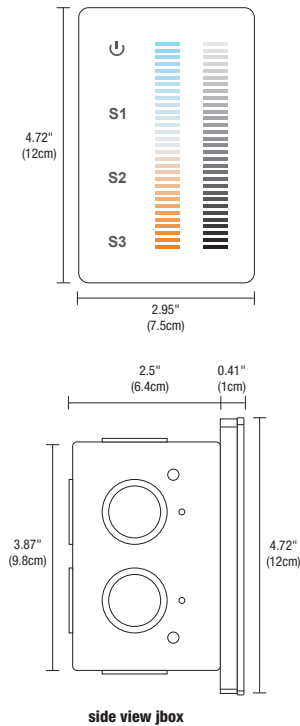


ZIP CEILING WITH REMOTE POWER

TUNABLE WHITE TOUCH CONTROLLER DMX

REV.12.06.17

DESIGNED BY GREGORY KAY | MADE IN USA



Description:

The Tunable White Touch Controller is a full-touch controller that offers fast and accurate color temperature adjustment and independent brightness dimming of a single zone. Designed for 2K4K, tunable white and dual-color LED installations, this controller adjusts color temperature and brightness for warm and cool white LEDs. It also saves 3 preset scenes. Independent smooth dimming with 256 level brightness adjustment enables the DMX controller to achieve many colors within the full LED spectrum. Controller includes a power adapter that fits in junction box (not included) behind the controller. It contains an illuminated back light when powered off. Must have junction box (not included) with a minimum depth of 2.5 inches and 3.87 inches high.

Applications:

Indoor

Installation:

Fits in a single gang 2.5 inch deep junction box, not to be used with a multi gang box

Power Input:

120-277VAC

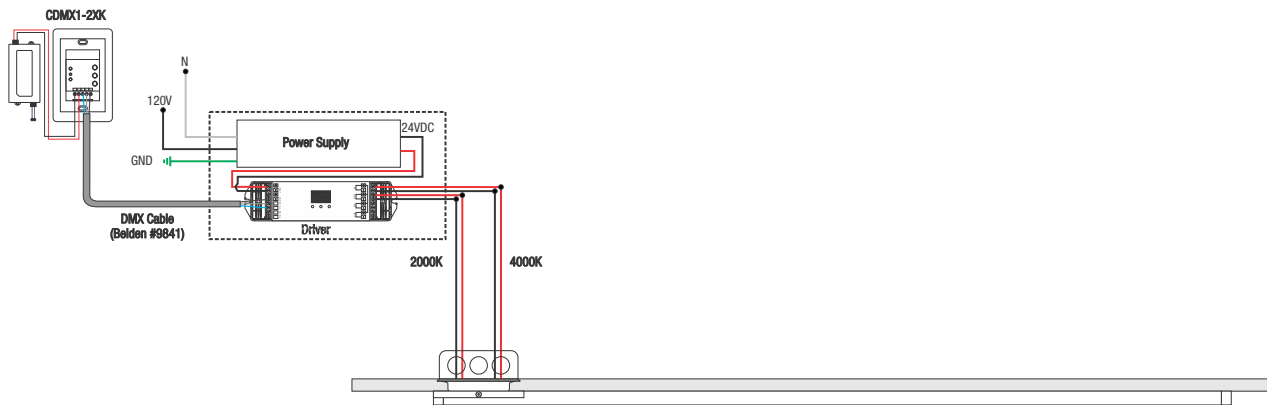
Compatible Power Supplies (Sold Separately):

- PSB-100W-24VDC-2XK 100W output, 120-277V Input
- PSB-2X100W-24VDC-2XK 2x100W output, 120-277V Input
- PSB-3X100W-24VDC-2XK 3x100W output, 120-277V Input
- PSB-4X100W-24VDC-2XK 4x100W output, 120-277V Input

Output Signal:

USITT DMX 512 (1990)

Product	Type	Finish
CDMX1	2XK	WH
<small>CDMX1 DMX Single Zone Touch Controller</small>	<small>2XK 2-Color</small>	<small>WH White</small>



PROJECT	FIXTURE TYPE	DATE
---------	--------------	------



ZIP CEILING WITH REMOTE POWER









24VDC DMX 2XK TUNABLE WHITE COMPATIBLE POWER SUPPLIES

REV.12.06.17

DESIGNED BY GREGORY KAY | MADE IN USA

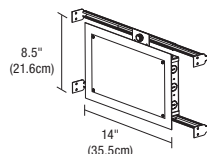
Required Components: 24VDC DMX 2XK Tunable White Compatible Power Supplies

DYNAMIC COLOR CHANGING (DMX) POWER SUPPLIES & RECOMMENDED CONTROLLERS [†]				
ORDERING CODES	PSB-100W-24VDC-2XK	PSB-2X100W-24VDC-2XK	PSB-3X100W-24VDC-2XK	PSB-4X100W-24VDC-2XK
				
SPECIFICATIONS				
MAXIMUM LOAD	100W	2X100W	3X100W	4X100W
INPUT VOLTAGE	120-277VAC	120-277VAC	120-277VAC	120-277VAC
OUTPUT VOLTAGE	24VDC	24VDC	24VDC	24VDC
DIMENSIONS	12.14" X 6.48" X 2.18"	14" X 10" X 3"	17" X 13" X 3"	17" X 13" X 3"
CLASSIFICATION	CLASS 2	CLASS 2	CLASS 2	CLASS 2
IN WALL MOUNTING	PSB-100W-24VDC-2XK-IW	N/A	N/A	N/A
DIMMING AND CONTROLS				
TOUCH SCREEN CONTROLLER (CTP)	•	•	•	•
COLOR DIAL CONTROLLER (CDP)	•	•	•	•
DMX 1 ZONE RGBW TOUCH CONTROLLER (CDMX1-RGBW)	•	•	•	•
TUNABLE WHITE TOUCH CONTROLLER (CDMX1-2XK)	•	•	•	•

DYNAMIC COLOR CHANGING (DMX) POWER SUPPLIES & RECOMMENDED CONTROLLERS [†]			
ORDERING CODES	PSB-200W-24VDC-2XK	PSB-400W-24VDC-2XK	PSB-100W-24VDC-DALI
			
SPECIFICATIONS			
MAXIMUM LOAD	200W	400W	100W
INPUT VOLTAGE	120-240VAC	120-240VAC	120-277VAC
OUTPUT VOLTAGE	24VDC	24VDC	24VDC
DIMENSIONS	12" X 8" X 4.3"	12" X 8" X 6.5"	12.14" X 6.48" X 2.18"
CLASSIFICATION	UL2108*	UL2108*	UL2108*
IN WALL MOUNTING	N/A	N/A	PSB-100W-24VDC-DALI-IW
DIMMING AND CONTROLS			
TOUCH SCREEN CONTROLLER (CTP)	•	•	•
COLOR DIAL CONTROLLER (CDP)	•	•	•
DMX 1 ZONE RGBW TOUCH CONTROLLER (CDMX1-RGBW)	•	•	•
TUNABLE WHITE TOUCH CONTROLLER (CDMX1-2XK)	•	•	•
DALI COMPATIBLE	•	•	•

[†]24K - 57K color temperatures are compatible with 0-10V, ELV, and Lutron Hi-lume® Power Supplies. Warm Dim (27D, 30D) color temperatures are only compatible with ELV power supplies. Tunable White (2K4K) color temperature is compatible with 0-10V, ELV, DMX, and Lutron Hi-lume® Power Supplies. Dynamic Color (RGB) and Static Color (Blue, Green, or Red) are compatible with DMX Power Supplies.

*Classification: UL2108 - *24VDC over 100 watts, wires must be in conduit from Remote Power Supply to JBOX.



8.5 x 14 inch In-Wall Mounting Kit: Includes power supply, box cover and stud hangers for installing Junction Box in wall. Select "IW" in the options section of compatible power supply ordering codes if an In-Wall Mounting Kit is needed.

Ordering Codes: PSB-100W-24VDC-2XK-IW, PSB-100W-24VDC-2XK-IW

PROJECT	FIXTURE TYPE	DATE
---------	--------------	------

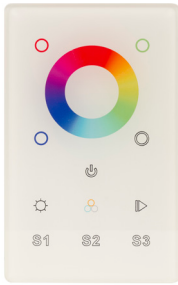


ZIP CEILING WITH REMOTE POWER

DMX 1 ZONE RGBW TOUCH CONTROLLER

REV.12.06.17

DESIGNED BY GREGORY KAY | MADE IN USA



Description:

Full touch controller offers fast and accurate color tone adjustment and independent brightness control. The 1 zone controller can adjust RGB and RGBW LEDs smoothly and accurately. Independent smooth dimming of each channel enables the controller to achieve millions of colors. For indoor applications only, and includes a Power Adapter to operate the controller.

Applications:

Indoor

Installation:

Fits in a single gang junction box, not to be used with a multi gang box

Power Input:

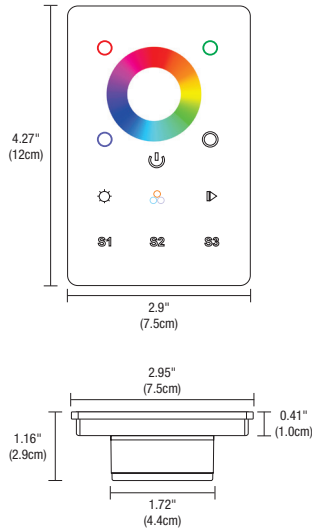
120-277VAC

Compatible Power Supplies (Sold Separately):

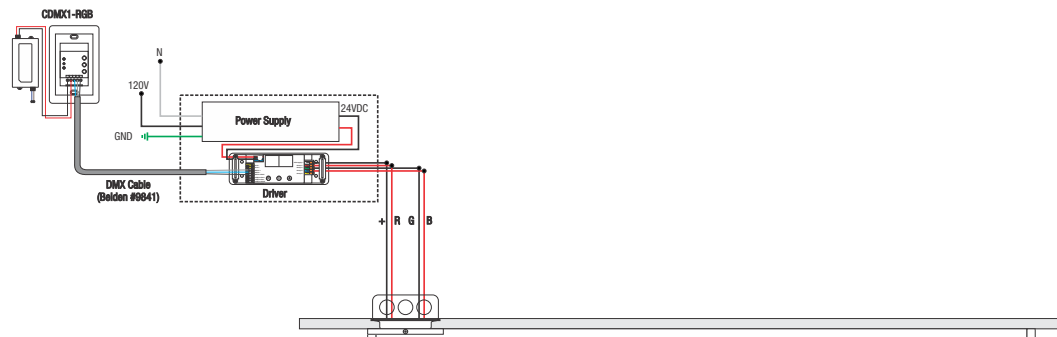
- PSB-100W-24VDC-RGB 100W output, 120-277V Input
- PSB-200W-24VDC-RGB 100W output, 120-277V Input
- PSB-400W-24VDC-RGB 100W output, 120-277V Input
- PSB-2X100W-24VDC-RGB 2x100W output, 120-277V Input
- PSB-3X100W-24VDC-RGB 3x100W output, 120-277V Input
- PSB-4X100W-24VDC-RGB 4x100W output, 120-277V Input

Output Signal:

USITT DMX 512 (1990)



Product	Type	Finish
CDMX1	RGBW	WH
<small>CDMX1 DMX 1 Zone Touch Controller</small>	<small>RGBW RGB & RGBW</small>	<small>WH White</small>



PROJECT		FIXTURE TYPE		DATE	
---------	--	--------------	--	------	--



ZIP CEILING WITH REMOTE POWER






24VDC DMX RGB COMPATIBLE POWER SUPPLIES






REV.12.06.17

DESIGNED BY GREGORY KAY | MADE IN USA

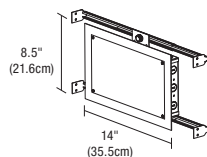
Required Components: 24VDC DMX RGB Compatible Power Supplies

DYNAMIC COLOR CHANGING (DMX) POWER SUPPLIES & RECOMMENDED CONTROLLERS [†]					
ORDERING CODES	PS-25W-24VDC	PSB-100W-24VDC-RGB	PSB-2X100W-24VDC-RGB	PSB-3X100W-24VDC-RGB	PSB-4X100W-24VDC-RGB
					
SPECIFICATIONS					
MAXIMUM LOAD	25W	100W	2X100W	3X100W	4X100W
INPUT VOLTAGE	100-277VAC	120-277VAC	120-277VAC	120-277VAC	120-277VAC
OUTPUT VOLTAGE	24VDC	24VDC	24VDC	24VDC	24VDC
DIMENSIONS	5.25" X 1.57" X 1.2"	12.14" X 6.48" X 2.18"	14" X 10" X 3"	17" X 13" X 3"	17" X 13" X 3"
CLASSIFICATION	CLASS 2	CLASS 2	CLASS 2	CLASS 2	CLASS 2
IN WALL MOUNTING	N/A	PSB-100W-24VDC-RGB-IW	N/A	N/A	N/A
DIMMING AND CONTROLS					
TOUCH SCREEN CONTROLLER (CTP)	N/A	•	•	•	•
COLOR DIAL CONTROLLER (CDP)	N/A	•	•	•	•
DMX 1 ZONE RGBW TOUCH CONTROLLER (CDMX1-RGBW)	N/A	•	•	•	•
TUNABLE WHITE TOUCH CONTROLLER (CDMX1-2XK)	N/A	•	•	•	•

DYNAMIC COLOR CHANGING (DMX) POWER SUPPLIES & RECOMMENDED CONTROLLERS [†]			
ORDERING CODES	PSB-200W-24VDC-RGB	PSB-400W-24VDC-RGB	PSB-100W-24VDC-DALI
			
SPECIFICATIONS			
MAXIMUM LOAD	200W	400W	100W
INPUT VOLTAGE	120-240VAC	120-240VAC	120-277VAC
OUTPUT VOLTAGE	24VDC	24VDC	24VDC
DIMENSIONS	12" X 8" X 4.3"	12" X 8" X 6.5"	12.14" X 6.48" X 2.18"
CLASSIFICATION	UL2108*	UL2108*	UL2108*
IN WALL MOUNTING	N/A	N/A	PSB-100W-24VDC-DALI-IW
DIMMING AND CONTROLS			
TOUCH SCREEN CONTROLLER (CTP)	•	•	•
COLOR DIAL CONTROLLER (CDP)	•	•	•
DMX 1 ZONE RGBW TOUCH CONTROLLER (CDMX1-RGBW)	•	•	•
TUNABLE WHITE TOUCH CONTROLLER (CDMX1-2XK)	•	•	•
DALI COMPATIBLE	•	•	•

[†]24K - 57K color temperatures are compatible with 0-10V, ELV, and Lutron Hi-lume® Power Supplies. Warm Dim (27D, 30D) color temperatures are only compatible with ELV power supplies. Tunable White (2K4K) color temperature is compatible with 0-10V, ELV, DMX, and Lutron Hi-lume® Power Supplies. Dynamic Color (RGB) and Static Color (Blue, Green, or Red) are compatible with DMX Power Supplies.

Classification: UL2108 -*24VDC over 100 watts, wires must be in conduit from Remote Power Supply to JBOX.



8.5 x 14 inch In-Wall Mounting Kit: Includes power supply, box cover and stud hangers for installing Junction Box in wall. Select "IW" in the options section of compatible power supply ordering codes if an In-Wall Mounting Kit is needed.

Ordering Codes: PSB-100W-24VDC-RGB-IW, PSB-100W-24VDC-RGB-IW

PROJECT	FIXTURE TYPE	DATE
---------	--------------	------

Length Chart: Actual lengths for Zip Suspension Downlight with Remote Power - End Feed

22K, 27K, 30K, 35K, 40K, 57K, 2K4K, & RGB								
ORDERING CODE (NOMINAL SIZE)	ACTUAL LENGTH (INCHES)	ACTUAL LENGTH (CHROME)	ORDERING CODE (NOMINAL SIZE)	ACTUAL LENGTH (INCHES)	ACTUAL LENGTH (CHROME)	ORDERING CODE (NOMINAL SIZE)	ACTUAL LENGTH (INCHES)	ACTUAL LENGTH (CHROME)
12	13.1	13.1	171	171.9	172.3	329	330.7	331.1
15	15.5	15.5	173	174.3	174.7	332	333.1	333.5
17	17.9	17.9	176	176.7	177.1	334	335.5	335.9
20	20.3	20.3	178	179.1	179.5	336	337.9	338.3
22	22.7	22.7	180	181.5	181.9	339	340.3	341.1
24	25.1	25.1	183	183.9	184.3	341	342.7	343.5
27	27.5	27.5	185	186.3	186.7	344	345.0	345.9
29	29.9	29.9	188	188.7	189.1	346	347.4	348.3
32	32.3	32.3	190	191.1	191.5	348	349.8	350.7
34	34.7	34.7	192	193.5	193.9	351	352.2	353.0
36	37.1	37.1	195	195.9	196.3	353	354.6	355.4
39	39.5	39.5	197	198.3	198.7	356	357.0	357.8
41	41.9	41.9	200	200.7	201.1	358	359.4	360.2
44	44.3	44.3	202	203.1	203.5	360	361.8	362.6
46	46.7	46.7	204	205.5	205.9	363	364.6	365.0
48	49.1	49.1	207	207.9	208.3	365	367.0	367.4
51	51.5	51.5	209	210.3	210.7	368	369.4	369.8
53	53.9	53.9	212	212.7	213.1	370	371.8	372.2
56	56.3	56.3	214	215.1	215.5	372	374.2	374.6
58	58.7	58.7	216	217.5	217.9	375	376.6	377.0
60	61.1	61.1	219	219.9	220.3	377	379.0	379.4
63	63.5	63.5	221	222.3	222.7	380	381.4	381.8
65	65.9	65.9	224	224.7	225.1	382	383.8	384.2
68	68.3	68.3	226	227.1	227.5	384	386.2	386.6
70	70.7	70.7	228	229.5	229.9	387	388.6	389.0
72	73.1	73.1	231	231.9	232.3	389	391.0	391.4
75	75.5	75.5	233	234.3	234.7	392	393.4	393.8
77	77.9	77.9	236	236.7	237.1	394	395.8	396.2
80	80.3	80.3	238	239.1	239.5	396	398.2	398.6
82	82.7	82.7	240 - 2K4K, RGB max	241.5	241.9	399	400.6	401.0
84	85.1	85.1	243	244.3	244.7	401	403.0	403.4
87	87.5	87.9	245	246.7	246.7	404	405.4	405.8
89	89.9	90.3	248	249.1	249.1	406	407.8	408.2
92	92.3	92.7	250	251.5	251.5	408	410.2	410.6
94	94.7	95.1	252	253.9	253.9	411	412.6	413.0
96	97.1	97.5	255	256.3	256.7	413	415.0	415.4
99	99.5	99.9	257	258.7	259.1	416	417.4	417.8
101	101.9	102.3	260	261.1	261.5	418	419.8	420.2
104	104.3	104.7	262	263.5	263.9	420	422.2	422.6
106	106.7	107.1	264	265.9	266.3	423	424.6	425.4
108	109.1	109.5	267	268.3	268.7	425	427.0	427.8
111	111.5	111.9	269	270.7	271.1	428	429.4	430.2
113	113.9	114.3	272	273.1	273.5	430	431.8	432.6
116	116.3	116.7	274	275.5	275.9	432	434.2	435.0
118	118.7	119.1	276	277.9	278.3	435	436.6	437.4
120	121.1	121.5	279	280.3	280.7	437	439.0	439.8
123	123.9	123.9	281	282.7	283.1	440	441.4	442.2
125	126.3	126.3	284	285.1	285.5	442	443.8	444.6
128	128.7	128.7	286	287.5	287.9	444	446.2	447.0
130	131.1	131.1	288	289.9	290.3	447	448.6	449.4
132	133.5	133.5	291	292.3	292.7	449	451.0	451.8
135	135.9	135.9	293	294.7	295.1	452	453.4	454.2
137	138.3	138.3	296	297.1	297.5	454	455.8	456.6
140	140.7	140.7	298	299.5	299.9	456	458.2	459.0
142	143.1	143.1	300	301.9	302.3	459	460.6	461.4
144	145.5	145.5	303	304.3	304.7	461	463.0	463.8
147	147.9	147.9	305	306.7	307.1	464	465.4	466.2
149	150.3	150.3	308	309.1	309.5	466	467.8	468.6
152	152.7	152.7	310	311.5	311.9	468	470.2	471.0
154	155.1	155.1	312	313.9	314.3	471	472.6	473.4
156	157.5	157.5	315	316.3	316.7	473	475.0	475.8
159	159.9	159.9	317	318.7	319.1	476	477.4	478.2
161	162.3	162.3	320	321.1	321.5	478	479.8	480.6
164	164.7	164.7	322	323.5	323.9	480	482.2	483.0
166	167.1	167.1	324	325.9	326.3	483	485.0	485.4
168	169.5	169.5	327	328.3	328.7	485	487.4	487.8

Continued on next page

PROJECT		FIXTURE TYPE		DATE	
---------	--	--------------	--	------	--



ZIP CEILING WITH REMOTE POWER



REV.12.06.17

DESIGNED BY GREGORY KAY | MADE IN USA

Length Chart: Actual lengths for Zip Suspension Downlight with Remote Power - End Feed

22K, 27K, 30K, 35K, 40K, & 57K					
ORDERING CODE (NOMINAL SIZE)	ACTUAL LENGTH (INCHES)	ACTUAL LENGTH (CHROME)	ORDERING CODE (NOMINAL SIZE)	ACTUAL LENGTH (INCHES)	ACTUAL LENGTH (CHROME)
488	489.8	490.2	646	648.6	649.4
490	492.2	492.6	648	651.0	651.8
492	494.6	495.0	651	653.4	654.2
495	497.0	497.4	653	655.8	656.6
497	499.4	499.8	656	658.2	659.0
500	501.8	502.2	658	660.6	661.4
502	504.2	504.6	660	663.0	663.8
504	506.6	507.0	663	665.4	666.2
507	509.0	509.8	665	667.8	668.6
509	511.4	512.2	668	670.2	671.0
512	513.8	514.6	670	672.6	673.4
514	516.2	517.0	672	675.0	675.8
516	518.6	519.4	675	677.4	678.6
519	521.0	521.8	677	679.8	681.0
521	523.4	524.2	680	682.2	683.4
524	525.8	526.6	682	684.6	685.8
526	528.2	529.0	684	687.0	688.2
528	530.6	531.4	687	689.4	690.6
531	533.0	533.8	689	691.8	693.0
533	535.4	536.2	692	694.2	695.4
536	537.8	538.6	694	696.6	697.8
538	540.2	541.0	696	699.0	700.2
540	542.6	543.4	699	701.4	702.6
543	545.0	545.8	701	703.8	705.0
545	547.4	548.2	704	706.2	707.4
548	549.8	550.6	706	708.6	709.8
550	552.2	553.0	708	711.0	712.2
552	554.6	555.4	711	713.4	714.6
555	557.0	557.8	713	715.8	717.0
557	559.4	560.2	716	718.2	719.4
560	561.8	562.6	718	720.6	721.8
562	564.2	565.0	720	723.0	724.2
564	566.6	567.4			
567	569.0	569.8			
569	571.4	572.2			
572	573.8	574.6			
574	576.2	577.0			
576	578.6	579.4			
579	581.0	581.8			
581	583.4	584.2			
584	585.8	586.6			
586	588.2	589.0			
588	590.6	591.4			
591	593.0	594.2			
593	595.4	596.6			
596	597.8	599.0			
598	600.2	601.4			
600	602.6	603.8			
603	605.4	606.2			
605	607.8	608.6			
608	610.2	611.0			
610	612.6	613.4			
612	615.0	615.8			
615	617.4	618.2			
617	619.8	620.6			
620	622.2	623.0			
622	624.6	625.4			
624	627.0	627.8			
627	629.4	630.2			
629	631.8	632.6			
632	634.2	635.0			
634	636.6	637.4			
636	639.0	639.8			
639	641.4	642.2			
641	643.8	644.6			
644	646.2	647.0			

PROJECT		FIXTURE TYPE		DATE	
---------	--	--------------	--	------	--

Length Chart: Actual lengths for Zip Suspension Downlight with Remote Power - End Feed

27D, 30D, (5W)								
ORDERING CODE (NOMINAL SIZE)	ACTUAL LENGTH (INCHES)	ACTUAL LENGTH (CHROME)	ORDERING CODE (NOMINAL SIZE)	ACTUAL LENGTH (INCHES)	ACTUAL LENGTH (CHROME)	ORDERING CODE (NOMINAL SIZE)	ACTUAL LENGTH (INCHES)	ACTUAL LENGTH (CHROME)
12	13.1	13.1	171	172.5	172.9	330	331.5	332.3
15	16.1	16.1	174	175.5	175.9	333	334.5	335.3
18	19.1	19.1	177	178.5	178.9	336	337.5	338.3
21	22.1	22.1	180	181.5	181.9	339	340.5	341.7
24	25.1	25.1	183	184.5	184.9	342	343.5	344.7
27	28.1	28.1	186	187.5	187.9	345	346.5	347.7
30	31.1	31.1	189	190.5	190.9	348	349.5	350.7
33	34.1	34.1	192	193.5	193.9	351	352.5	353.7
36	37.1	37.1	195	196.5	196.9	354	355.5	356.7
39	40.1	40.1	198	199.5	199.9	357	358.5	359.7
42	43.1	43.1	201	202.5	202.9	360	361.5	362.7
45	46.1	46.1	204	205.5	205.9	363	364.9	365.7
48	49.1	49.1	207	208.5	208.9	366	367.9	368.7
51	52.1	52.1	210	211.5	211.9	369	370.9	371.7
54	55.1	55.1	213	214.5	214.9	372	373.9	374.7
57	58.1	58.1	216	217.5	217.9	375	376.9	377.7
60	61.1	61.1	219	220.5	220.9	378	379.9	380.7
63	64.1	64.1	222	223.5	223.9	381	382.9	383.7
66	67.1	67.1	225	226.5	226.9	384	385.9	386.7
69	70.1	70.1	228	229.5	229.9	387	388.9	389.7
72	73.1	73.1	231	232.5	232.9	390	391.9	392.7
75	76.1	76.1	234	235.5	235.9	393	394.9	395.7
78	79.1	79.1	237	238.5	238.9	396	397.9	398.7
81	82.1	82.1	240	241.5	241.9	399	400.9	401.7
84	85.1	85.1	243	244.5	244.9	402	403.9	404.7
87	88.1	88.5	246	247.5	247.9	405	406.9	407.7
90	91.1	91.5	249	250.5	250.9	408	409.9	410.7
93	94.1	94.5	252	253.5	253.9	411	412.9	413.7
96	97.1	97.5	255	256.5	257.3	414	415.9	416.7
99	100.1	100.5	258	259.5	260.3	417	418.9	419.7
102	103.1	103.5	261	262.5	263.3	420	421.9	422.7
105	106.1	106.5	264	265.5	266.3			
108	109.1	109.5	267	268.5	269.3			
111	112.1	112.5	270	271.5	272.3			
114	115.1	115.5	273	274.5	275.3			
117	118.1	118.5	276	277.5	278.3			
120	121.1	121.5	279	280.5	281.3			
123	124.5	124.5	282	283.5	284.3			
126	127.5	127.5	285	286.5	287.3			
129	130.5	130.5	288	289.5	290.3			
132	133.5	133.5	291	292.5	293.3			
135	136.5	136.5	294	295.5	296.3			
138	139.5	139.5	297	298.5	299.3			
141	142.5	142.5	300	301.5	302.3			
144	145.5	145.5	303	304.5	305.3			
147	148.5	148.5	306	307.5	308.3			
150	151.5	151.5	309	310.5	311.3			
153	154.5	154.5	312	313.5	314.3			
156	157.5	157.5	315	316.5	317.3			
159	160.5	160.5	318	319.5	320.3			
162	163.5	163.5	321	322.5	323.3			
165	166.5	166.5	324	325.5	326.3			
168	169.5	169.5	327	328.5	329.3			

PROJECT	FIXTURE TYPE	DATE
---------	--------------	------

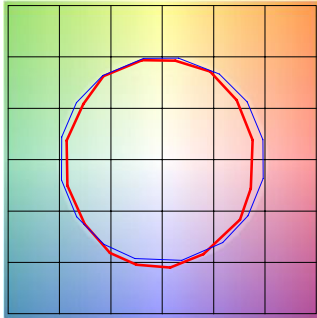
TM 30-15

REV.12.06.17 DESIGNED BY GREGORY KAY | MADE IN USA

TM-30-15 DATA: The data below is for SS2C, SS5C, SS7C, and SS10C bare LED Soft Strips. Consistent color temperatures throughout a single strip and among multiple strips is possible through a 3 phase binning process in which each order is inspected with a color meter to ensure uniformity.

2200K | Rf: 83.9 | Rg: 94.9

COLOR VECTOR GRAPHIC

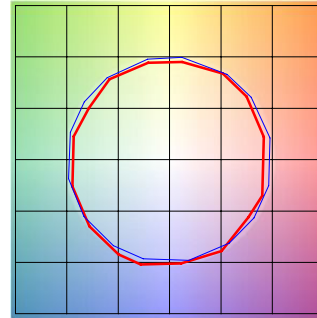


■ Test ■ Reference

HUE BIN	Rf	GRAPHIC SHIFTS %	
		CHROMA	HUE
1	77.6	-10.0%	1.8%
2	80.7	-7.5%	7.0%
3	79.5	-2.9%	8.9%
4	90.5	-3.1%	2.4%
5	93.9	-1.3%	1.9%
6	91.9	-0.9%	-0.2%
7	87.6	-6.3%	-2.7%
8	90.5	-5.4%	2.7%
9	83.8	-4.7%	6.5%
10	81.2	-2.5%	10.0%
11	83.3	3.9%	9.4%
12	86.4	5.6%	2.6%
13	86.2	4.5%	-12.4%
14	64.3	-1.0%	-21.9%
15	85.1	-4.4%	-7.5%
16	75.0	-9.9%	-12.0%

2700K | Rf: 87.7 | Rg: 96.1

COLOR VECTOR GRAPHIC

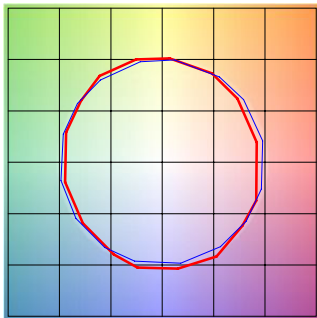


■ Test ■ Reference

HUE BIN	Rf	GRAPHIC SHIFTS %	
		CHROMA	HUE
1	86.4	-5.6%	2.3%
2	89.7	-3.3%	3.1%
3	90.5	-1.5%	3.8%
4	90.0	-4.3%	1.1%
5	92.9	-3.7%	0.2%
6	93.5	-2.5%	-0.8%
7	86.3	-7.2%	2.5%
8	90.7	-4.0%	3.2%
9	85.2	-2.4%	8.1%
10	81.7	0.9%	10.8%
11	85.4	4.5%	8.9%
12	88.7	5.7%	-1.4%
13	88.3	1.3%	-7.9%
14	85.1	2.4%	-10.4%
15	88.1	-4.8%	-2.7%
16	81.7	-4.3%	-10.9%

3000K | Rf: 88.1 | Rg: 99.7

COLOR VECTOR GRAPHIC

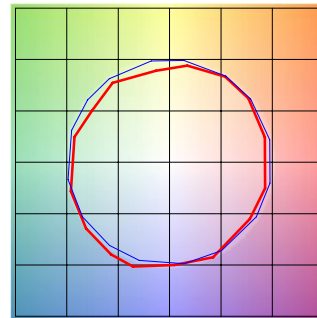


■ Test ■ Reference

HUE BIN	Rf	GRAPHIC SHIFTS %	
		CHROMA	HUE
1	87.7	-5.9%	-0.3%
2	87.9	-4.4%	4.3%
3	82.9	-1.2%	7.9%
4	89.9	0.6%	4.7%
5	92.7	3.0%	3.5%
6	92.7	3.6%	-1.7%
7	90.8	-1.3%	-4.4%
8	93.7	-2.5%	-2.2%
9	91.7	-3.7%	2.3%
10	85.5	-2.8%	7.8%
11	83.3	0.7%	11.0%
12	86.4	5.5%	3.8%
13	90.6	4.6%	-3.6%
14	85.6	5.9%	-8.4%
15	89.5	-0.6%	-5.7%
16	82.6	-2.7%	-12.0%

3500K | Rf: 86.1 | Rg: 95.5

COLOR VECTOR GRAPHIC

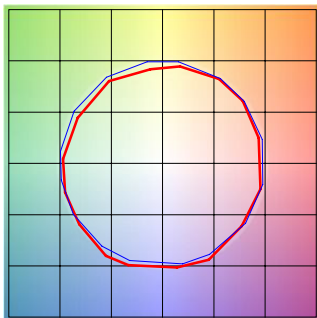


■ Test ■ Reference

HUE BIN	Rf	GRAPHIC SHIFTS %	
		CHROMA	HUE
1	86.6	-4.2%	3.4%
2	91.7	-1.4%	1.8%
3	94.9	-0.7%	0.4%
4	87.9	-4.5%	-4.1%
5	85.9	-10.3%	-2.7%
6	89.8	-5.2%	-0.4%
7	79.6	-9.5%	6.5%
8	87.6	-4.0%	5.7%
9	81.4	-0.5%	11.8%
10	78.3	3.3%	11.4%
11	85.7	6.3%	6.1%
12	86.3	7.1%	-4.6%
13	86.1	-0.7%	-9.6%
14	85.1	0.8%	-10.4%
15	83.4	-4.1%	-5.3%
16	82.5	-3.6%	-5.7%

4000K | Rf: 87.6 | Rg: 96.8

COLOR VECTOR GRAPHIC

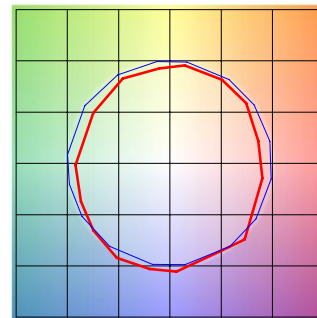


■ Test ■ Reference

HUE BIN	Rf	GRAPHIC SHIFTS %	
		CHROMA	HUE
1	89.0	-3.1%	2.1%
2	93.2	-0.9%	1.3%
3	94.3	-1.1%	0.7%
4	89.5	-4.0%	-2.3%
5	87.6	-7.8%	-1.8%
6	92.2	-4.6%	0.1%
7	87.4	-6.6%	3.6%
8	85.7	-3.8%	7.0%
9	81.5	-1.3%	12.4%
10	80.0	0.9%	11.4%
11	83.3	5.9%	8.7%
12	89.7	4.8%	-0.3%
13	88.5	2.4%	-6.3%
14	92.7	4.0%	-3.8%
15	86.1	-1.6%	-4.5%
16	85.0	-1.4%	-5.0%

5700K | Rf: 80.3 | Rg: 91.5

COLOR VECTOR GRAPHIC



■ Test ■ Reference

HUE BIN	Rf	GRAPHIC SHIFTS %	
		CHROMA	HUE
1	73.8	-11.2%	2.6%
2	83.7	-5.5%	5.8%
3	84.2	-4.0%	5.5%
4	85.8	-3.5%	1.3%
5	85.3	-7.1%	0.6%
6	89.2	-5.8%	-2.2%
7	81.5	-10.7%	1.2%
8	75.7	-9.7%	8.5%
9	74.9	-7.8%	18.8%
10	67.8	-1.6%	18.0%
11	76.1	5.5%	12.0%
12	90.8	4.9%	-1.6%
13	83.6	5.0%	-9.5%
14	81.7	-1.2%	-10.0%
15	69.0	2.0%	-22.8%
16	83.2	-8.5%	-1.0%

PROJECT	FIXTURE TYPE	DATE
---------	--------------	------

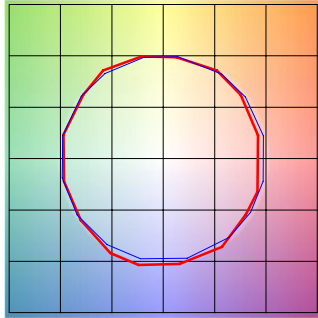
TM 30-15

REV.12.06.17 DESIGNED BY GREGORY KAY | MADE IN USA

TM-30-15 DATA: The data below is for SS2C, SS5C, SS7C, and SS10C bare LED Soft Strips. Consistent color temperatures throughout a single strip and among multiple strips is possible through a 3 phase binning process in which each order is inspected with a color meter to ensure uniformity.

2700D | Rf: 89.5 | Rg: 100.8

COLOR VECTOR GRAPHIC

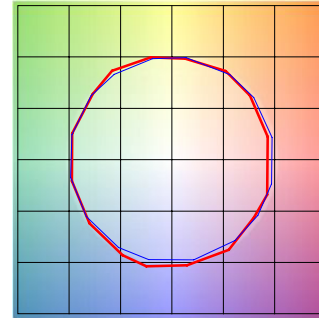


■ Test ■ Reference

HUE BIN	Rf	GRAPHIC SHIFTS %	
		CHROMA	HUE
1	88.8	-5.1%	1.4%
2	89.8	-2.7%	4.1%
3	87.2	0.3%	5.9%
4	92.3	-0.9%	1.0%
5	93.3	1.5%	1.7%
6	92.4	3.6%	-0.2%
7	92.2	-0.9%	-2.4%
8	96.7	-0.4%	-1.1%
9	92.3	-1.2%	3.7%
10	88.9	-0.0%	6.1%
11	86.4	5.1%	7.4%
12	88.2	6.3%	-0.9%
13	87.2	3.8%	-8.1%
14	84.2	3.8%	-11.0%
15	89.8	-2.6%	-4.3%
16	82.7	-3.4%	-11.1%

3000D | Rf: 89.8 | Rg: 101.4

COLOR VECTOR GRAPHIC



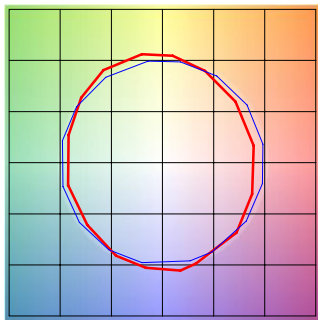
■ Test ■ Reference

HUE BIN	Rf	GRAPHIC SHIFTS %	
		CHROMA	HUE
1	90.2	-4.2%	1.5%
2	90.9	-2.0%	3.7%
3	87.9	0.8%	5.5%
4	92.1	-0.9%	0.6%
5	93.0	1.5%	1.6%
6	92.2	3.9%	-0.2%
7	92.1	-0.3%	-2.0%
8	96.7	0.0%	-1.2%
9	92.5	-0.6%	3.7%
10	88.3	1.1%	7.0%
11	87.2	4.1%	7.4%
12	87.2	6.7%	-1.0%
13	88.2	3.8%	-7.2%
14	85.3	4.3%	-9.9%
15	90.9	-2.2%	-3.6%
16	83.4	-2.2%	-11.2%

TUNABLE WHITE: 2000K - 4000K

2000K only (2K4K) | Rf: 82.8 | Rg: 99.3 | CRI: 86

COLOR VECTOR GRAPHIC

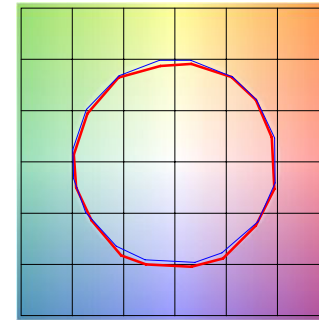


■ Test ■ Reference

HUE BIN	Rf	GRAPHIC SHIFTS %	
		CHROMA	HUE
1	80.1	-9.2%	0.3%
2	77.4	-7.4%	9.0%
3	74.5	-2.3%	12.4%
4	85.3	4.5%	8.6%
5	89.9	7.9%	4.5%
6	88.3	7.2%	-1.8%
7	83.5	1.1%	-10.0%
8	87.1	-4.9%	-6.7%
9	88.3	-5.3%	-0.0%
10	84.6	-5.1%	6.4%
11	84.3	1.0%	9.1%
12	84.2	4.1%	4.7%
13	85.8	7.4%	-11.4%
14	60.8	0.6%	-19.6%
15	77.8	-1.6%	-14.7%
16	78.1	-7.8%	-11.5%

4000K only (2K4K) | Rf: 89.6 | Rg: 99.1 | CRI: 87

COLOR VECTOR GRAPHIC

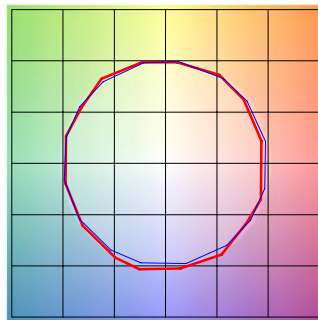


■ Test ■ Reference

HUE BIN	Rf	GRAPHIC SHIFTS %	
		CHROMA	HUE
1	91.3	-2.5%	1.0%
2	95.3	-0.5%	0.5%
3	94.3	-0.7%	1.1%
4	91.1	-3.4%	-1.1%
5	89.5	-5.6%	0.0%
6	94.6	-1.4%	1.3%
7	93.2	-3.0%	2.6%
8	91.3	-1.8%	4.6%
9	86.5	-0.9%	9.1%
10	83.3	-0.5%	9.5%
11	83.3	4.9%	9.0%
12	89.7	4.1%	1.7%
13	90.1	3.6%	-4.3%
14	93.4	5.2%	-2.1%
15	87.4	0.4%	-4.3%
16	86.6	0.4%	-6.1%

2K4K (3000K) | Rf: 90.2 | Rg: 101.4 | CRI: 90+

COLOR VECTOR GRAPHIC



■ Test ■ Reference

HUE BIN	Rf	GRAPHIC SHIFTS %	
		CHROMA	HUE
1	90.9	-3.8%	1.3%
2	91.7	-1.9%	3.3%
3	88.7	0.7%	5.1%
4	92.4	-1.0%	0.7%
5	92.9	0.9%	1.7%
6	93.1	3.3%	-0.6%
7	91.0	-1.8%	-0.4%
8	97.0	0.2%	-1.1%
9	92.8	-0.5%	3.6%
10	88.3	1.0%	7.0%
11	87.1	3.8%	7.8%
12	87.6	6.5%	-0.3%
13	89.3	3.6%	-6.3%
14	86.1	4.5%	-9.1%
15	91.6	-1.9%	-3.1%
16	83.8	-1.5%	-11.2%

PROJECT	FIXTURE TYPE	DATE
---------	--------------	------