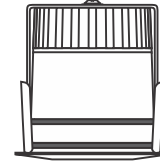


Installation Instructions for Sun 3 Ceiling RGB LED

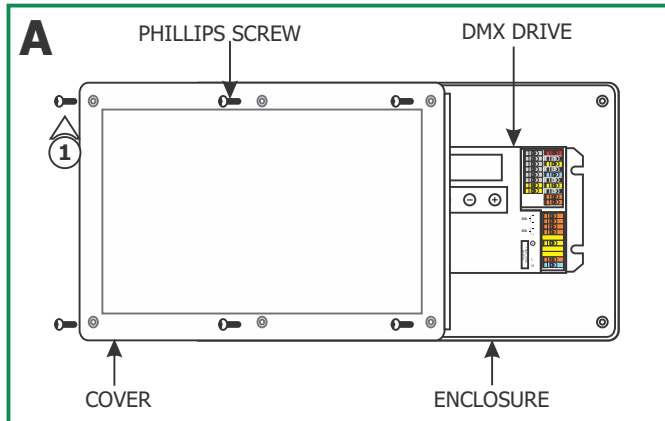
IMPORTANT INFORMATION

- This fixture is for wall and ceiling mount only.

SAVE THESE INSTRUCTIONS!



Section One: Install the Constant Current DMX Driver

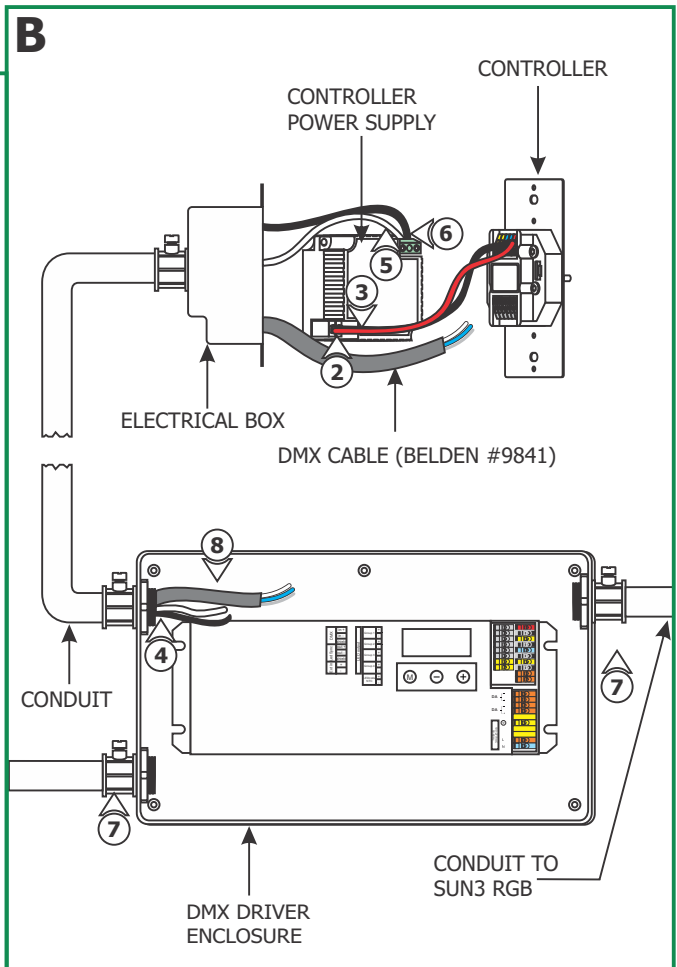


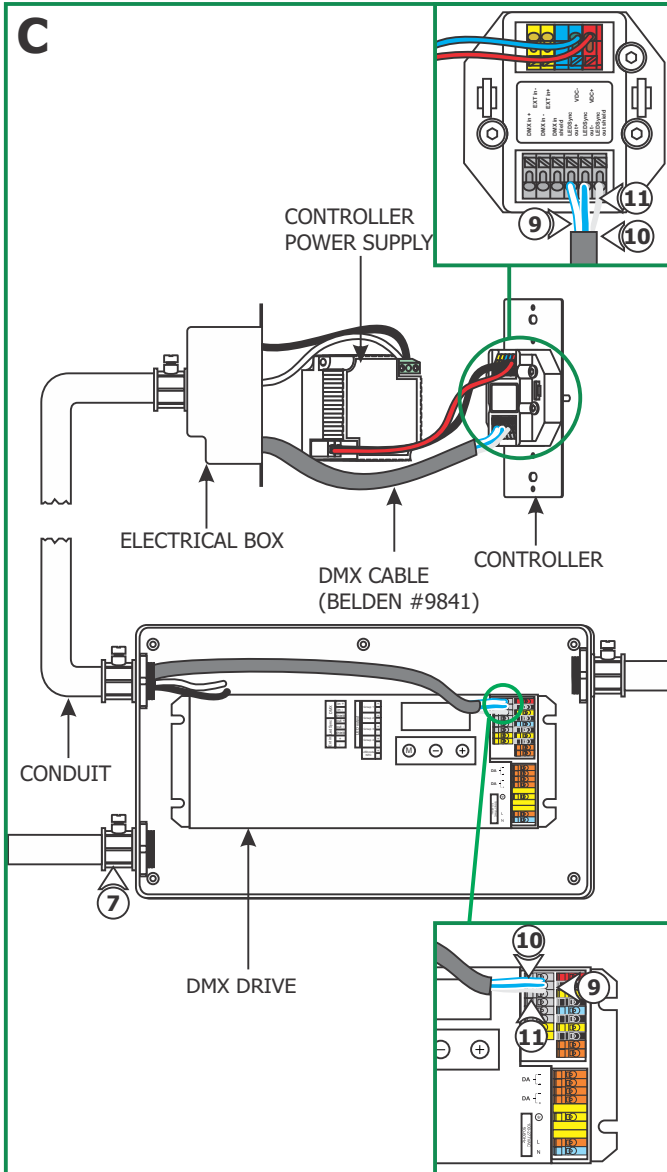
1: Loosen the six Phillips screws on front of the DMX driver to remove the cover.

NOTE: Use a deep double gang boxes to fit the controller and controller power supply.

NOTE: Refer to the "Operation Guide for CDP Controller" on page 6 to properly operate the controller.

- 2:** Connect one end of a red wire to "VDC+" of the controller terminal and the other end of the red wire to the "+24VDC" of the power supply terminal.
- 3:** Connect one end of a black wire to "Ground" of the controller terminal and the other end to the "-24VDC" of the power supply terminal.
- 4:** Install a conduit from the controller electrical box to the DMX driver enclosure and run the black and white line voltage wires coming from the controller power supply to the DMX driver enclosure.
- 5:** Connect the white wire to "N" terminal of the controller power supply.
- 6:** Connect the black wire to "L" terminal of the controller power supply.
- 7:** Install conduits from the controller, to the main panel (line voltage), and to the SUN3 housing(s).
- 8:** Run proper DMX cable (**Belden #9841 recommended**) with three data wires from controller to the power supply enclosure.



C

9: Connect one end of a data wire (blue with white stripes wire) to controller "LEDSYNC OUT -" terminal. Connect the other end into the DMX drive "DMX in -" terminal.

10: Connect one end of a data wire (white with blue stripes wire) to controller "LEDSYNC OUT +" terminal. Connect the other end into the DMX drive "DMX in +" terminal.

11: Connect one end of a data wire (bare shield wire) to controller "LEDSYNC SHIELD" terminal. Connect the other end into the DMX drive "DMX in shield" terminal.

NOTE: Do not use the DMX terminals on the controller.

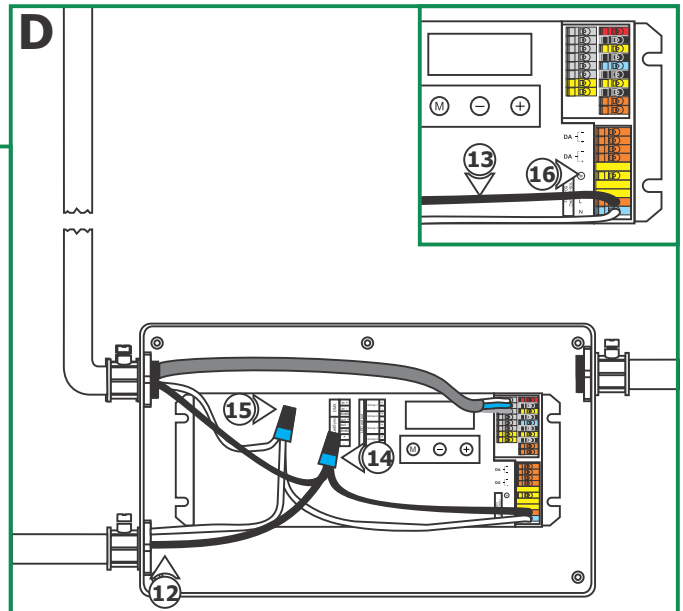
12: Run the line voltage power wires into the DMX drive.

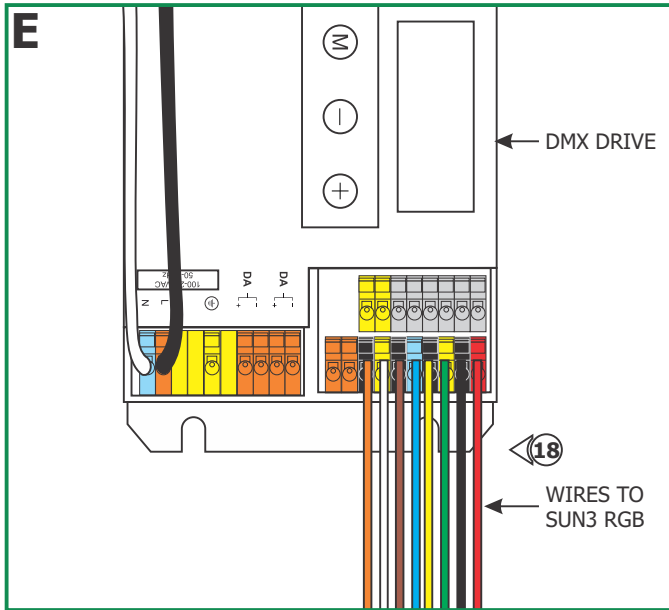
13: Connect 6" of #8 AWG black & white wires to brown & blue (~) DMX drive terminals.

14: Connect the hot power wire to the black wire of the DMX drive and the black wire coming from the controller with a wire nut.

15: Connect the neutral power wire to the white wire of the DMX drive and the white wire coming from the controller with a wire nut.

16: Make sure the DMX drive is grounded in accordance with local electrical codes, using the ground terminal on the DMX drive.

D



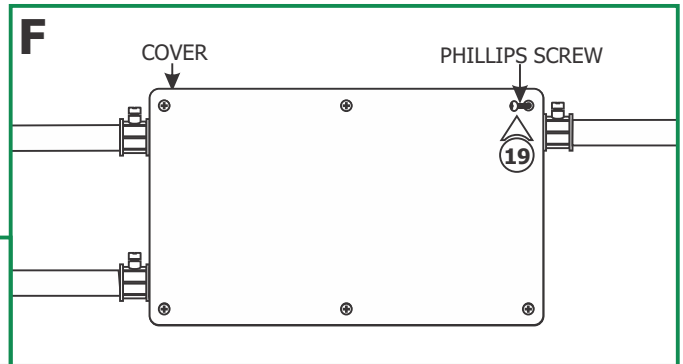
17: Use #18 AWG wires connecting DMX driver the to SUN3 RGBs.

NOTE: Follow steps 1 through 11 in Section Two install the Sun3 Ceiling Housing first, before following the remaining steps below.

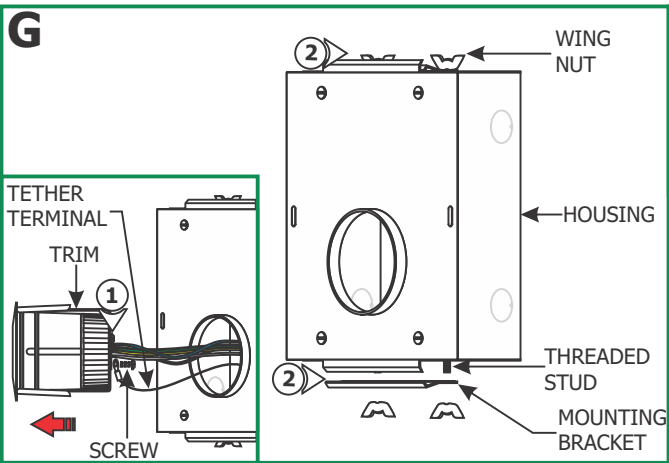
18: Run the proper wire colors (red, black, green, yellow, blue, brown, white, & orange) from the DMX drive to the Sun3 RGB. Refer to the wiring diagram on page 7 for reference.

NOTE: Do not exceed the maximum wattage of the DMX drive. Max 10 RGB Sun3 can be connected to DMX driver.

- 19:** Replace the DMX driver cover and secure it by tightening the six Phillips screws.
- 20:** Follow the steps in Section Three to install drywall & trim.



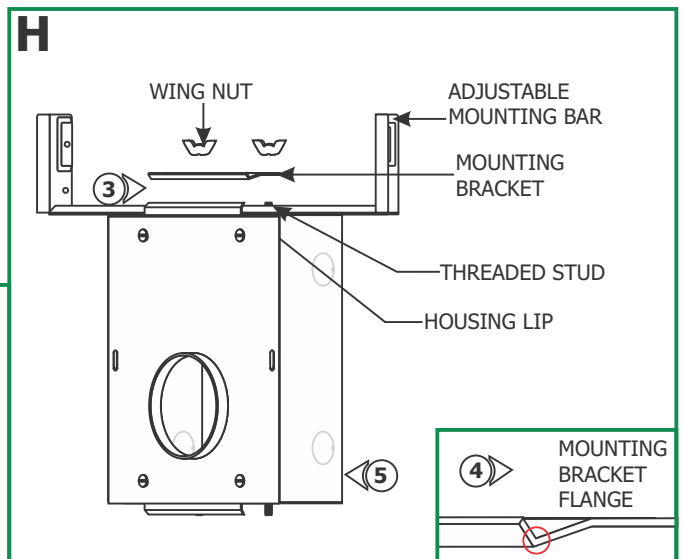
Section Two: Install the Sun3 Ceiling Housing

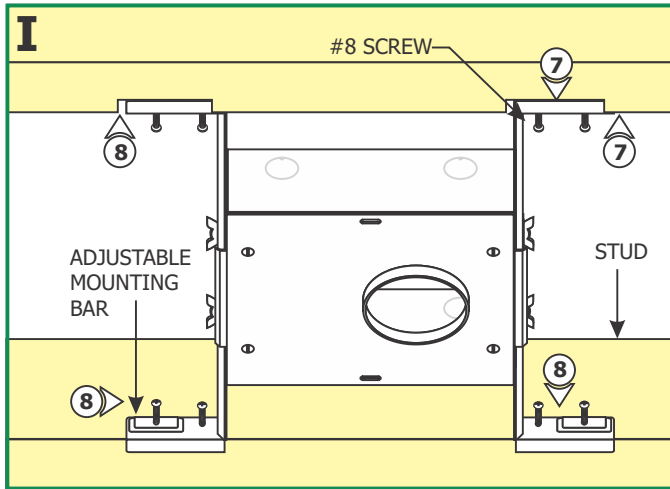


1: Carefully pull the trim out of the housing, and remove the Phillips screw on the tether terminal (safety cable) to release the trim.

2: Loosen the two top and bottom wing nuts on the housing to remove the two mounting brackets.

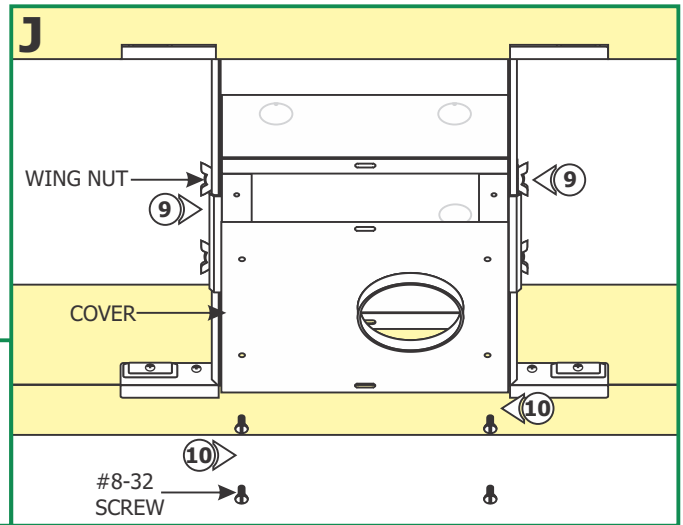
- 3:** Mount one adjustable mounting bar to the top of the housing by sliding it completely under the housing lip.
- 4:** Replace the mounting bracket onto the threaded studs so that the flange faces the adjustable mounting bar. Tighten the wing nuts to secure the adjustable mounting bar in place.
- 5:** Repeat steps 2 through 4 for the bottom of the housing.



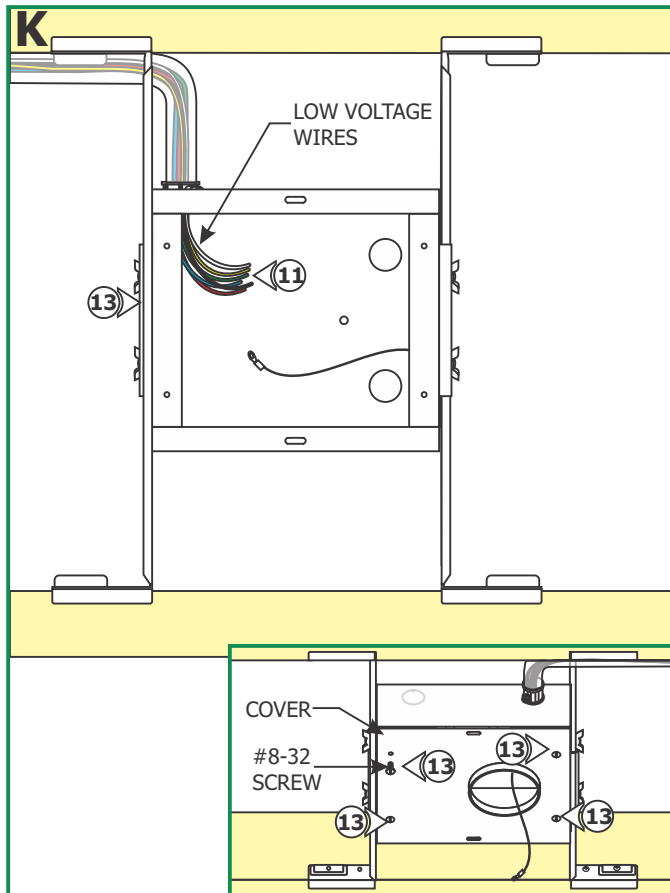


NOTE: The adjustable mounting bars mount to joist (stud) that are spaced 16" to 24" apart.

- 6:** Select the location between the two studs for the housing to be mounted.
- 7:** Place the adjustable mounting bars between the studs.
- 8:** Make sure the lips on the adjustable mounting bars are against the studs. Secure the adjustable bars to the studs with the provided eight #8 screws.



- 9:** Slide the housing to desired position. If necessary loosen the wing nuts to ease the sliding. After the desired position is achieved tighten all the wing nuts.
- 10:** Loosen the four #8-32 screws on the front of the housing, to remove the cover.



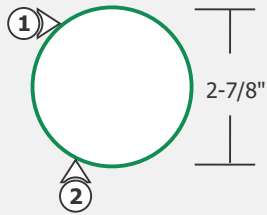
- 11:** Run the proper wire colors (red, black, green, yellow, blue, brown, white, & orange) wires to each housing.
- 12:** Make sure the DMX driver power is off.
- 13:** Mount the cover to the housing with the four #8-32 screws.

NOTE: Each Sun3 RGB should be connected to the next Sun3 RGB in series. The positive wires are the red, green, blue & white and the negative wires are black for red, yellow for green, brown for blue & orange for white. The positive wires of the closest Sun3 RGB to the DMX drive should be (red, green, blue, & white) connected to the proper DMX drive terminals. The negative wires (black, yellow brown & orange) of the last Sun3 RGB should be connected to the negative terminals (black color) of the DMX drive. Each Sun3 RGB should be connected together in series with black wires of the first Sun3 RGB connecting to the red wire of the next Sun3 RGB. The yellow wire of the first one to green wire of the next one, the white wire of the first one to the blue wire next one and similarly the orange wire of the first one to white wire of the next one. Refer to the wiring diagram on page 7.

- 14:** Refer to the wiring diagram on page 7 for overall wiring.

Section Three: Install Drywall & Trim

L

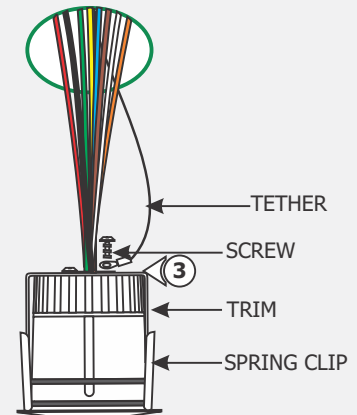


1: Mark a point on the drywall where the housing opening is going to be located.

2: Cut out the marked drywall location with a 2-7/8" metal hole saw bit (refer to www.greenlee.com cat# 825-2-7/8).

3: After installing drywall and finishing it, align the tether terminal to the trim tab and secure it by replacing the Phillips screw.

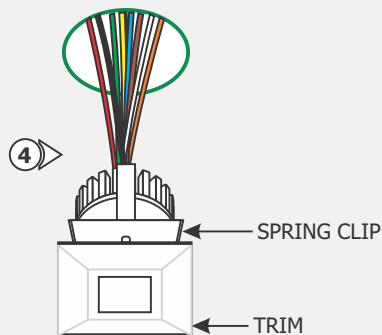
M



4: Place all wires inside the housing and gently push the trim completely into the housing opening by squeezing the spring clips.

NOTE: Each fixture contains an integrated LED lamp. Each Sun3 consumes 10 watts.

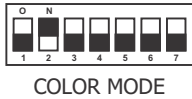
N



Section Four: Operation Guide for CDP Controller

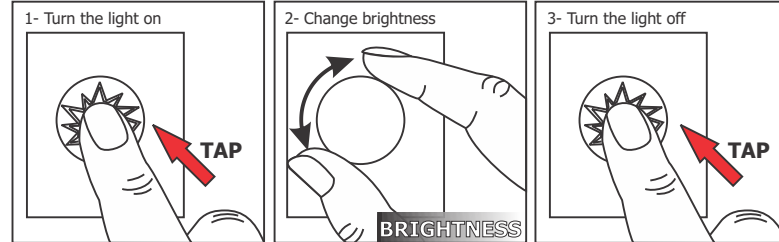
Selecting Modes

Configure your CDP Controller by setting the DIP switches on the front:

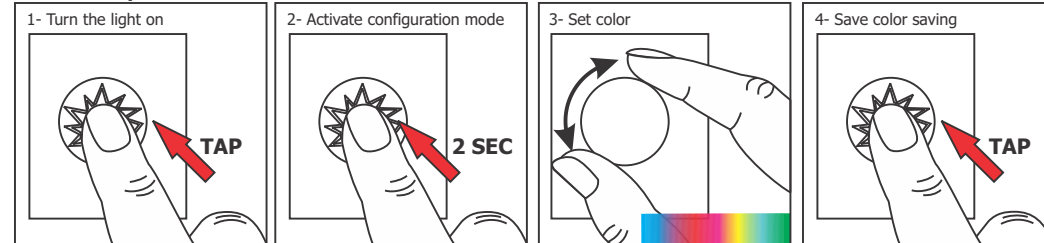


NOTE: The DIP switches must remain accessible after installation. When making changes in the DIP switch settings, disconnect and reconnect the power supply to activate new settings.

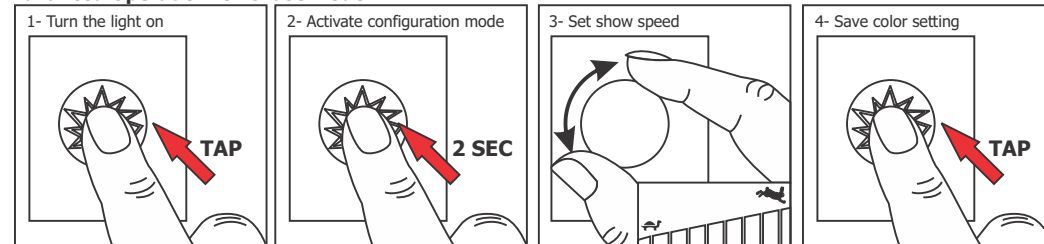
Operating Controller



Advanced Operation for Color Mode



Advanced Operation for Chase Mode



Wiring Diagram

