

# OUTDOOR TRANSFORMER

REV 08.31.18

PATENT PENDING



## DESCRIPTION

Magnetic Transformer total 300W, 2-Circuit, 2x150W with booster tap. Dimmable with any Magnetic Low Voltage Dimmer, by others as long as you cover dimmer's minimum load. The temperature is rated Class B (130°C). The lead maximum operational temperature is 105°C. The enclosure is black powder coated steel, NEMA 3R rated. The wiring compartment has 6 knockout sized for 3/8" screw cable connectors.

## EXTERIOR APPLICATIONS

To avoid overheating the power supply, install it in a ventilated remote location where air flows. Maintain proper spacing among power supplies when multiple power supplies are installed in the same remote location.

## POWER INPUT

120VAC, 60Hz

## POWER OUTPUT

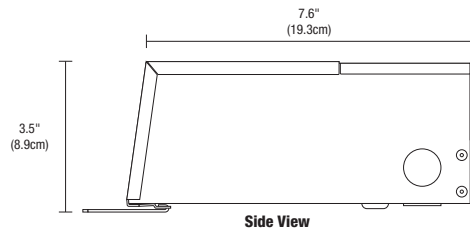
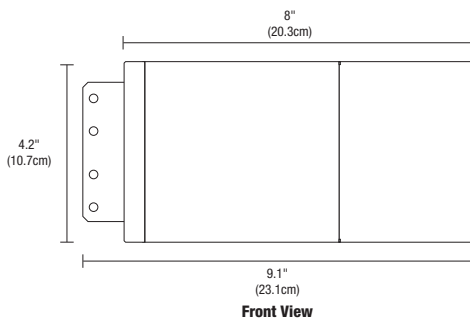
- Without Load: 12.4VAC
- Fully Loaded: 11.8VAC
- 2x150 Watts maximum
- User booster tap when output voltage is under 10.4 Volts

## DIMENSIONS

8" x 4.2" x 3.5"

## DIMMER TYPE

Magnetic Low Voltage Dimmer, by others

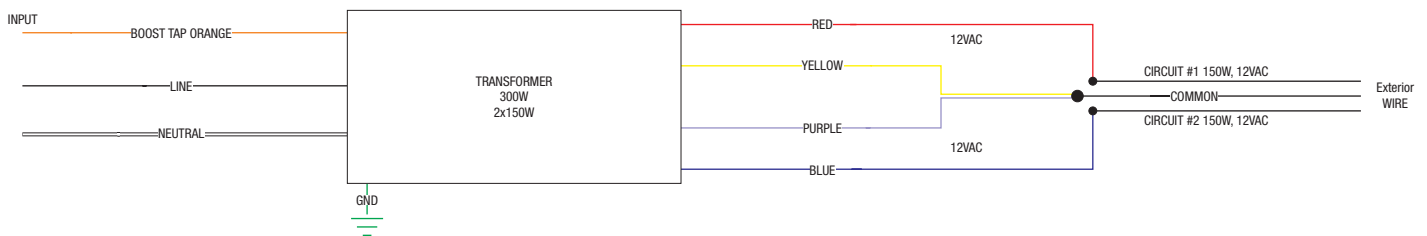


Product

**EGP300P12AC**

EGP300P12AC Exterior Transformer, two 150 Watt Circuits, 300 Watt with 12VAC with Booster Tap

## WIRING DIAGRAM: Wiring Diagram for the EGP300P12AV, Exterior Black Powder Coated Steel Transformer



300W, 12VAC LOW VOLTAGE WIRE SIZE CHART (3% VOLTAGE DROP)						
TOTAL CIRCUIT DISTANCE	UP TO 6'	7'-10'	11'-16'	17'-25'	26'-30'	40'-48'
WIRE SIZE	10 AWG	8 AWG	6 AWG	4 AWG	3 AWG	1 AWG

PROJECT		FIXTURE TYPE		DATE	
---------	--	--------------	--	------	--