



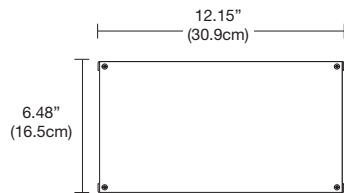
**PSB-2X96W-UNI-24VDC**  
2X96 WATT 24 VOLT DC POWER SUPPLY



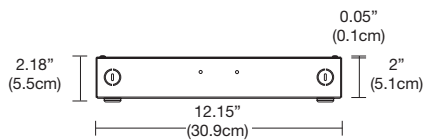
REV 04.26.19



PSB-2x96W-UNI-24VDC



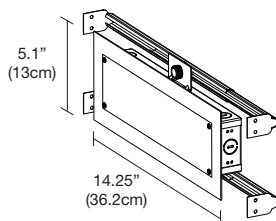
Top View



Side View



PSB-2x96W-UNI-24VDC-IW



PSB-96W-UNI-24VDC-IW

**Description:**

Accepts input voltage in a range of 120 - 277VAC and outputs 24VDC power up to 2x96 watts. Can be used as a dimmable or non-dim Power Supply. Dims down 7% with an ELV dimmer or a 0-10 volt dimmer when two additional wires are connected to the dimmer. Power Supply features short circuit and overload and over temperature protection. Indoor applications only. UL, CUL, RoHS, CE, Title 24 Compliant, AAA Rating, FCC Class B Compliant, IP67

**Applications:** Indoor\*

\*To avoid overheating the power supply, install it in a ventilated remote location where air flows. Maintain proper spacing among power supplies when multiple power supplies are installed in the same remote location.

**Mounting:**

Surface mounted with conduit access

**Power Input:**

120-277 volts AC, 50/60Hz

**Power Output:**

Class 2; 24 volts DC 2x4A, 2x96 watts maximum

**Efficiency:**

>84%

**Power Factor:**

>0.90

**Dimensions:**

12.15" x 6.48" x 2.18"

**Ambient Operating Temperature:**

-25C to 40C

**ELV Dimmer Type:**

Legrand: Adorne ADTP703TU

Lutron: Diva DVELV-300P, Skylark SELV-300P, Maestro MAELV-600 and Radio RA 2 RRD-6NA

**0-10 Dimmer Type:**

Lutron: Radio RA2 (with GRX-TVI), Grafik Eye Qs (with GRX-TVI), Diva (with PP20); Nova T

Philips: Sunrise SR1200ZTUNV

Leviton: IP710-DL

Legrand: ADPD4FBL3P2W4

**Not compatible with Warm Dim (27D, 30D)**

Product	Wattage	Dimming	Voltage	Options
<b>PSB</b>	<b>2X96W</b>	<b>UNI</b>	<b>24VDC</b>	Standard (Leave Blank)
<small>PSB Power Supply with Enclosure Box</small>	<small>2x96W 2x96 Watt</small>	<small>UNI Universal Dimming</small>	<small>24VDC 24 Volt DC</small>	<small>IW In-Wall Kit</small>

The Solid State Constant Voltage Uni-Power Supply is compatible with most commercially available Dimmers:

Triac Dimmer : (Forward Phase) Typically used for the dimming of Incandescent and Low Voltage Magnetic Transformers

ELV Dimmer : (Reverse Phase) Dimming of Electronic Low Voltage Transformers and Power Supply's used for LED lighting

0-10 Dimmer : Dims the Low Voltage side of a 0-10 volt power supply commonly used in large scale lighting or commercial applications.

The Uni-Power Supply is NOT compatible with Pure Edge Warm Dim Soft Strip. Please use Pure Edge 0-10 Volt or Pure Edge ELV power supplies for that application.

The Uni-Power Supply is recommended with any Siemens/Murray brand of arc fault breaker to overcome the issues with tripping the breakers with an ELV LED Low Voltage Drivers.

PROJECT	FIXTURE TYPE	DATE
---------	--------------	------

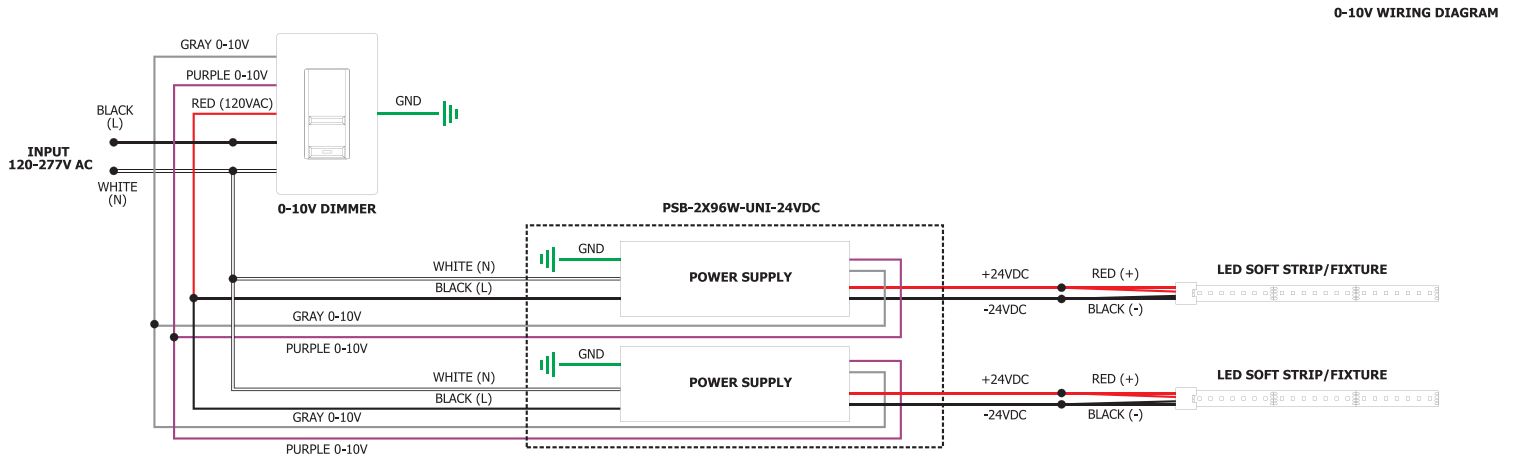
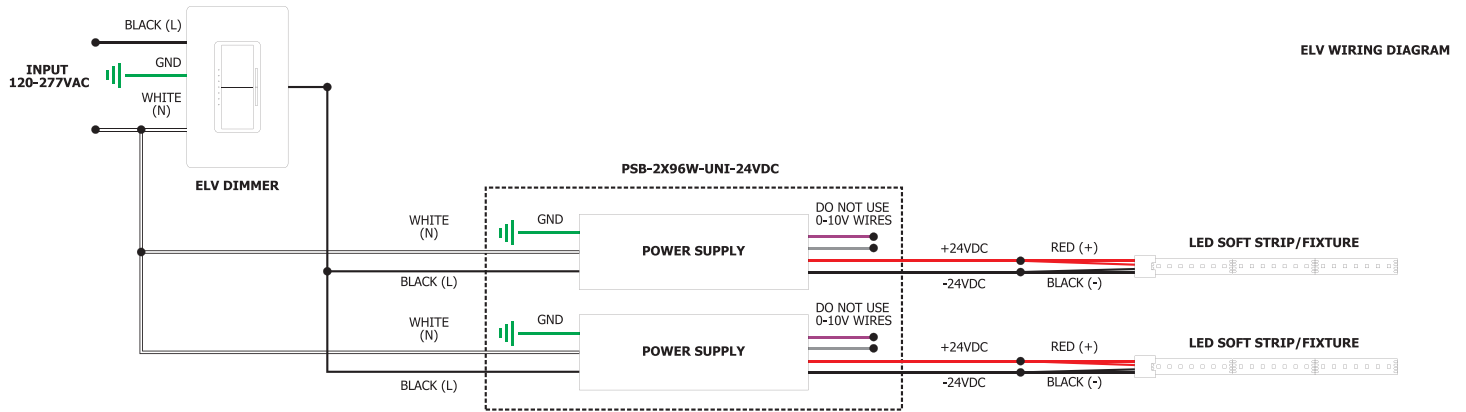


# PSB-2X96W-UNI-24VDC

## 2X96 WATT 24 VOLT DC POWER SUPPLY



REV 04.26.19



PROJECT	FIXTURE TYPE	DATE