

# BARDOT VANITY

## TUNABLE WHITE WITH REMOTE 24VDC POWER SUPPLY

DESIGNED BY GREGORY KAY | ASSEMBLED IN AMERICA

REV 01.30.20



4000K



2000K



### DESCRIPTION

The Bardot Vanity - Tunable White Fixture from PureEdge Lighting features an Opaque White Diffuser Lens that provides uniform Tunable 90+ CRI light without hot-spots. The Bardot Vanity-Tunable White fixture can be controlled to operate at either 2000K or 4000K and any Kelvin (color) temperature in between.

### ELECTRICAL:

|                       |  |
|-----------------------|--|
| Power Supply Options: | 2x UNIVERSAL Remote Power Supplies (Ordered Separately. See pages below.)              |
| Input Voltage:        | 120VAC - 277VAC  |
| Output Voltage:       | 24VDC Class 2 wiring   |
| Power Consumed:       | 5 watts per foot   |
| LEDs per Foot:        | 35 at 2000K, 35 at 4000K, TOTAL = 70   |
| Dimming:              | ELV, 0-10V, Triac, DMX, Lutron Hi-Lume® or DALI (Ordered Separately. See pages below.) |
| Average LED Life:     | 60,000 hrs @ normal usage  |

### APPROVALS

Damp Location, ADA, ETL Listed, Title 24.  Class 2 wiring. Made in America. 

### PHYSICAL ATTRIBUTES:

Mounting Options:

**4RD** - 4.6" Floating Round Canopy Mounts to standard 4" electrical box with round plaster ring anywhere along the fixture, vertically or horizontally.

**1RE** - Floating Rectangular Canopy Mounts to the Slim Profile Junction Box (included) recommend for new construction application.

Ordering Increments\*:

Order in 2 or 3-inch increments.  
Warm Dim Max Length - 120" at 4.4w/ft  
Chrome Max Length - 84" 4.4 or 4.8w/ft.  
\*See complete ordering increments grid on page 3. \*Custom Lengths Available\*

Compliance:

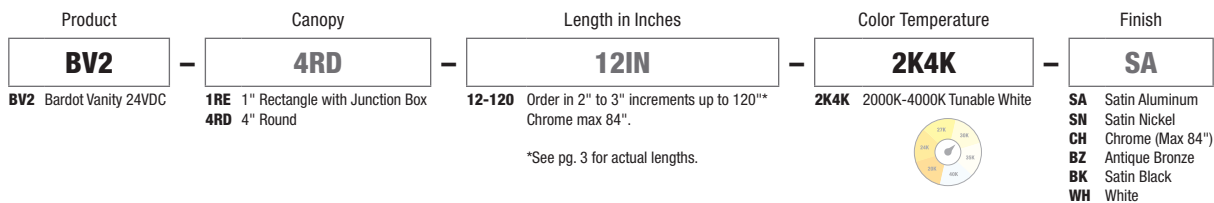
ETL Listed, Damp Rated, ADA

Warranty:

5-Year Pro Rated Warranty

### APPLICATIONS

Indoor Only: Hospitality Industry, Retail, Residential Bathroom Vanity, Task Lighting, Cove, and Retail Dressing Room



|         |              |      |  |
|---------|--------------|------|--|
| PROJECT | FIXTURE TYPE | DATE |  |
|---------|--------------|------|--|

# BARDOT VANITY

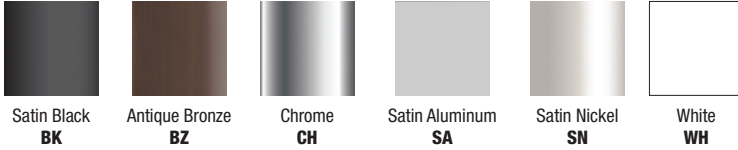
TUNABLE WHITE WITH REMOTE 24VDC POWER SUPPLY

REV 01.30.20

**Nominal Lamp Data:** Lamp data for the Bardot Vanity

|                         | BV2                           |     |     |     |     |     |     |
|-------------------------|-------------------------------|-----|-----|-----|-----|-----|-----|
| DESCRIPTION             | BARDOT VANITY - TUNABLE WHITE |     |     |     |     |     |     |
| WATTS PER FOOT          | 10w (9.6 watts)               |     |     |     |     |     |     |
| COLOR TEMPERATURE       | 20K                           | 22K | 24K | 27K | 30K | 35K | 40K |
| LUMENS PER FOOT (lm/ft) | 278                           | 369 | 466 | 589 | 531 | 446 | 320 |
| LUMENS PER WATT (lm/w)  | 60                            | 61  | 63  | 65  | 66  | 69  | 71  |
| CRI                     | 85+                           | 85+ | 90+ | 95+ | 95+ | 84  | 84  |

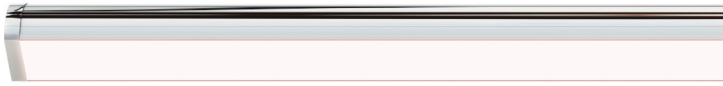
**FINISHES:**



Satin Black  
**BK**



Antique Bronze  
**BZ**



Chrome  
**CH**



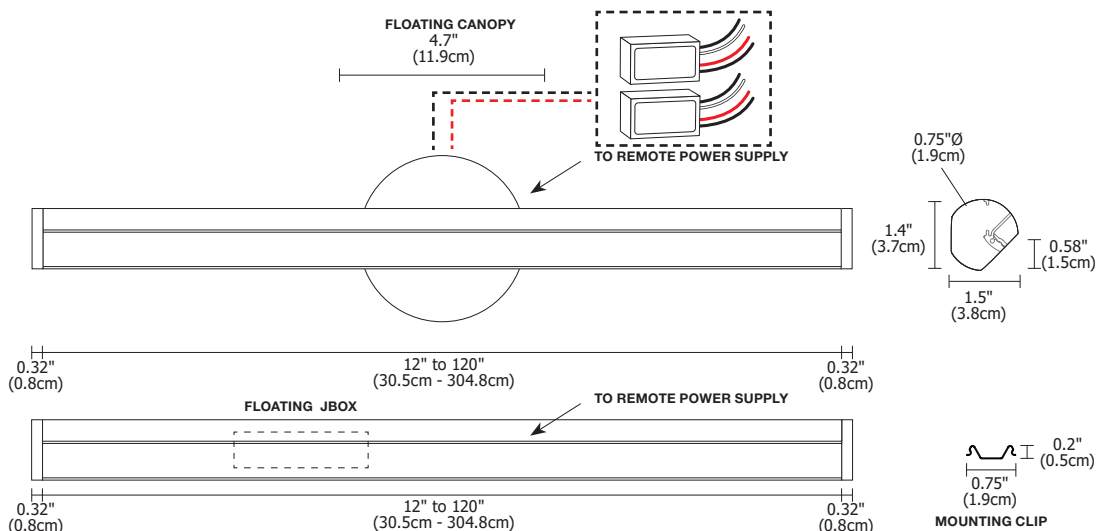
Satin Aluminum  
**SA**



Satin Nickel  
**SN**



White  
**WH**



|         |              |      |
|---------|--------------|------|
| PROJECT | FIXTURE TYPE | DATE |
|---------|--------------|------|



# BARDOT VANITY

## TUNABLE WHITE WITH REMOTE 24VDC POWER SUPPLY







REV 01.30.20

**LENGTH CHART** Please refer to chart below for overall length (with End Caps) for Audrey Vanity

| Ordering Code | Overall Length (Inches) | Total Wattage (1 Fixture) | Minimum Power Supply (1 fixture)          | Total Wattage (2 Fixtures) | Minimum Power Supply (2 fixtures)           | Ordering Code                            | Overall Length (Inches) | Total Wattage (1 Fixture) | Minimum Power Supply (1 fixture)          | Total Wattage (2 Fixtures) | Minimum Power Supply (2 fixtures)           |
|---------------|-------------------------|---------------------------|---|----------------------------|---|--|-------------------------|---------------------------|---|----------------------------|---|
| 12IN          | 13.1                    | 10                        | PSB-2x40w-UNI-24VDC or PSB-100W-24VDC-2XK | 20                         | PSB-2x40w-UNI-24VDC or PSB-100W-24VDC-2XK   | 68IN                                     | 68.3                    | 57                        | PSB-2x40w-UNI-24VDC or PSB-100W-24VDC-2XK | 114                        | PSB-2x60w-UNI-24VDC or PSB-2x100W-24VDC-2XK |
| 15IN          | 15.5                    | 13                        | PSB-2x40w-UNI-24VDC or PSB-100W-24VDC-2XK | 26                         | PSB-2x40w-UNI-24VDC or PSB-100W-24VDC-2XK   | 70IN                                     | 70.7                    | 59                        | PSB-2x40w-UNI-24VDC or PSB-100W-24VDC-2XK | 118                        | PSB-2x96w-UNI-24VDC or PSB-2x100W-24VDC-2XK |
| 17IN          | 17.9                    | 15                        | PSB-2x40w-UNI-24VDC or PSB-100W-24VDC-2XK | 30                         | PSB-2x40w-UNI-24VDC or PSB-100W-24VDC-2XK   | 72IN                                     | 73.1                    | 60                        | PSB-2x40w-UNI-24VDC or PSB-100W-24VDC-2XK | 120                        | PSB-2x96w-UNI-24VDC or PSB-2x100W-24VDC-2XK |
| 20IN          | 20.3                    | 17                        | PSB-2x40w-UNI-24VDC or PSB-100W-24VDC-2XK | 34                         | PSB-2x40w-UNI-24VDC or PSB-100W-24VDC-2XK   | 75IN                                     | 75.5                    | 63                        | PSB-2x40w-UNI-24VDC or PSB-100W-24VDC-2XK | 126                        | PSB-2x96w-UNI-24VDC or PSB-2x100W-24VDC-2XK |
| 22IN          | 22.7                    | 19                        | PSB-2x40w-UNI-24VDC or PSB-100W-24VDC-2XK | 38                         | PSB-2x40w-UNI-24VDC or PSB-100W-24VDC-2XK   | 77IN                                     | 77.9                    | 56                        | PSB-2x40w-UNI-24VDC or PSB-100W-24VDC-2XK | 132                        | PSB-2x96w-UNI-24VDC or PSB-2x100W-24VDC-2XK |
| 24IN          | 25.1                    | 20                        | PSB-2x40w-UNI-24VDC or PSB-100W-24VDC-2XK | 40                         | PSB-2x40w-UNI-24VDC or PSB-100W-24VDC-2XK   | 80IN                                     | 80.3                    | 67                        | PSB-2x40w-UNI-24VDC or PSB-100W-24VDC-2XK | 134                        | PSB-2x96w-UNI-24VDC or PSB-2x100W-24VDC-2XK |
| 27IN          | 27.5                    | 23                        | PSB-2x40w-UNI-24VDC or PSB-100W-24VDC-2XK | 46                         | PSB-2x40w-UNI-24VDC or PSB-100W-24VDC-2XK   | 82IN                                     | 82.7                    | 69                        | PSB-2x40w-UNI-24VDC or PSB-100W-24VDC-2XK | 138                        | PSB-2x96w-UNI-24VDC or PSB-2x100W-24VDC-2XK |
| 29IN          | 29.9                    | 25                        | PSB-2x40w-UNI-24VDC or PSB-100W-24VDC-2XK | 50                         | PSB-2x40w-UNI-24VDC or PSB-100W-24VDC-2XK   | 84IN<br>(Max shipping length for chrome) | 85.1                    | 70                        | PSB-2x40w-UNI-24VDC or PSB-100W-24VDC-2XK | 140                        | PSB-2x96w-UNI-24VDC or PSB-2x100W-24VDC-2XK |
| 32IN          | 32.3                    | 27                        | PSB-2x40w-UNI-24VDC or PSB-100W-24VDC-2XK | 54                         | PSB-2x40w-UNI-24VDC or PSB-100W-24VDC-2XK   | 87IN                                     | 87.5                    | 73                        | PSB-2x40w-UNI-24VDC or PSB-100W-24VDC-2XK | 146                        | PSB-2x96w-UNI-24VDC or PSB-2x100W-24VDC-2XK |
| 34IN          | 34.7                    | 29                        | PSB-2x40w-UNI-24VDC or PSB-100W-24VDC-2XK | 58                         | PSB-2x40w-UNI-24VDC or PSB-100W-24VDC-2XK   | 89IN                                     | 89.9                    | 75                        | PSB-2x40w-UNI-24VDC or PSB-100W-24VDC-2XK | 150                        | PSB-2x96w-UNI-24VDC or PSB-2x100W-24VDC-2XK |
| 36IN          | 37.1                    | 30                        | PSB-2x40w-UNI-24VDC or PSB-100W-24VDC-2XK | 60                         | PSB-2x40w-UNI-24VDC or PSB-100W-24VDC-2XK   | 92IN                                     | 92.3                    | 77                        | PSB-2x40w-UNI-24VDC or PSB-100W-24VDC-2XK | 154                        | PSB-2x96w-UNI-24VDC or PSB-2x100W-24VDC-2XK |
| 39IN          | 39.5                    | 33                        | PSB-2x40w-UNI-24VDC or PSB-100W-24VDC-2XK | 66                         | PSB-2x40w-UNI-24VDC or PSB-100W-24VDC-2XK   | 94IN                                     | 94.7                    | 79                        | PSB-2x60w-UNI-24VDC or PSB-100W-24VDC-2XK | 158                        | PSB-2x96w-UNI-24VDC or PSB-2x100W-24VDC-2XK |
| 41IN          | 41.9                    | 35                        | PSB-2x40w-UNI-24VDC or PSB-100W-24VDC-2XK | 67                         | PSB-2x40w-UNI-24VDC or PSB-100W-24VDC-2XK   | 96IN                                     | 97.1                    | 80                        | PSB-2x60w-UNI-24VDC or PSB-100W-24VDC-2XK | 160                        | PSB-2x96w-UNI-24VDC or PSB-2x100W-24VDC-2XK |
| 44IN          | 44.3                    | 37                        | PSB-2x40w-UNI-24VDC or PSB-100W-24VDC-2XK | 74                         | PSB-2x40w-UNI-24VDC or PSB-100W-24VDC-2XK   | 99IN                                     | 99.5                    | 83                        | PSB-2x60w-UNI-24VDC or PSB-100W-24VDC-2XK | 166                        | PSB-2x96w-UNI-24VDC or PSB-2x100W-24VDC-2XK |
| 46IN          | 46.7                    | 39                        | PSB-2x40w-UNI-24VDC or PSB-100W-24VDC-2XK | 78                         | PSB-2x60w-UNI-24VDC or PSB-100W-24VDC-2XK   | 101IN                                    | 101.9                   | 85                        | PSB-2x60w-UNI-24VDC or PSB-100W-24VDC-2XK | 170                        | PSB-2x96w-UNI-24VDC or PSB-2x100W-24VDC-2XK |
| 48IN          | 49.1                    | 40                        | PSB-2x40w-UNI-24VDC or PSB-100W-24VDC-2XK | 80                         | PSB-2x60w-UNI-24VDC or PSB-100W-24VDC-2XK   | 104IN                                    | 104.3                   | 87                        | PSB-2x60w-UNI-24VDC or PSB-100W-24VDC-2XK | 174                        | PSB-2x96w-UNI-24VDC or PSB-2x100W-24VDC-2XK |
| 51IN          | 51.5                    | 43                        | PSB-2x40w-UNI-24VDC or PSB-100W-24VDC-2XK | 86                         | PSB-2x60w-UNI-24VDC or PSB-100W-24VDC-2XK   | 106IN                                    | 106.7                   | 89                        | PSB-2x60w-UNI-24VDC or PSB-100W-24VDC-2XK | 178                        | PSB-2x96w-UNI-24VDC or PSB-2x100W-24VDC-2XK |
| 53IN          | 53.9                    | 45                        | PSB-2x40w-UNI-24VDC or PSB-100W-24VDC-2XK | 90                         | PSB-2x60w-UNI-24VDC or PSB-100W-24VDC-2XK   | 108IN                                    | 109.1                   | 90                        | PSB-2x60w-UNI-24VDC or PSB-100W-24VDC-2XK | 180                        | PSB-2x96w-UNI-24VDC or PSB-2x100W-24VDC-2XK |
| 56IN          | 56.3                    | 47                        | PSB-2x40w-UNI-24VDC or PSB-100W-24VDC-2XK | 94                         | PSB-2x60w-UNI-24VDC or PSB-100W-24VDC-2XK   | 111IN                                    | 111.5                   | 93                        | PSB-2x60w-UNI-24VDC or PSB-100W-24VDC-2XK | 186                        | PSB-2x96w-UNI-24VDC or PSB-2x100W-24VDC-2XK |
| 58IN          | 58.7                    | 49                        | PSB-2x40w-UNI-24VDC or PSB-100W-24VDC-2XK | 98                         | PSB-2x60w-UNI-24VDC or PSB-100W-24VDC-2XK   | 113IN                                    | 113.9                   | 95                        | PSB-2x60w-UNI-24VDC or PSB-100W-24VDC-2XK | 190                        | PSB-4x96w-UNI-24VDC or PSB-2x100W-24VDC-2XK |
| 60IN          | 61.1                    | 50                        | PSB-2x40w-UNI-24VDC or PSB-100W-24VDC-2XK | 100                        | PSB-2x60w-UNI-24VDC or PSB-2x100W-24VDC-2XK | 116IN                                    | 116.3                   | 97                        | PSB-2x60w-UNI-24VDC or PSB-100W-24VDC-2XK | 194                        | PSB-4x96w-UNI-24VDC or PSB-2x100W-24VDC-2XK |
| 63IN          | 63.5                    | 53                        | PSB-2x40w-UNI-24VDC or PSB-100W-24VDC-2XK | 106                        | PSB-2x60w-UNI-24VDC or PSB-2x100W-24VDC-2XK | 118IN                                    | 118.7                   | 99                        | PSB-2x60w-UNI-24VDC or PSB-100W-24VDC-2XK | 198                        | PSB-4x96w-UNI-24VDC or PSB-2x100W-24VDC-2XK |
| 65IN          | 65.9                    | 55                        | PSB-2x40w-UNI-24VDC or PSB-100W-24VDC-2XK | 110                        | PSB-2x60w-UNI-24VDC or PSB-2x100W-24VDC-2XK | 120IN                                    | 121.1                   | 100                       | PSB-2x60w-UNI-24VDC or PSB-100W-24VDC-2XK | 200                        | PSB-4x96w-UNI-24VDC or PSB-2x100W-24VDC-2XK |

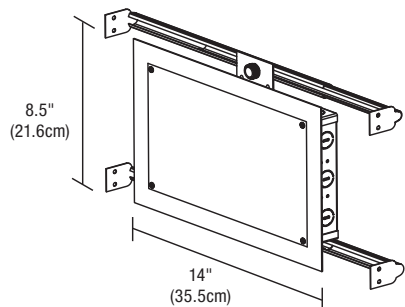
|         |  |              |  |      |  |
|---------|--|--------------|--|------|--|
| PROJECT |  | FIXTURE TYPE |  | DATE |  |
|---------|--|--------------|--|------|--|

| UNIVERSAL POWER SUPPLIES & RECOMMENDED DIMMERS† |   |   |   |   |
|---|---|---|---|---|
| ORDERING CODE                                   | PSB-2X40W-UNI-24VDC   | PSB-2X60W-UNI-24VDC   | PSB-2X96W-UNI-24VDC-IW  | PSB-4X96W-UNI-24VDC   |
|   |  |  |  |  |
| SPECIFICATIONS                                  |   |   |   |   |
| MAXIMUM LOAD                                    | 2X40W   | 2X60W   | 2X96W   | 4X96W   |
| INPUT VOLTAGE                                   | 120-277VAC  | 120-277VAC  | 120-277VAC  | 120-277VAC  |
| OUTPUT VOLTAGE                                  | 24VDC   | 24VDC   | 24VDC   | 24VDC   |
| DIMENSIONS                                      | 12.15" X 6.48" X 2.18"  | 12.15" X 6.48" X 2.18"  | 12.15" X 6.48" X 2.18"  | 17" X 13" X 3"  |
| CLASSIFICATION                                  | CLASS 2   | CLASS 2   | CLASS 2   | CLASS 2   |
| IN-WALL MOUNTING                                | PSB-2X40W-UNI-24VDC-IW  | PSB-2X60W-UNI-24VDC-IW  | PSB-2X96W-UNI-24VDC-IW  | NA  |
| ELV DIMMING & CONTROLS                          |   |   |   |   |
| LUTRON DIVA: DVELV-300P                         | •   | •   | •   | •   |
| LUTRON SKYLARK: SELV-300P                       | •   | •   | •   | •   |
| LUTRON RADIO RA2: RRD-6NA                       | •   | •   | •   | •   |
| LUTRON MAESTRO: MAELV-600                       | •   | •   | •   | •   |
| LEGRAND ADRNE: ADTP-703TUM4                     | •   | •   | •   | •   |
| 0-10 DIMMING & CONTROLS                         |   |   |   |   |
| PHILIPS SUNRISE: SR1200ZTUNV                    | •   | •   | •   | •   |
| LUTRON DIVA: DDTV-WH, DVSTV-WH                  | •   | •   | •   | •   |
| LUTRON NOVA T: NTSTV-DV-XX                      | •   | •   | •   | •   |
| LUTRON GRAFIX EYE QS: QSGRJ-XP                  | •   | •   | •   | •   |
| LUTRON RADIO RA2: RRD-10ND                      | •   | •   | •   | •   |
| LEVITON: LEV40050                               | •   | •   | •   | •   |
| LEVITON IP710-LFZ                               | •   | •   | •   | •   |
| LEGRAND: ADPD4FBL3P2W4                          | •   | •   | •   | •   |
| TRIAC DIMMING & CONTROLS                        |   |   |   |   |
| LUTRON SKYLARK: S2-L-WH                         | •   | •   | •   | •   |
| LUTRON DVLV-600P-WH                             | •   | •   | •   | •   |
| LUTRON DVLV-603P-WH                             | •   | •   | •   | •   |
| LUTRON MALV-600-WH                              | •   | •   | •   | •   |
| LUTRON MALV-1000-WH                             | •   | •   | •   | •   |
| LUTRON MA-R-XX                                  | •   | •   | •   | •   |

- Flicker free dimming
- Aluminum casing for optimal heat dissipation
- Isolated output power per NEC and UL safety requirements
- UL & ETL recognized/ listed, meets UL 8750, 1310 requirements
- Auto-reset; short circuit, overload and thermal protection
- Class 2 power supply
- Efficient, High power factor > 0.90

- The Solid State Constant Voltage Uni-Power Supply is compatible with most commercially available Dimmers:
  - Triac Dimmer: (Forward Phase) Typically used for the dimming of Incandescent and Low Voltage Magnetic Transformers
  - ELV Dimmer: (Reverse Phase) Dimming of Electronic Low Voltage Transformers and Power Supply's used for LED lighting
  - 0-10 Dimmer: Dims the Low Voltage side of a 0-10 volt power supply commonly used in large scale lighting or commercial applications.
- The Uni-Power Supply is recommended with any Siemens/Murray brand of arc fault breaker to overcome the issues with tripping the breakers with an ELV LED Low Voltage Drivers.

## IN WALL MOUNTING OPTIONS



**In-Wall Mounting Kit:** Includes power supply, box cover and stud hangers for installing Junction Box in wall. Select "IW" in the options section of compatible power supply ordering codes if an In-Wall Mounting Kit is needed.

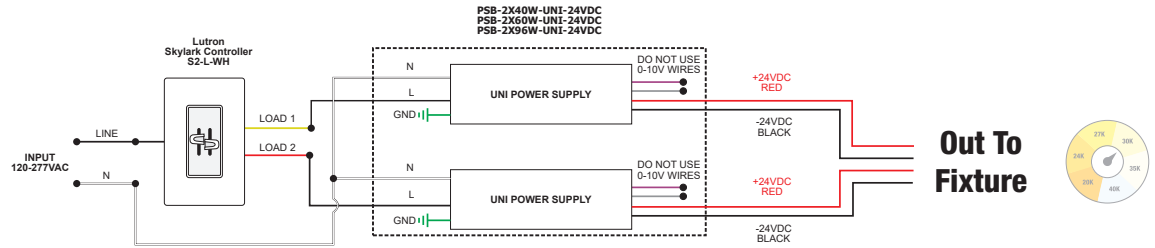
**Ordering Codes 8.5 x 14.25 inch:** PSB-2X40W-UNI-24VDC-IW, PSB-2X60W-UNI-24VDC-IW, PSB-2X96W-UNI-24VDC-IW

|         |              |      |
|---------|--------------|------|
| PROJECT | FIXTURE TYPE | DATE |
|---------|--------------|------|

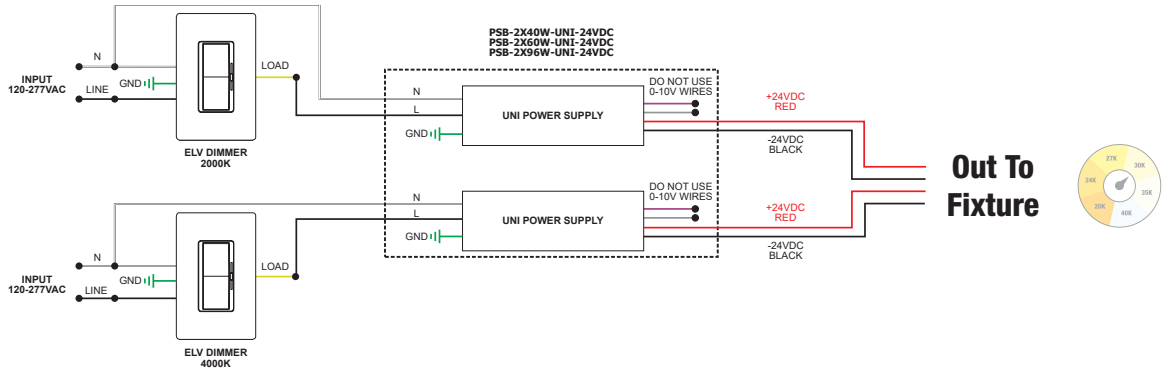
**WIRING DIAGRAMS**

- TRIAC Dimming:** Single pole dimming with dual remote universal power supplies with Lutron Skylark controller (sold separately)
- ELV Dimming:** Dual ELV dimming with dual ELV remote power supplies. Two ELV dimmers required (sold separately)
- 0-10V Dimming:** Dual 0-10V dimming with dual universal remote power supplies. Two 0-10V dimmers required (sold separately)
- Power Supply:** Remote, Class 2, 24VDC output: 120VAC input | Configuration 1: PSB-2x96W-UNI-24VDC with Remote Power Supply with Lutron Skylark Controller | Configuration 2: PSB-2x60W-UNI-24VDC with Dual ELV Dimmers | Configuration 3: PSB-2x96W-UNI-24VDC with Dual 0-10V Dimming
- Dimming :** Dimmable with Dual ELV Dimmers, Dual 0-10V Dimmers, Single Pole DMX, Single Pole TRIAC.

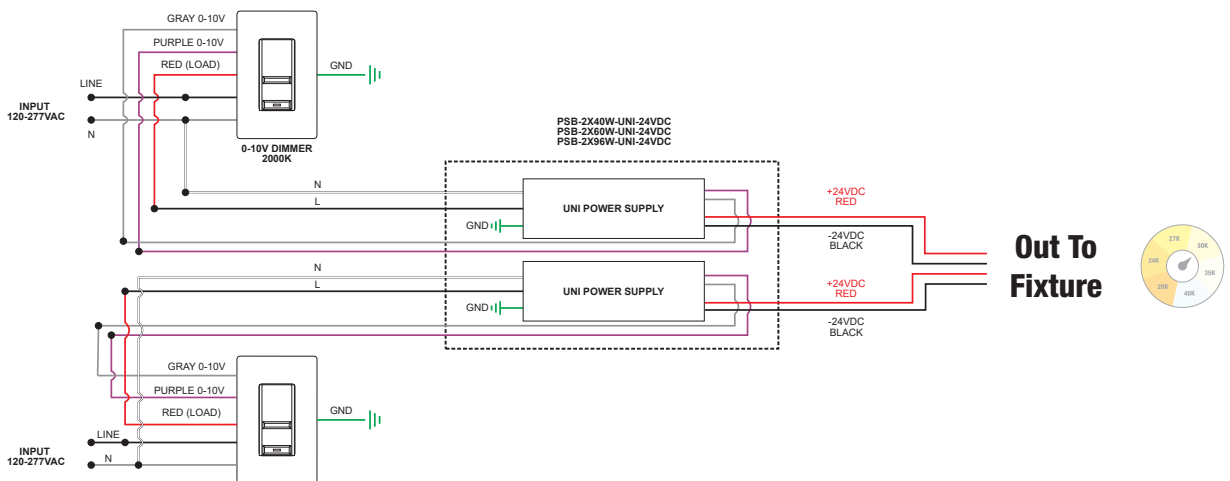
**Configuration 1**  
 S2-L-WH (TRIAC) Single Pole Dimming with Dual Universal Power Supplies



**Configuration 2**  
 Dual Universal Power Supplies controlled via individual ELV Dimmers



**Configuration 3**  
 Dual Universal Power Supplies controlled via individual 0-10V Dimmers



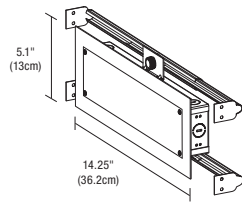
|         |              |      |
|---------|--------------|------|
| PROJECT | FIXTURE TYPE | DATE |
|---------|--------------|------|

| ELECTRONIC LOW-VOLTAGE (ELV) POWER SUPPLIES & RECOMMENDED DIMMERS†‡ |                                   |                          |                          |                        |
|---|-----------------------------------|--------------------------|--------------------------|------------------------|
| ORDERING CODES  | PSB-60L-ELV-24VDC<br>             | PSB-60W-ELV-24VDC<br>    | PSB-2X60W-ELV-24VDC<br>  | PSB-100W-ELV-24VDC<br> |
| SPECIFICATIONS  |                                   |                          |                          |                        |
| MAXIMUM LOAD  | 60W NON-IC, 50W-IC (FITS IN JBOX) | 60W                      | 2X60W                    | 96W                    |
| INPUT VOLTAGE   | 120VAC                            | 120VAC                   | 120VAC                   | 120VAC                 |
| OUTPUT VOLTAGE  | 24VDC                             | 24VDC                    | 24VDC                    | 24VDC                  |
| DIMENSIONS  | 2.25" X 1.25" X 0.83"             | 8.125" X 2" X 1.75"      | 12.15" X 6.48" X 2.18"   | 9.25" X 3.5" X 2"      |
| CLASSIFICATION  | CLASS 2                           | CLASS 2                  | CLASS 2                  | CLASS 2                |
| IN WALL MOUNTING  | N/A                               | PSB-60W-ELV-24VDC-IW     | PSB-2X60W-ELV-24VDC-IW   | PSB-100W-ELV-24VDC-IW  |
| ELECTRONIC LOW-VOLTAGE (ELV) POWER SUPPLIES & RECOMMENDED DIMMERS†‡ |                                   |                          |                          |                        |
| ORDERING CODES  | PSB-2X100W-ELV-24VDC<br>          | PSB-3X100W-ELV-24VDC<br> | PSB-4X100W-ELV-24VDC<br> |                        |
| SPECIFICATIONS  |                                   |                          |                          |                        |
| MAXIMUM LOAD  | 2X96W                             | 3X96W                    | 4X96W                    |                        |
| INPUT VOLTAGE   | 120VAC                            | 120VAC                   | 120VAC                   |                        |
| OUTPUT VOLTAGE  | 24VDC                             | 24VDC                    | 24VDC                    |                        |
| DIMENSIONS  | 12.15" X 6.48" X 2.18"            | 14" X 10" X 3"           | 17" X 13" X 3"           |                        |
| CLASSIFICATION  | CLASS 2                           | CLASS 2                  | CLASS 2                  |                        |
| IN WALL MOUNTING  | PSB-2X100W-ELV-24VDC-IW           | N/A                      | N/A                      |                        |
| DIMMING AND CONTROLS  |                                   |                          |                          |                        |
| LUTRON DIVA: DVELV-300P   | •                                 | •                        | •                        |                        |
| LUTRON SKYLARK: SELV-300P   | •                                 | •                        | •                        |                        |
| LUTRON RADIO RA2: RRD-6NA   | •                                 | •                        | •                        |                        |
| LUTRON MAESTRO: MAELV-600   | •                                 | •                        | •                        |                        |
| LEGRAND ADORNE: ADTP-703TUM4  | •                                 | •                        | •                        |                        |

†22K - 57K color temperatures are compatible with 0-10V, ELV, and Lutron Hi-lume® Power Supplies. Warm Dim (27D, 30D) color temperatures are only compatible with ELV power supplies. Tunable White (2K4K) color temperature is compatible with 0-10V, ELV, DMX, and Lutron Hi-lume® Power Supplies. Dynamic Color (RGB, RGB+W) and Static Color (Amber, Blue, Green, or Red) are compatible with DMX Power Supplies.

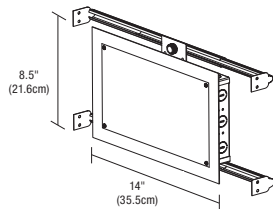
‡Electrical Panels using Seimens/Murray AFCI breakers are not compatible with this ELV transformer. Use 0-10 Volt power supplies with this breaker

With N-Lite Dimming Do not use ELV power supplies, use only 0-10 volt or Uni drivers power supplies



**5.1 x 14.25 inch In-Wall Mounting Kit:** Includes power supply, box cover and stud hangers for installing Junction Box in wall. Select "IW" in the options section of compatible power supply ordering codes if an In-Wall Mounting Kit is needed.

**Ordering Codes:** PSB-60W-ELV-24VDC-IW  
PSB-100W-ELV-24VDC-IW



**8.5 x 14 inch In-Wall Mounting Kit:** Includes power supply, box cover and stud hangers for installing Junction Box in wall. Select "IW" in the options section of compatible power supply ordering codes if an In-Wall Mounting Kit is needed.

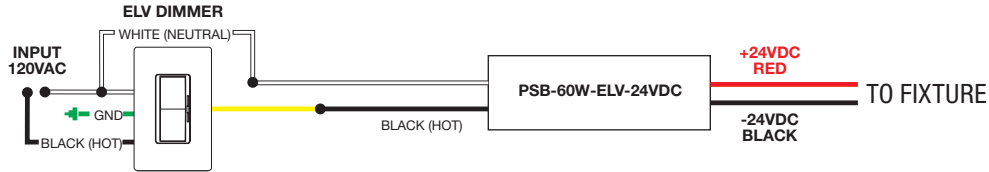
**Ordering Codes:** PSB-2X60W-ELV-24VDC-IW  
PSB-2X100W-ELV-24VDC-IW

|         |              |      |
|---------|--------------|------|
| PROJECT | FIXTURE TYPE | DATE |
|---------|--------------|------|

**SAMPLE WIRING DIAGRAMS 24VDC ELV**

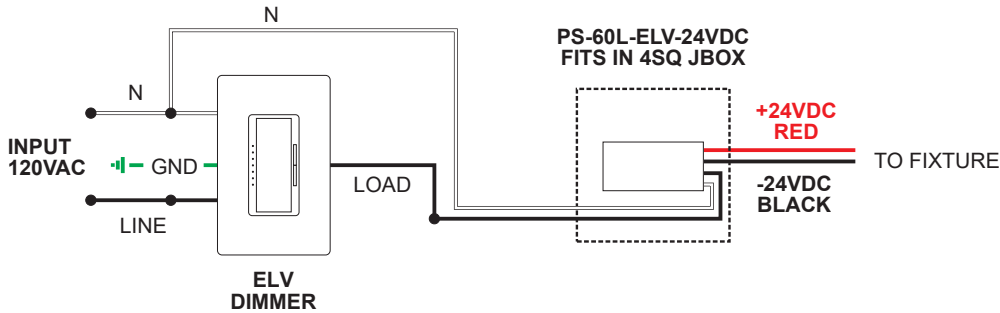
**Application:** ELV dimming for Static White

**Dimming:** Dimmable with ELV dimmer: Legrand, Adorne ADTP703TU; Lutron: Diva DVELV-300P, Skylark SELV-300P, Maestro MAELV-600 and Radio Ra 2



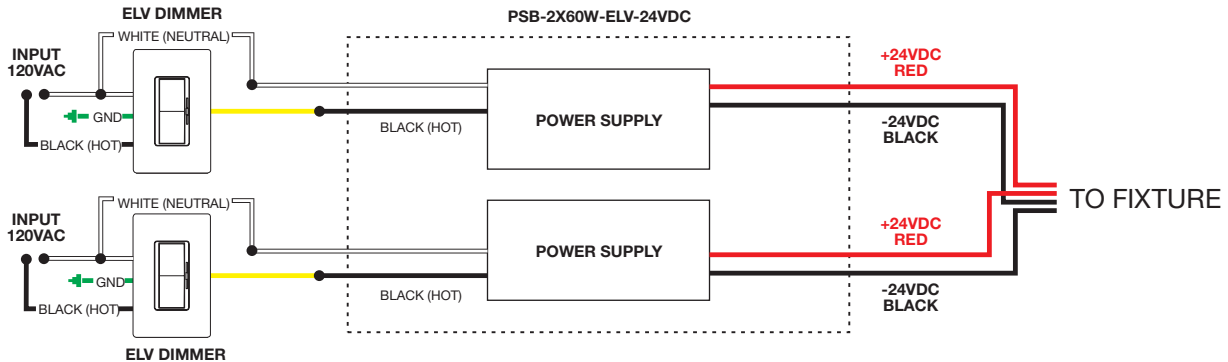
**Application:** ELV dimming for Static White

**Dimming:** Dimmable with ELV dimmer: Legrand, Adorne ADTP703TU; Lutron: Diva DVELV-300P, Skylark SELV-300P, Maestro MAELV-600 and Radio Ra 2









**Application:** Dual ELV dimming for Dynamic/Tunable White 2000K-4000K

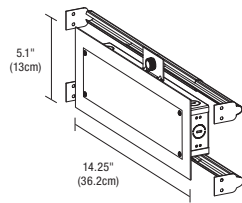
**Dimming:** Dimmable with ELV dimmer: Legrand, Adorne ADTP703TU; Lutron: Diva DVELV-300P, Skylark SELV-300P, Maestro MAELV-600 and Radio Ra 2



|         |              |      |
|---------|--------------|------|
| PROJECT | FIXTURE TYPE | DATE |
|---------|--------------|------|

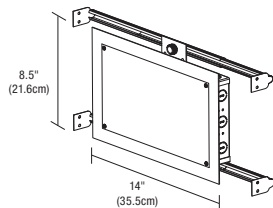
| 0-10 VOLT (010) POWER SUPPLIES & RECOMMENDED DIMMERS† |  |  |  |  |
|---|--|--|--|--|
| ORDERING CODE   | PSB-25W-010-24VDC<br> | PSB-60W-010-24VDC<br> | PSB-96W-010-24VDC<br> | PSB-2X96W-010-24VDC<br> |
| SPECIFICATIONS  |  |  |  |  |
| MAXIMUM LOAD  | 25W  | 60W  | 96W  | 2X96W  |
| INPUT VOLTAGE   | 120VAC   | 120-277VAC   | 120-277VAC   | 120-277VAC   |
| OUTPUT VOLTAGE  | 24VDC  | 24VDC  | 24VDC  | 24VDC  |
| DIMENSIONS  | 12.4" X 3.12" X 2.18"  | 12.4" X 3.12" X 2.18"  | 12.4" X 3.12" X 2.18"  | 12.15" X 6.48" X 2.18"   |
| CLASSIFICATION  | CLASS 2  | CLASS 2  | CLASS 2  | CLASS 2  |
| IN-WALL MOUNTING                                      | PSB-25W-010-24VDC-IW   | PSB-60W-010-24VDC-IW   | PSB-96W-010-24VDC-IW   | PSB-2X96W-010-24VDC-IW   |

| 0-10 VOLT (010) POWER SUPPLIES & RECOMMENDED DIMMERS† |  |  |  |
|---|--|--|--|
| ORDERING CODE   | PSB-3X96W-010-24VDC<br> | PSB-4X96W-010-24VDC<br> |  |
| SPECIFICATIONS  |  |  |  |
| MAXIMUM LOAD  | 3X96W  | 4X96W  |  |
| INPUT VOLTAGE   | 120-277VAC   | 120-277VAC   |  |
| OUTPUT VOLTAGE  | 24VDC  | 24VDC  |  |
| DIMENSIONS  | 14" X 10" X 3"   | 17" X 13" X 3"   |  |
| CLASSIFICATION  | CLASS 2  | CLASS 2  |  |
| IN-WALL MOUNTING                                      | N/A  | N/A  |  |
| DIMMING & CONTROLS                                    |  |  |  |
| PHILIPS SUNRISE: SR1200ZTUNV                          | •  | •  |  |
| LUTRON DIVA: DVTV-WH, DVSTV-WH                        | •  | •  |  |
| LUTRON NOVA T: NTSTV-DV-XX                            | •  | •  |  |
| LUTRON GRAFIX EYE QS: QSGRJ-XP                        | •  | •  |  |
| LUTRON RADIO RA2: RRD-10ND                            | •  | •  |  |
| LEVITON: LEV40050                                     | •  | •  |  |
| LEVITON IP710-LFZ                                     | •  | •  |  |
| LEGRAND: ADPD4FBL3P2W4                                | •  | •  |  |



**5.1 x 14.25 inch In-Wall Mounting Kit:** Includes power supply, box cover and stud hangers for installing Junction Box in wall. Select "IW" in the options section of compatible power supply ordering codes if an In-Wall Mounting Kit is needed.

**Ordering Codes:** PSB-25W-010-24VDC-IW, PSB-60W-010-24VDC-IW, PSB-96W-010-24VDC-IW



**8.5 x 14 inch In-Wall Mounting Kit:** Includes power supply, box cover and stud hangers for installing Junction Box in wall. Select "IW" in the options section of compatible power supply ordering codes if an In-Wall Mounting Kit is needed.

**Ordering Codes:** PSB-2X96W-010-24VDC-IW

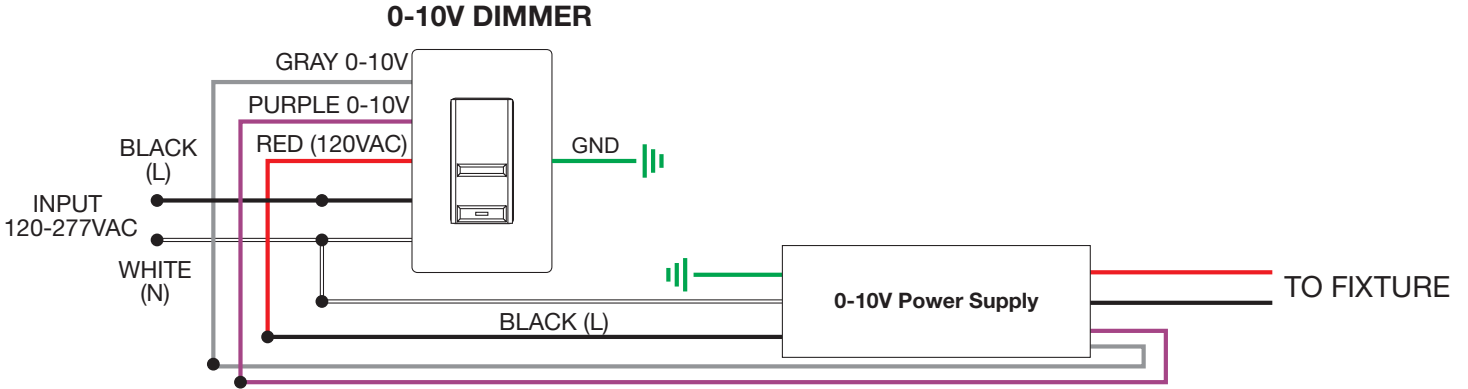
|         |              |      |
|---------|--------------|------|
| PROJECT | FIXTURE TYPE | DATE |
|---------|--------------|------|



**SAMPLE WIRING DIAGRAMS 24VDC 010**

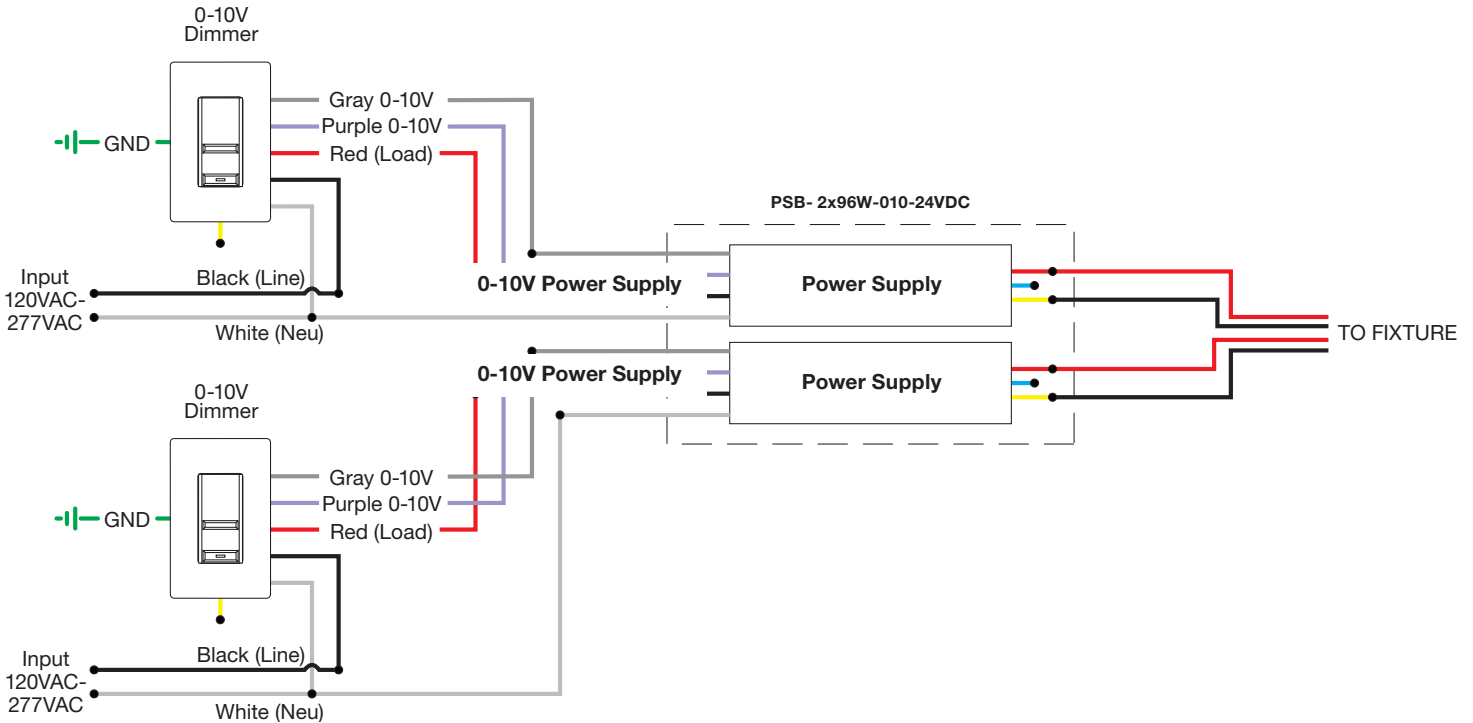
**Application:** 0-10V Dimming Applications For Static White and Dynamic Tunable White 0-10V Dual Dimming.

**Dimming:** Dimmable with 0-10V dimmers: Signify (Phillips) Sunrise: SR1200ZTUNV, Leviton Dimmers: LEV40050, IP710-LFZ, \*IP710-DLZ \*(Built in LED locator light) Legrand Dimmer: ADPD4FBL3P2W4 Lutron Systems: Lutron GRAFIX Eye QS Main Unit (with DRX-TVI) Radio Ra2 (with GRX-TVI)



**Application:** Dual 0-10V dimming for Dynamic/Tunable White 2000K-4000K

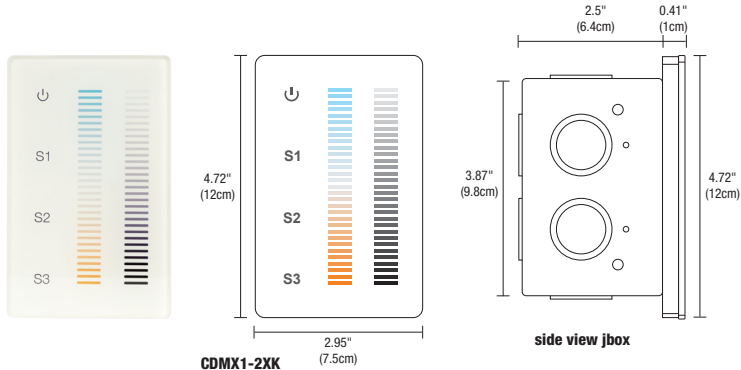
**Dimming:** Dimmable with Dual 0-10V dimmers: Signify (Phillips) Sunrise: SR1200ZTUNV, Leviton Dimmers: LEV40050, IP710-LFZ, \*IP710-DLZ \*(Built in LED locator light), Legrand Dimmer: ADPD4FBL3P2W4, Lutron Systems: Lutron GRAFIX Eye QS Main Unit (with DRX-TVI) Radio Ra2 (with GRX-TVI)



|         |              |      |
|---------|--------------|------|
| PROJECT | FIXTURE TYPE | DATE |
|---------|--------------|------|

# INDOOR CONSTANT VOLTAGE REMOTE POWER SUPPLIES

24VDC, DYNAMIC/TUNABLE WHITE POWER SUPPLIES WITH DMX DRIVER



### Description:

The Tunable White Touch Controller is a full-touch controller that offers fast and accurate color temperature adjustment and independent brightness dimming of a single zone. Designed for dynamic/tunable white and dual-color LED installations, this controller adjusts color temperature and brightness for warm and cool white LEDs. It also saves 3 preset scenes. Independent smooth dimming with 256 level brightness adjustment enables the DMX controller to achieve many colors within the full LED spectrum. Controller includes a power adapter that fits in junction box (not included) behind the controller. It contains an illuminated back light when powered off.

### Applications:

Indoor

### Power Input:

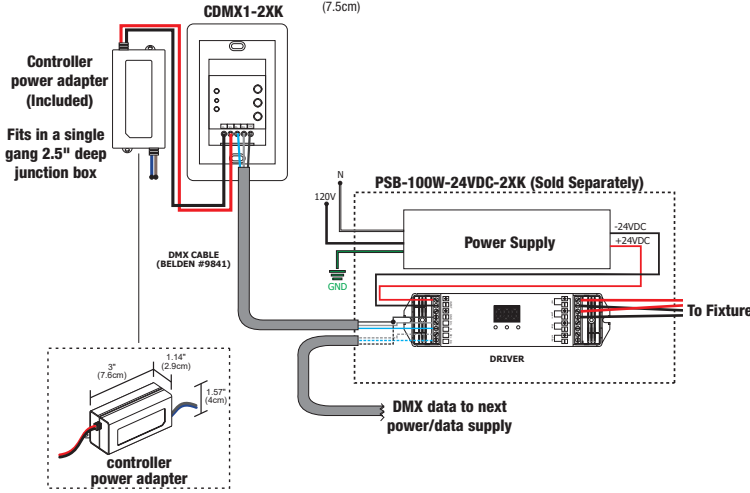
120-240VAC

### Installation:

Fits in a single gang 2.5 inch deep junction box, not to be used with a multi gang box

### Output Signal:

USITT DMX 512 (1990)



| Product                                | Type           | Finish    |
|--|----------------|-----------|
| <b>CDMX1</b>                           | <b>2XK</b>     | <b>WH</b> |
| CDMX1 DMX Single Zone Touch Controller | 2XK 2 X Kelvin | WH White  |

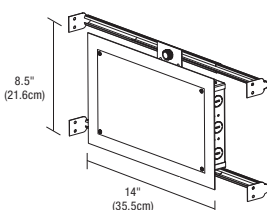
## DYNAMIC COLOR CHANGING (DMX) POWER SUPPLIES & RECOMMENDED CONTROLLERS<sup>1</sup>

| ORDERING CODE   | PSB-100W-24VDC-2XK    | PSB-2X100W-24VDC-2XK | PSB-3X100W-24VDC-2XK | PSB-4X100W-24VDC-2XK |
|---|-----------------------|----------------------|----------------------|----------------------|
|   |                       |                      |                      |                      |
| <b>SPECIFICATIONS</b>                                   |                       |                      |                      |                      |
| <b>MAXIMUM LOAD</b>                                     | 100W                  | 2X100W               | 3X100W               | 4X100W               |
| <b>INPUT VOLTAGE</b>                                    | 120-277VAC            | 120-277VAC           | 120-277VAC           | 120-277VAC           |
| <b>OUTPUT VOLTAGE</b>                                   | 24VDC                 | 24VDC                | 24VDC                | 24VDC                |
| <b>DIMENSIONS</b>                                       | 12.4" X 6.48" X 2.18" | 14" X 10" X 3"       | 17" X 10" X 3"       | 17" X 10" X 3"       |
| <b>CLASSIFICATION</b>                                   | CLASS 2               | CLASS 2              | CLASS 2              | CLASS 2              |
| <b>IN-WALL MOUNTING</b>                                 | PSB-100W-24VDC-2XK-IW | NA                   | NA                   | NA                   |
| <b>DMX DYNAMIC/TUNABLE WHITE DIMMING &amp; CONTROLS</b> |                       |                      |                      |                      |
| <b>TUNABLE WHITE TOUCH CONTROLLER (CDMX1-2XK)</b>       | •                     | •                    | •                    | •                    |

- Flicker free dimming
- Aluminum casing for optimal heat dissipation
- Isolated output power per NEC and UL safety requirements
- UL & ETL recognized/ listed, meets UL 8750, 1310 requirements
- Auto-reset; short circuit, overload and thermal protection
- Class 2 power supply
- Efficient, High power factor > 0.90

- The Solid State Constant Voltage Uni-Power Supply is compatible with most commercially available Dimmers:
  - Triac Dimmer: (Forward Phase) Typically used for the dimming of Incandescent and Low Voltage Magnetic Transformers
  - ELV Dimmer: (Reverse Phase) Dimming of Electronic Low Voltage Transformers and Power Supply's used for LED lighting
  - 0-10 Dimmer: Dims the Low Voltage side of a 0-10 volt power supply commonly used in large scale lighting or commercial applications.
- The Uni-Power Supply is recommended with any Siemens/Murray brand of arc fault breaker to overcome the issues with tripping the breakers with an ELV LED Low Voltage Drivers.




## IN WALL MOUNTING OPTIONS



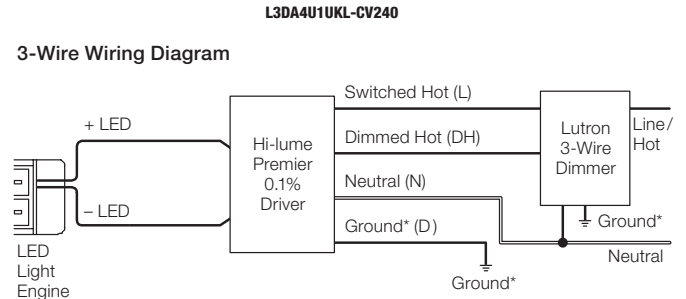
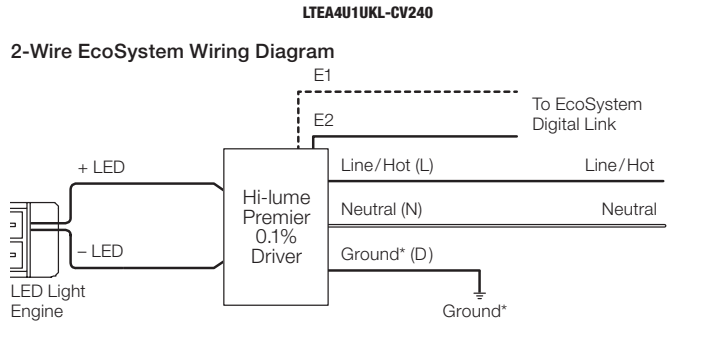
**8.5 x 14 inch In-Wall Mounting Kit:** Includes power supply, box cover and stud hangers for installing Junction Box in wall. Select "IW" in the options section of compatible power supply ordering codes if an In-Wall Mounting Kit is needed.

**Ordering Codes:** PSB-100W-24VDC-2XK-IW

|         |              |      |
|---------|--------------|------|
| PROJECT | FIXTURE TYPE | DATE |
|---------|--------------|------|

| LUTRON HI-LUME® PREMIER .1% ECOSYSTEM®† |   |  |   |
|---|---|--|---|
| ORDERING CODES                          | L3D0-96W24V-U   | 2-WIRE ECOSYSTEM<br>LTEA4U1UKL-CV240   | 3-WIRE ECOSYSTEM<br>L3DA4U1UKL-CV240  |
|   |  |  |  |
| <b>SPECIFICATIONS</b>                   |   |  |   |
| MAXIMUM LOAD                            | 96W   | 5W-40W   | 5W-40W  |
| INPUT VOLTAGE                           | 120-277VAC  | 120-277VAC   | 120-277VAC  |
| OUTPUT VOLTAGE                          | 24VDC   | 24VDC  | 24VDC   |
| DIMENSIONS                              | 10.5" X 5.5" X 2"   | 4" X 4.89" X 2.62"   | 4" X 4.89" X 2.62"  |
| CLASSIFICATION                          | CLASS 2   | CLASS 2  | CLASS 2   |
| <b>DIMMING AND CONTROLS</b>             |   |  |   |
| RADIO RA2                               | •   | •  | •   |
| HOMEWORKS QS                            | •   | •  | •   |
| PHPM-3F-120                             | •   | •  | •   |
| PHPM-3F-DV                              | •   | •  | •   |
| BCI-0-10                                | •   | •  | •   |

†24K - 57K color temperatures are compatible with 0-10V, ELV, and Lutron Hi-lume® Power Supplies. Warm Dim (27D, 30D) color temperatures are only compatible with ELV power supplies.



|         |  |              |  |      |  |
|---------|--|--------------|--|------|--|
| PROJECT |  | FIXTURE TYPE |  | DATE |  |
|---------|--|--------------|--|------|--|

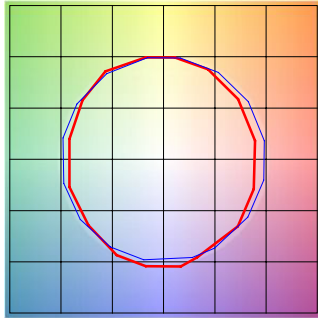
# VANITY TM30 DATA

## TUNABLE WHITE WITH REMOTE 24VDC POWER SUPPLY

**TM-30-15 DATA:** The data below is for SS5C bare LED Soft Strips. Consistent color temperatures throughout a single strip, and among multiple strips, is possible through a 3 phase binning process in which each order is inspected with a color meter to ensure uniformity.

### 2000K ONLY (2K4K) | Rf: 84.3 | Rg: 96.9

Color Vector Graphic

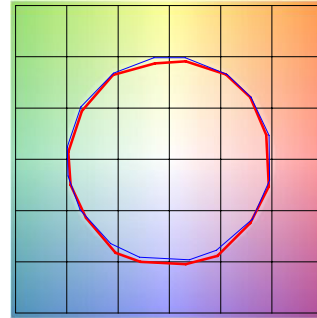


■ Test ■ Reference

| GRAPHIC SHIFTS % |      |        |        |
|------------------|------|--------|--------|
| HUE BIN          | Rf   | CHROMA | HUE    |
| 1                | 80.3 | -8.9%  | 1.7%   |
| 2                | 79.7 | -7.0%  | 7.8%   |
| 3                | 78.9 | -2.9%  | 10.0%  |
| 4                | 89.5 | -0.5%  | 5.1%   |
| 5                | 94.4 | 0.7%   | 1.7%   |
| 6                | 92.1 | 2.4%   | -0.3%  |
| 7                | 89.4 | -2.4%  | -5.9%  |
| 8                | 89.7 | -6.4%  | -0.2%  |
| 9                | 86.0 | -4.9%  | 4.6%   |
| 10               | 81.8 | -3.4%  | 9.3%   |
| 11               | 83.1 | 3.3%   | 9.7%   |
| 12               | 85.8 | 5.6%   | 3.3%   |
| 13               | 85.6 | 6.2%   | -12.8% |
| 14               | 61.7 | -1.9%  | -19.0% |
| 15               | 79.7 | -3.3%  | -12.9% |
| 16               | 78.1 | -7.9%  | -10.6% |

### 4000K ONLY (2K4K) | Rf: 89.6 | Rg: 99.1

Color Vector Graphic

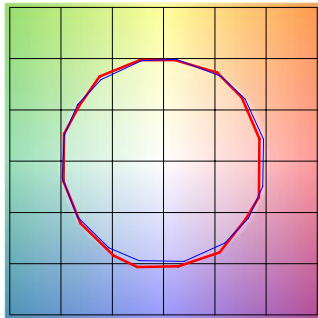


■ Test ■ Reference

| GRAPHIC SHIFTS % |      |        |       |
|------------------|------|--------|-------|
| HUE BIN          | Rf   | CHROMA | HUE   |
| 1                | 91.3 | -2.5%  | 1.0%  |
| 2                | 95.3 | -0.5%  | 0.5%  |
| 3                | 94.3 | -0.7%  | 1.1%  |
| 4                | 91.1 | -3.4%  | -1.1% |
| 5                | 89.5 | -5.6%  | 0.0%  |
| 6                | 94.6 | -1.4%  | 1.3%  |
| 7                | 93.2 | -3.0%  | 2.6%  |
| 8                | 91.3 | -1.8%  | 4.6%  |
| 9                | 86.5 | -0.9%  | 9.1%  |
| 10               | 83.3 | -0.5%  | 9.5%  |
| 11               | 83.3 | 4.9%   | 9.0%  |
| 12               | 89.7 | 4.1%   | 1.7%  |
| 13               | 90.1 | 3.6%   | -4.3% |
| 14               | 93.4 | 5.2%   | -2.1% |
| 15               | 87.4 | 0.4%   | -4.3% |
| 16               | 86.6 | 0.4%   | -6.1% |

### 2K4K (3000K) | Rf: 90.2 | Rg: 101.4

Color Vector Graphic



■ Test ■ Reference

| GRAPHIC SHIFTS % |      |        |        |
|------------------|------|--------|--------|
| HUE BIN          | Rf   | CHROMA | HUE    |
| 1                | 90.9 | -3.8%  | 1.3%   |
| 2                | 91.7 | -1.9%  | 3.3%   |
| 3                | 88.7 | 0.7%   | 5.1%   |
| 4                | 92.4 | -1.0%  | 0.7%   |
| 5                | 92.9 | 0.9%   | 1.7%   |
| 6                | 93.1 | 3.3%   | -0.6%  |
| 7                | 91.0 | -1.8%  | -0.4%  |
| 8                | 97.0 | 0.2%   | -1.1%  |
| 9                | 92.8 | -0.5%  | 3.6%   |
| 10               | 88.3 | 1.0%   | 7.0%   |
| 11               | 87.1 | 3.8%   | 7.8%   |
| 12               | 87.6 | 6.5%   | -0.3%  |
| 13               | 89.3 | 3.6%   | -6.3%  |
| 14               | 86.1 | 4.5%   | -9.1%  |
| 15               | 91.6 | -1.9%  | -3.1%  |
| 16               | 83.8 | -1.5%  | -11.2% |

|         |              |      |
|---------|--------------|------|
| PROJECT | FIXTURE TYPE | DATE |
|---------|--------------|------|