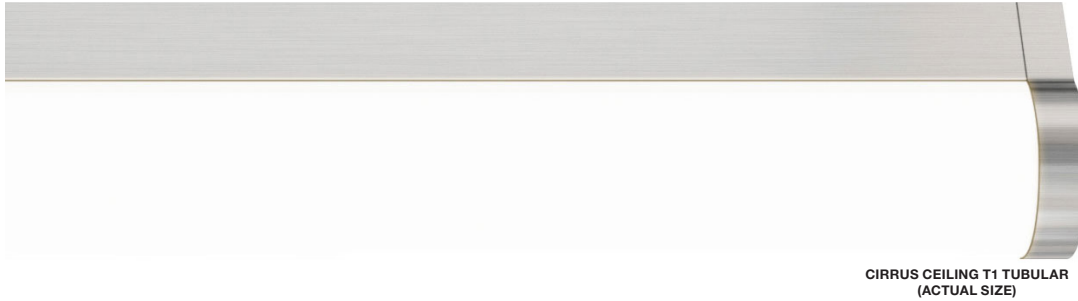


CIRRUS CEILING T1

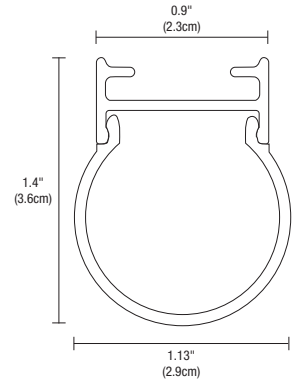
TUBULAR 1 WITH REMOTE POWER

DESIGNED BY GREGORY KAY | ASSEMBLED IN AMERICA

REV 08.27.20



CIRRUS CEILING T1 TUBULAR (ACTUAL SIZE)



CIRRUS CEILING T1 TUBULAR LENS (ACTUAL SIZE)

DESCRIPTION

Cirrus Ceiling T1 is a linear LED fixture that offers direct light in a clean, contemporary style. Cirrus is available in various increments from 12" to 480" (40'), a 176° beam spread, and a variety of finishes with Warm Dim, Dynamic/Tunable White and RGB options. Fixture includes a 5 year pro-rated warranty. For custom designs and quotes, send drawings to design@PureEdgeLighting.com

Wattages for this fixture are available in the following options:

- 2W - 2.5 Watts per Foot, Lengths up to 480" (40')
- 5W - 4.4 Watts per Foot, Lengths up to 240" (20')
- 7W - 7.3 Watts per Foot, Lengths up to 156" (13')

INSTALLATION

- Mounts to a Standard Junction Box, pre-wired from a 60 Watt Non-IC (50W-IC) Power Supply that fits in the ceiling electrical Junction Box or from a Remote Power Supply up to 100 Watts at a maximum 40' away
- Includes your choice of Canopy: 1" Rectangle Junction Box or 4.6" Square Canopy
- Includes Mounting Clips (every 18")
- Remote Power Supply sold separately

FINISHES



Satin Black **BK** Antique Bronze **BZ** Chrome **CH** Satin Aluminum **SA** Satin Nickel **SN** White **WH**

LENSES

Diffused White T1 Tubular Lens 176° Beam Spread

APPLICATIONS

Indoor - Kitchens, Dining Rooms, Hallways, Conference Rooms, Offices, Architectural, General, and Retail

LAMPING

- Warm Dim (optional): 2700K-2000K (**27D**) or 3000K-2000K (**30D**)
- Tunable White (optional): 2000K-4000K
- RGB (optional): Red, Green, and Blue
- 50,000 Hour Lamp Life

REMOTE POWER SUPPLIES*, DIMMERS & CONTROLS (SOLD SEPARATELY)

- Electronic Low Voltage Dimming (**ELV**): 100 Watt Class 2
- 0-10 Volt Dimming (**0-10V**)
- Lutron Hi-Lume®
- DMX Dynamic Color Changing

*In-Wall Mounting Kits available for select power supplies Dimmers not available through PureEdge Lighting

System	Wattage Per Foot	Canopy	Nominal Size	Color Temperature	Finish
CCT1	2W	1R	480	22K	SN
CCT1 Cirrus Ceiling Tubular 1	2W 2.5 Watts (480" max, 40') 5W 4.4 Watts (240" max, 20') 7W 7.3 Watts (156" max, 13')	1R 1" Rectangle Canopy 4S 4.6" Square Split Canopy TBA Clips with 2ft Teflon plenum power feed, use for 15/16" or 9/16" Wide T-Bar Flush mounted ceiling panels, pg 7 TBB Clips with 2ft Teflon plenum power feed, use for 15/16" or 9/16" wide T-Bar with ceiling panel 3/8" below grid, pg 7 TBE Clips with 2ft Teflon plenum power feed, use for 9/16" wide Slotted T-Bar, pg 7	12-480 Order in various increments from 12" to 480" (Maximum shipping length). Maximum shipping length for Chrome is 84". *See length chart on pg 4 for exact dimensions	22K 2200K Amber White 24K 2400K Very Warm White 27K 2700K Incandescent White 27D 2700K Warm Dim (5W only) 30K 3000K Warm White 30D 3000K Warm Dim (5W only) 35K 3500K Neutral White 40K 4000K Cool White 57K 5700K Daylight White 2K4K 2000K-4000K Tunable White (5W only, 36' max) RGB Red, Green, Blue (5W only, 20' max)	BK Satin Black BZ Antique Bronze CH Chrome SA Satin Aluminum SN Satin Nickel WH White

PROJECT	FIXTURE TYPE	DATE
---------	--------------	------

CIRRUS CEILING T1

TUBULAR 1 WITH REMOTE POWER

NOMINAL LAMP DATA: Lamp data Cirrus Ceiling T1

DESCRIPTION	CCT1																										
	DIFFUSED TUBULAR 1 LENS																										
	2W (2.5 watts)					5W (4.4 watts)					7W (7.3 watts)																
WATTS PER FOOT	2W (2.5 watts)					5W (4.4 watts)					7W (7.3 watts)																
COLOR TEMPERATURE	22K	24K	27K	27D*	30K	30D*	35K	40K	57K	22K	24K	27K	27D*	30K	30D*	35K	40K	57K	22K	24K	27K	27D*	30K	30D*	35K	40K	57K
LUMENS PER FOOT (lm/ft)	121	135	148		162		185	201	214	271	300	330		361		413	449	478	402	446	491		537		615	669	711
LUMENS PER WATT (lm/w)	48	54	59		65		74	81	86	62	68	75		82		93	102	108	55.5	61	67		73		84	91	88
CRI	85+	90+	95+		95+		85+	84	84	85+	90+	95+		95+		85+	84	84	85+	90+	95+		95+		85+	84	84

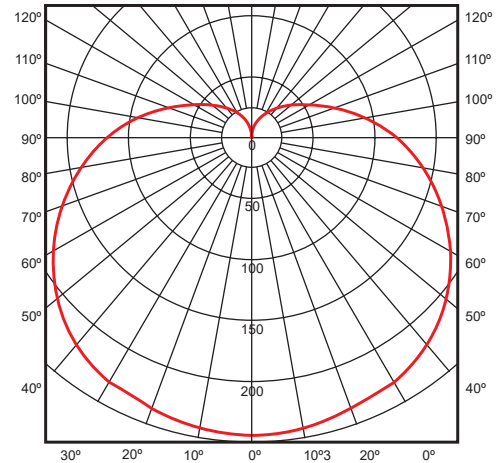
*27D, 30D - Warm Dim (4.8 Watts)

2 Watt, 176° @ 3000K		5 Watt, 176° @ 3000K		7 Watt, 176° @ 3000K	
Distance	Foot Candles	Distance	Foot Candles	Distance	Foot Candles
1'	69	1'	111	1'	180
1.5'	46	1.5'	75	1.5'	120
2'	35	2'	56	2'	90
3'	23	3'	37	3'	60
4'	16	4'	27	4'	43
5'	12	5'	19	5'	33
6'	10	6'	15	6'	26
7'	8	7'	12	7'	21
8'	7	8'	10	8'	18

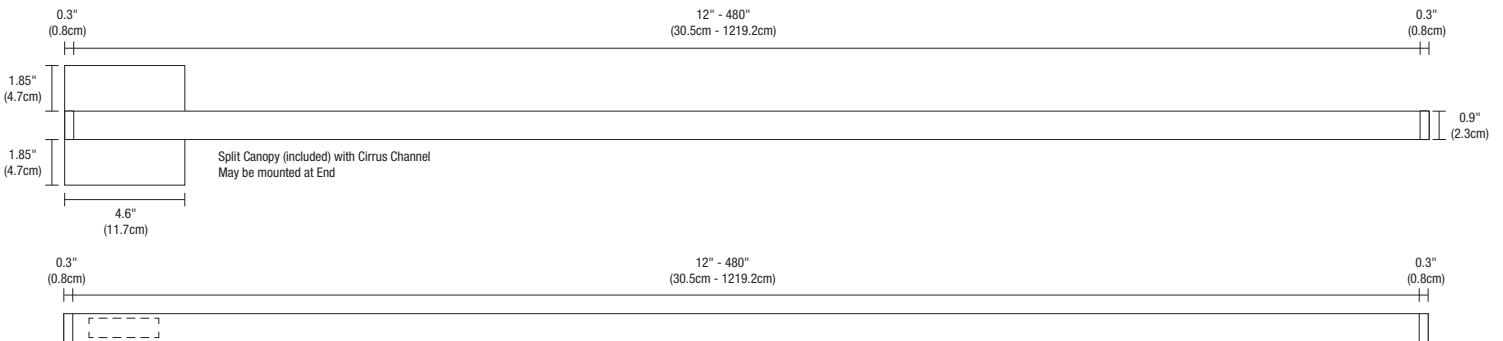
Beam Spread Chart
CCT1 3000K 5 Watt 176°



CANDLE POWER DISTRIBUTION 176°



NOMINAL LAMP DATA: Lamp data Cirrus Ceiling T1



PROJECT	FIXTURE TYPE	DATE
---------	--------------	------

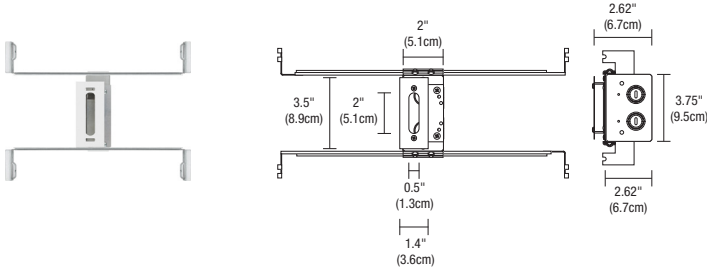
COMPONENTS J-box, Split Canopies, & Mounting Clips are included and sold separately for replacement

1" RECTANGLE CANOPY & J-BOX

(INCLUDED WITH 1R SELECTED IN FIXTURE ORDERING CODE)

The Slim-Profile Junction Box with Hanger Bars mounts to studs spaced between 14.5" and 25" apart behind drywall. Allows low voltage DC wires from Remote Power Supply to connect to channel wires.

The Junction Box opening is covered by the fixture for a clean, safe connection. Includes a Goof Plate, for poor plastering around J-box.

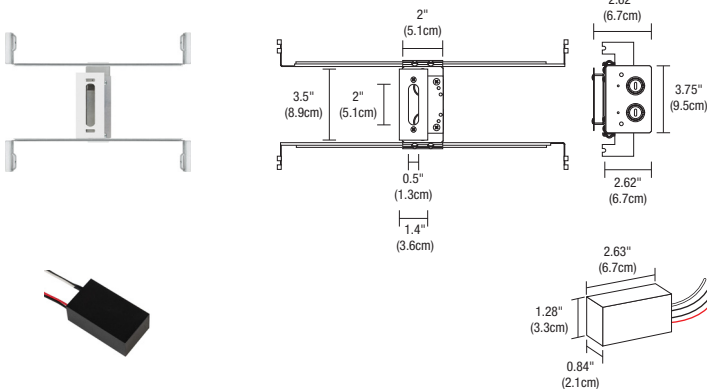


System	Canopy	Product
C	1RE	JBOX
C Channel	1RE 1" Rectangle	JBOX Junction Box

1" RECTANGLE CANOPY & J-BOX WITH 50W POWER SUPPLY
(ORDER SEPARATELY)

The Slim-Profile Junction Box with Hanger Bars mounts to studs spaced between 14.5" and 25" apart behind drywall. Allows low voltage DC wires from included power supply to connect to channel wires.

The Junction Box opening is covered by the fixture for a clean, safe connection. Rated 60 watts for Non-Insulated Ceiling or Wall Power Supply. Rated 50 watts for Insulated Ceiling. Includes a Goof Plate, for poor plastering around J-box.

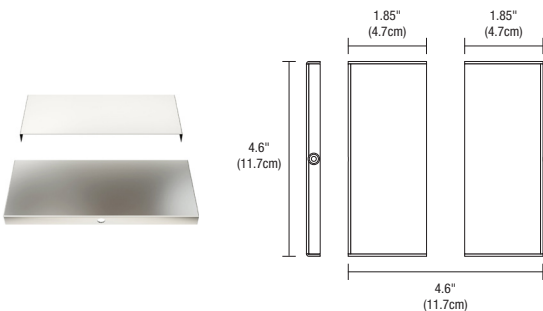


System	Canopy	Product	Watts	Insulation
CV2	1RE	JBOX	50W	IC
CV2 Channel 24V	1RE 1" Rectangle	JBOX Junction Box	50W 50 Watts	IC Insulated Ceiling

4" SQUARE SPLIT CANOPY

(INCLUDED WITH 4S SELECTED IN FIXTURE ORDERING CODE)

The 4" Square Canopy fits on a standard 4" electrical box with round plaster ring. It fits flush along channel while covering Junction Box. The Canopy may float anywhere along the channel and comes in six finishes.



System	Canopy	Finish
CC	4SQ	SN
CC Cirrus Ceiling	4SQ 4.6" Split Square	BK Satin Black BZ Antique Bronze CH Chrome SB Satin Brass SN Satin Nickel WH White

PROJECT		FIXTURE TYPE		DATE	
---------	--	--------------	--	------	--



CIRRUS CEILING T1

TUBULAR 1 WITH REMOTE POWER



REV 08.27.20

Length Chart: Actual lengths for Cirrus Ceiling T1

22K, 24K, 27K, 30K, 35K, 40K, 57K, 2K4K & RGB								
Ordering Code (Nominal Size)	Actual Length (Inches)	Actual Length (Chrome)	Ordering Code (Nominal Size)	Actual Length (Inches)	Actual Length (Chrome)	Ordering Code (Nominal Size)	Actual Length (Inches)	Actual Length (Chrome)
12	13.0	13.0	168	169.4	169.4	324	325.8	326.2
15	15.4	15.4	171	171.8	172.2	327	328.2	328.6
17	17.8	17.8	173	174.2	174.6	329	330.6	331.0
20	20.2	20.2	176	176.6	177.0	332	333.0	333.4
22	22.6	22.6	178	179.0	179.4	334	335.4	335.8
24	25.0	25.0	180	181.4	181.8	336	337.8	338.2
27	27.4	27.4	183	183.8	184.2	339	340.2	341.0
29	29.8	29.8	185	186.2	186.6	341	342.6	343.4
32	32.2	32.2	188	188.6	189.0	344	345.0	345.8
34	34.6	34.6	190	191.0	191.4	346	347.4	348.2
36	37.0	37.0	192	193.4	193.8	348	349.8	350.6
39	39.4	39.4	195	195.8	196.2	351	352.2	353.0
41	41.8	41.8	197	198.2	198.6	353	354.6	355.4
44	44.2	44.2	200	200.6	201.0	356	357.0	357.8
46	46.6	46.6	202	203.0	203.4	358	359.4	360.2
48	49.0	49.0	204	205.4	205.8	360	361.8	362.6
51	51.4	51.4	207	207.8	208.2	363	364.6	365.0
53	53.8	53.8	209	210.2	210.6	365	367.0	367.4
56	56.2	56.2	212	212.6	213.0	368	369.4	369.8
58	58.6	58.6	214	215.0	215.4	370	371.8	372.2
60	61.0	61.0	216	217.4	217.8	372	374.2	374.6
63	63.4	63.4	219	219.8	220.2	375	376.6	377.0
65	65.8	65.8	221	222.2	222.6	377	379.0	379.4
68	68.2	68.2	224	224.6	225.0	380	381.4	381.8
70	70.6	70.6	226	227.0	227.4	382	383.8	384.2
72	73.0	73.0	228	229.4	229.8	384	386.2	386.6
75	75.4	75.4	231	231.8	232.2	387	388.6	389.0
77	77.8	77.8	233	234.2	234.6	389	391.0	391.4
80	80.2	80.2	236	236.6	237.0	392	393.4	393.8
82	82.6	82.6	238	239.0	239.4	394	395.8	396.2
84	85.0	85.0	240 (2K4K & RGB max)	241.4	241.8	396	398.2	398.6
87	87.4	87.8	243	244.2	244.2	399	400.6	401.0
89	89.8	90.2	245	246.6	246.6	401	403.0	403.4
92	92.2	92.6	248	249.0	249.0	404	405.4	405.8
94	94.6	95.0	250	251.4	251.4	406	407.8	408.2
96	97.0	97.4	252	253.8	253.8	408	410.2	410.6
99	99.4	99.8	255	256.2	256.6	411	412.6	413.0
101	101.8	102.2	257	258.6	259.0	413	415.0	415.4
104	104.2	104.6	260	261.0	261.4	416	417.4	417.8
106	106.6	107.0	262	263.4	263.8	418	419.8	420.2
108	109.0	109.4	264	265.8	266.2	420	422.2	422.6
111	111.4	111.8	267	268.2	268.6	423	424.6	425.0
113	113.8	114.2	269	270.6	271.0	425	427.0	427.4
116	116.2	116.6	272	273.0	273.4	428	429.4	430.2
118	118.6	119.0	274	275.4	275.8	430	431.8	432.6
120	121.0	121.4	276	277.8	278.2	432	434.2	435.0
123	123.8	123.8	279	280.2	280.6	435	436.6	437.4
125	126.2	126.2	281	282.6	283.0	437	439.0	439.8
128	128.6	128.6	284	285.0	285.4	440	441.4	442.2
130	131.0	131.0	286	287.4	287.8	442	443.8	444.6
132	133.4	133.4	288	289.8	290.2	444	446.2	447.0
135	135.8	135.8	291	292.2	292.6	447	448.6	449.4
137	138.2	138.2	293	294.6	295.0	449	451.0	451.8
140	140.6	140.6	296	297.0	297.4	452	453.4	454.2
142	143.0	143.0	298	299.4	299.8	454	455.8	456.6
144	145.4	145.4	300	301.8	302.2	456	458.2	459.0
147	147.8	147.8	303	304.2	304.6	459	460.6	461.4
149	150.2	150.2	305	306.6	307.0	461	463.0	463.8
152	152.6	152.6	308	309.0	309.4	464	465.4	466.2
154	155.0	155.0	310	311.4	311.8	466	467.8	468.6
156	157.4	157.4	312	313.8	314.2	468	470.2	471.0
159	159.8	159.8	315	316.2	316.6	471	472.6	473.4
161	162.2	162.2	317	318.6	319.0	473	475.0	475.8
164	164.6	164.6	320	321.0	321.4	476	477.4	478.2
166	167.0	167.0	322	323.4	323.8	478	479.8	480.6
						480	482.2	483.0

PROJECT		FIXTURE TYPE		DATE	
---------	--	--------------	--	------	--



CIRRUS CEILING T1
TUBULAR 1 WITH REMOTE POWER



REV 08.27.20

Length Chart: Actual lengths for Cirrus Ceiling T1

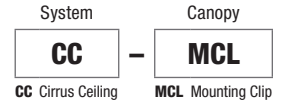
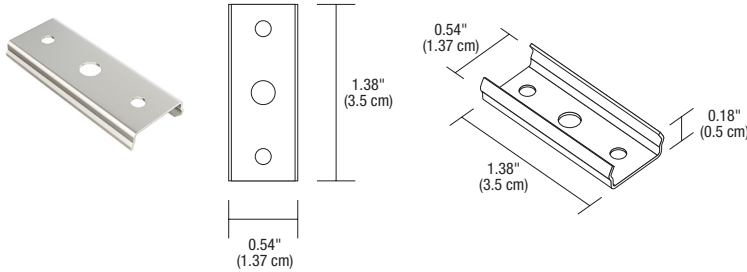
27D & 30D								
Ordering Code (Nominal Size)	Actual Length (Inches)	Actual Length (Chrome)	Ordering Code (Nominal Size)	Actual Length (Inches)	Actual Length (Chrome)	Ordering Code (Nominal Size)	Actual Length (Inches)	Actual Length (Chrome)
12	13.0	13.0	150	151.4	151.4	288	289.8	290.2
15	16.0	16.0	153	154.4	154.4	291	292.8	293.2
18	19.0	19.0	156	157.4	157.4	294	295.8	296.2
21	22.0	22.0	159	160.4	160.4	297	298.8	299.2
24	25.0	25.0	162	163.4	163.4	300	301.8	302.2
27	28.0	28.0	165	166.4	166.4	303	304.8	305.2
30	31.0	31.0	168	169.4	169.4	306	307.8	308.2
33	34.0	34.0	171	172.4	172.8	309	310.8	311.2
36	37.0	37.0	174	175.4	175.8	312	313.8	314.2
39	40.0	40.0	177	178.4	178.8	315	316.8	317.2
42	43.0	43.0	180	181.4	181.8	318	319.8	320.2
45	46.0	46.0	183	184.4	184.8	321	322.8	323.2
48	49.0	49.0	186	187.4	187.8	324	325.8	326.2
51	52.0	52.0	189	190.4	190.8	327	328.8	329.2
54	55.0	55.0	192	193.4	193.8	330	331.8	332.2
57	58.0	58.0	195	196.4	196.8	333	334.8	335.2
60	61.0	61.0	198	199.4	199.8	336	337.8	338.2
63	64.0	64.0	201	202.4	202.8	339	340.8	341.6
66	67.0	67.0	204	205.4	205.8	342	343.8	344.6
69	70.0	70.0	207	208.4	208.8	345	346.8	347.6
72	73.0	73.0	210	211.4	211.8	348	349.8	350.6
75	76.0	76.0	213	214.4	214.8	351	352.8	353.6
78	79.0	79.0	216	217.4	217.8	354	355.8	356.6
81	82.0	82.0	219	220.4	220.8	357	358.8	359.6
84	85.0	85.0	222	223.4	223.8	360	361.8	362.6
87	88.0	88.4	225	226.4	226.8	363	365.2	365.6
90	91.0	91.4	228	229.4	229.8	366	368.2	368.6
93	94.0	94.4	231	232.4	232.8	369	371.2	371.6
96	97.0	97.4	234	235.4	235.8	372	374.2	374.6
99	100.0	100.4	237	238.4	238.8	375	377.2	377.6
102	103.0	103.4	240	241.4	241.8	378	380.2	380.6
105	106.0	106.4	243	244.8	244.8	381	383.2	383.6
108	109.0	109.4	246	247.8	247.8	384	386.2	386.6
111	112.0	112.4	249	250.8	250.8	387	389.2	389.6
114	115.0	115.4	252	253.8	253.8	390	392.2	392.6
117	118.0	118.4	255	256.8	257.2	393	395.2	395.6
120	121.0	121.4	258	259.8	260.2	396	398.2	398.6
123	124.4	124.4	261	262.8	263.2	399	401.2	401.6
126	127.4	127.4	264	265.8	266.2	402	404.2	404.6
129	130.4	130.4	267	268.8	269.2	405	407.2	407.6
132	133.4	133.4	270	271.8	272.2	408	410.2	410.6
135	136.4	136.4	273	274.8	275.2	411	413.2	413.6
138	139.4	139.4	276	277.8	278.2	414	416.2	416.6
141	142.4	142.4	279	280.8	281.2	417	419.2	419.6
144	145.4	145.4	282	283.8	284.2	420	422.2	422.6
147	148.4	148.4	285	286.8	287.2			

PROJECT		FIXTURE TYPE		DATE	
---------	--	--------------	--	------	--

COMPONENTS J-box, Split Canopies, & Mounting Clips are included and sold separately for replacement

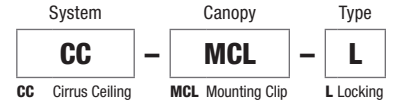
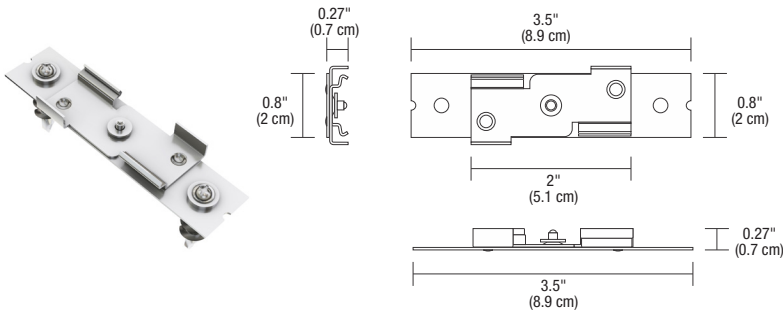
CEILING MOUNTING LOCKING CLIP (INCLUDED)

Ceiling Mounting spring clips are provided with every 2ft of Cirrus Ceiling Channel. The Clip snaps into the channel, staying securely fastened to the ceiling or wall.



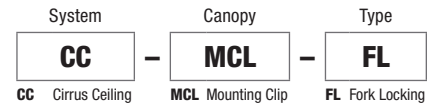
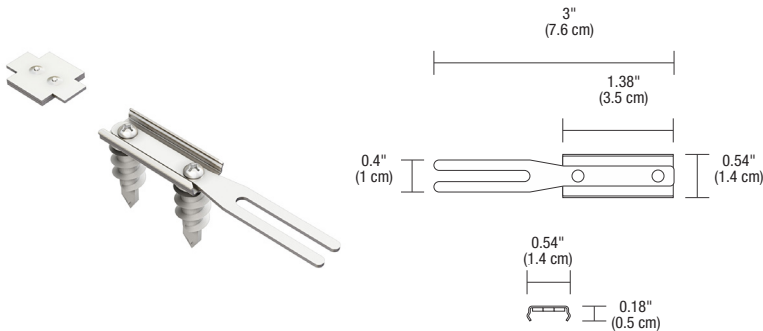
CEILING MOUNTING LOCKING CLIP (ORDER SEPARATELY)

Ceiling Mounting Locking Clips may be ordered separately for extra support. The channel slides into the clip and locks in place staying securely fastened to the ceiling or to the wall.



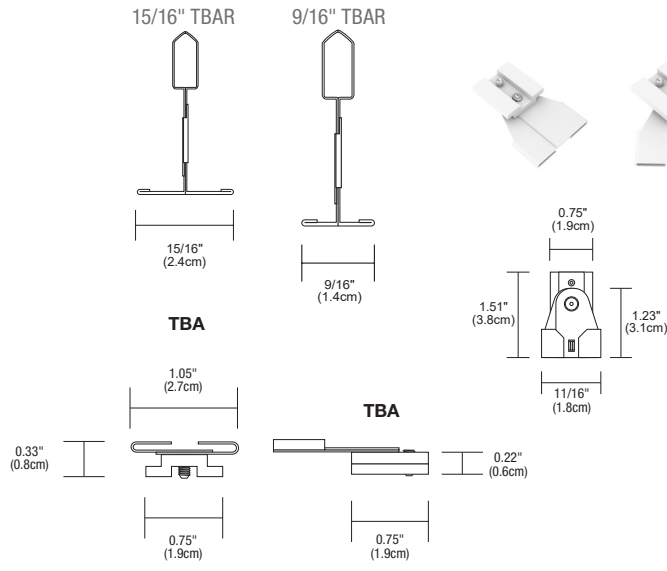
FORK LOCKING CLIP (ORDER SEPARATELY)

Fork locking clip for ceiling or wall Mounting. One locking Spring clip is provided with every Cirrus Channel. The the channel slides into the Fork locking Clip keeping the fixture secure.



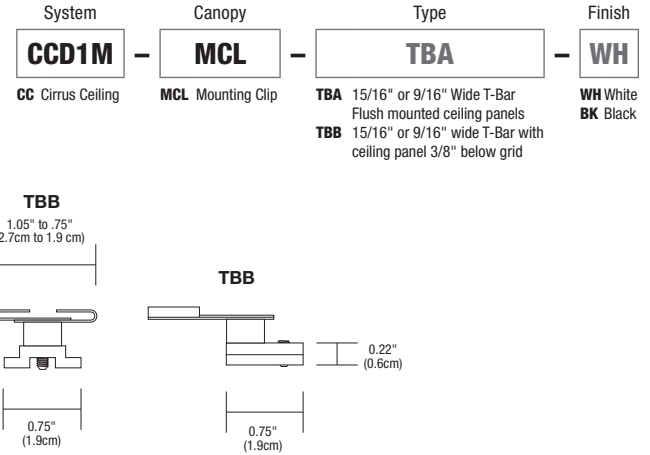
PROJECT		FIXTURE TYPE		DATE	
---------	--	--------------	--	------	--

COMPONENTS Connectors, End Cap, & Mounting Clips

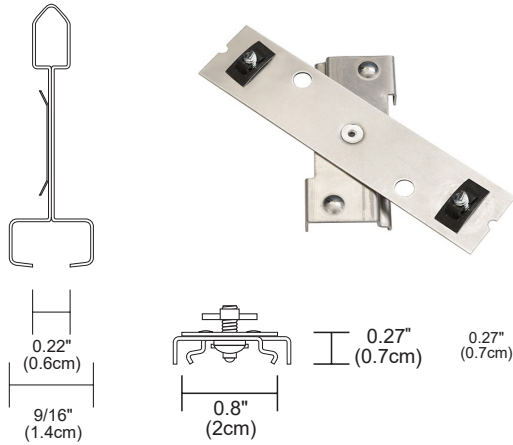


CEILING MOUNTING T-BAR CLIPS FOR 15/16" AND 9/16" CEILING GRID

Mounts flush anywhere along the 15/16" or 9/16" T-Bar grid. One clip included with every two feet of channel, order additional clips if needed.

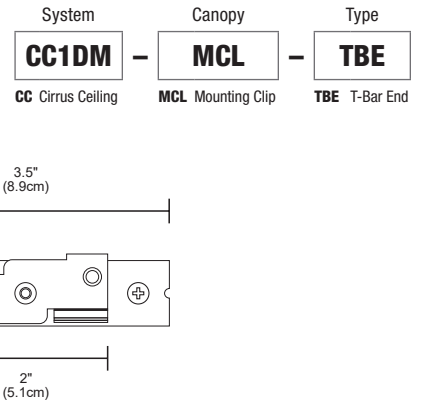


TBAR END



T-BAR END MOUNTING CLIP

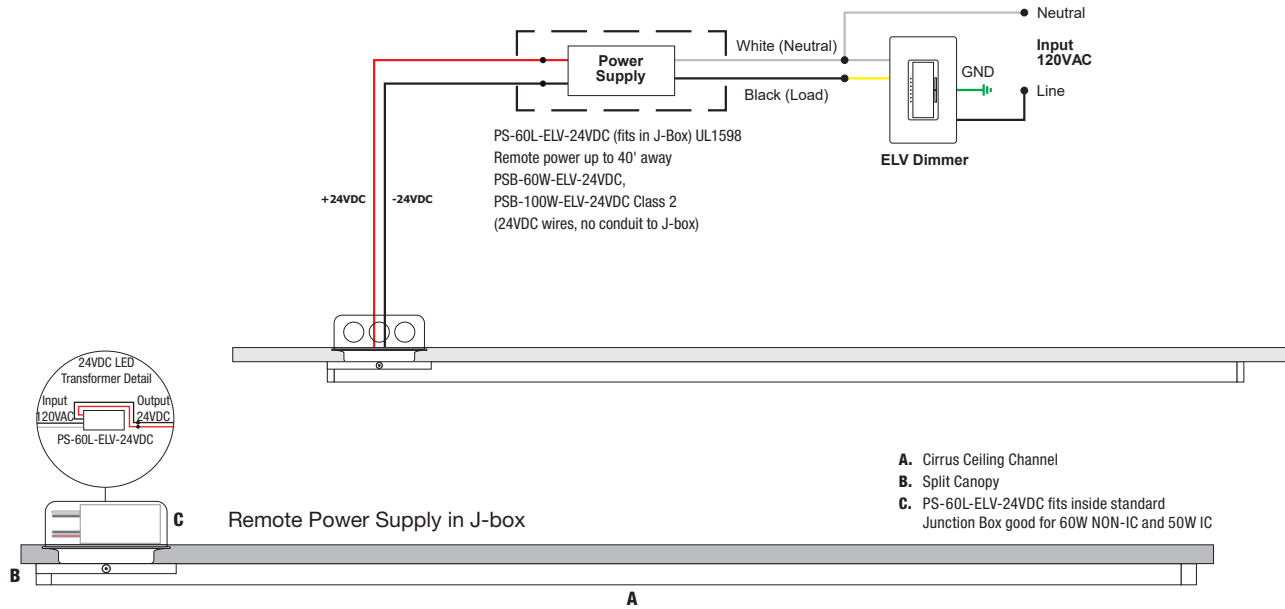
Mounts flush anywhere along the 9/16" T-Bar grid. One clip included with every two feet of channel, order additional clips if needed.



PROJECT	FIXTURE TYPE	DATE
---------	--------------	------

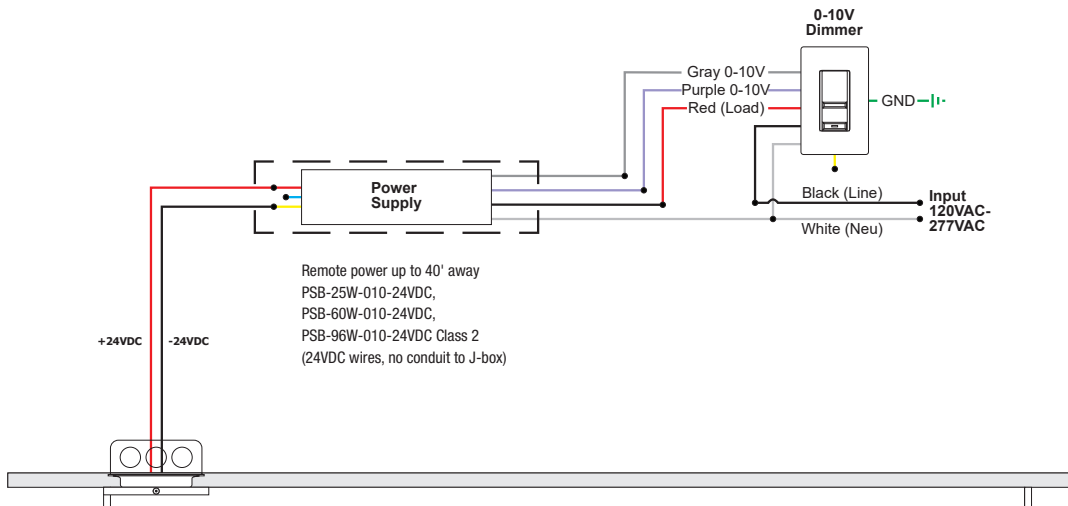
WIRING DIAGRAM Wiring Diagram for Static White Warm Dim Dynamic White with ELV Dimmer

- APPLICATION** ELV dimming for Cirrus Ceiling T1, Static White
- REMOTE POWER SUPPLY** Class 2: 24VDC output; 120VAC input | PS-60L-ELV-24VDC (fits in J-box) | PSB-60W-ELV-24VDC
PSB-100W-ELV-24VDC
- DIMMING** Dimmable with ELV dimmer: Legrand, Adorne ADTP703TU
Lutron: Diva DVELV-300P, Skylark SELVz-300P, Maestro MAELV-600 and Radio Ra 2



WIRING DIAGRAM Wiring Diagram for Static White with 0-10V Dimmer

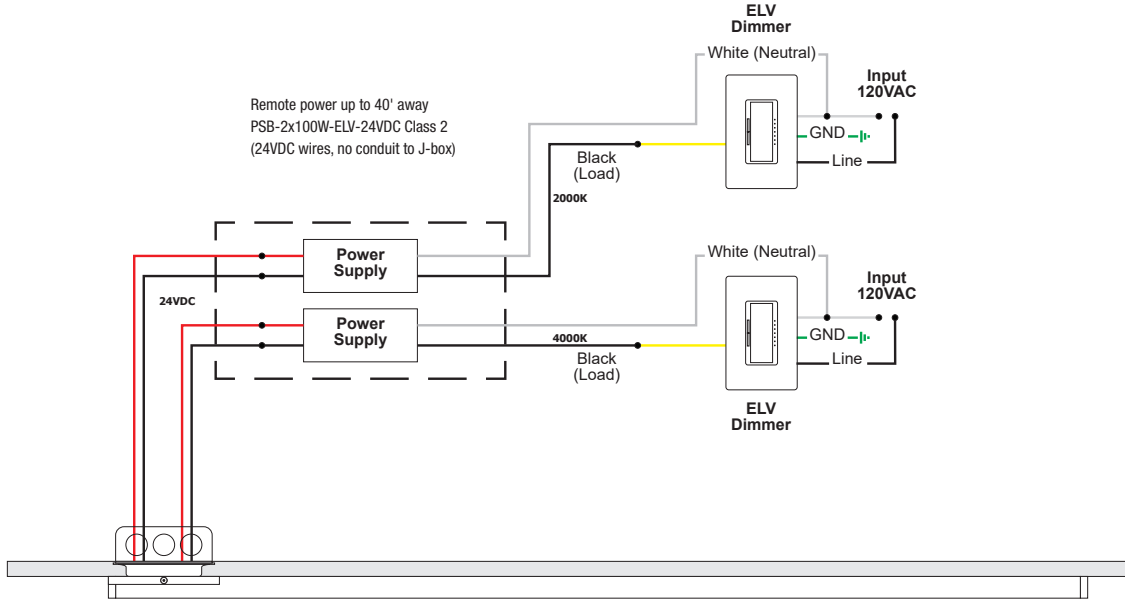
- APPLICATION** 0-10V dimming for Cirrus Ceiling T1, Static White
- REMOTE POWER SUPPLY** Class 2: 24VDC output; 120/277VAC input | PSB-60W-010-24VDC | PSB-100W-010-24VDC
- DIMMING** Dimmable with 0-10V dimmer: Philips: Sunrise SR1200ZTUNV; Lutron: Diva DVTV-WH, DVSTV-XX, Nova-T NTSTV-DV-XX, Grafix Eye QS QSGRJ-XP, Radio RA2 RRD-1-ND; Leviton: LEV40050, IP710-LFZ; Legrand ADPD4FBL3P2W4



PROJECT	FIXTURE TYPE	DATE
---------	--------------	------

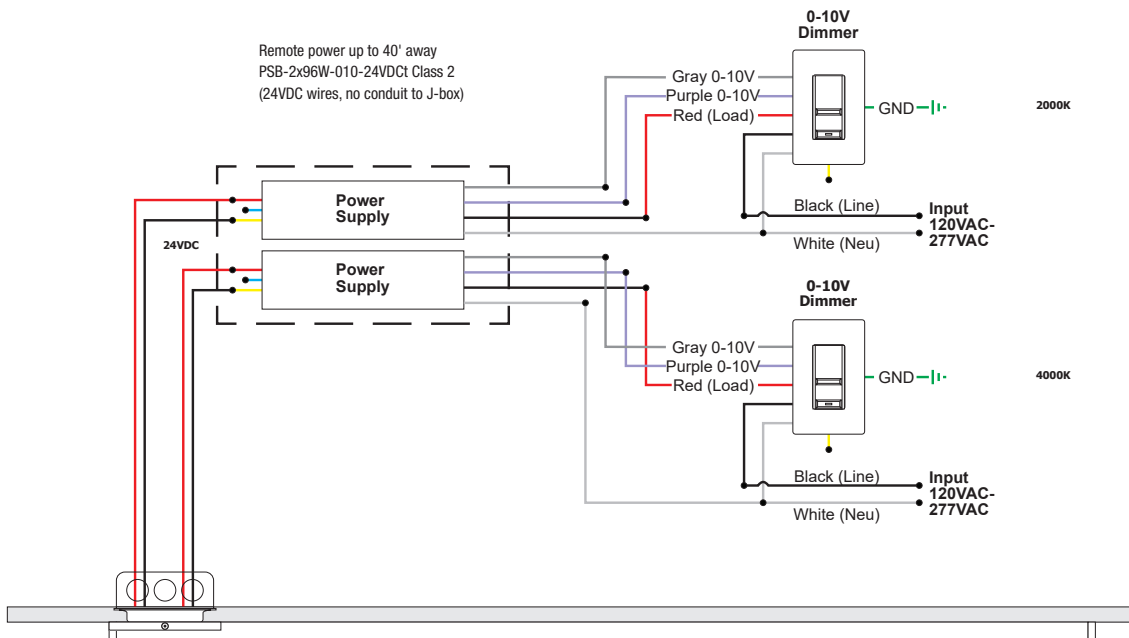
WIRING DIAGRAM Wiring Diagram for ELV Dimmer

APPLICATION ELV dimming for Cirrus Ceiling T1, Tunable White 2000K-4000K
REMOTE POWER SUPPLY Class 2: 24VDC output; 120VAC input | Class 2: PSB-2X100W-ELV-24VDC (24VDC wires, no conduit to J-box)
DIMMING Dimmable with ELV dimmer: Legrand, Adorne ADTP703TU
 Lutron: Diva DVELV-300P, Skylark SELV-300P, Maestro MAELV-600 and Radio Ra 2



WIRING DIAGRAM Wiring Diagram for Tunable White with 0-10 Volt Dimmer

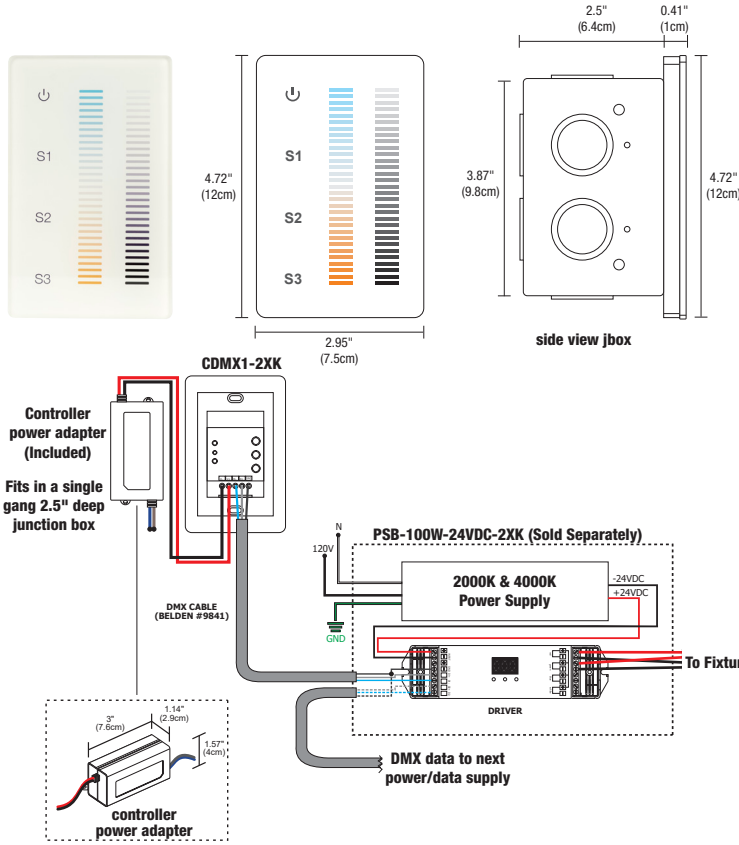
APPLICATION 0-10V dimming for Cirrus Ceiling T1, Tunable White 2000K-4000K
REMOTE POWER SUPPLY Class 2: 24VDC output; 120/277VAC input | Class 2: PSB-2x96W-010-24VDC (24VDC wires, no conduit to J-box)
DIMMING Dimmable with 0-10 dimmer: Philips: Sunrise SR1200ZTUNV; Lutron: Diva DVTV-WH, Nova-T NTSTV-DV-XX, Grafix Eye QS QSGRJ-XP, Radio RA2 RRD-1-ND; Leviton: LEV40050, IP710-LFZ; Legrand ADPD4FBL3P2W4



PROJECT		FIXTURE TYPE		DATE	
---------	--	--------------	--	------	--

DYNAMIC/TUNABLE WHITE CONTROLLER AND POWER SUPPLIES

24VDC INDOOR CONSTANT VOLTAGE POWER SUPPLIES WITH DMX DRIVERS



DESCRIPTION:

The Dynamic/Tunable White (2K4K) Touch Controller offers fast and accurate Color Temperature adjustment and the ability to regulate the Brightness Independently. The modern Glass faceplate features illuminated indicators, and a back-lit night light that softly illuminates the controller when powered off. Designed for Dynamic/Tunable White, and dual-color LED installations within a single zone. The two Vertical Touch sliders are precise and sensitive, allowing you to fine-tune your perfect Color Temperature at any point between **2000K (Sunset) to 4000K (Cool White)** while selecting over **250 levels** of Brightness in a smooth, uninterrupted transition. Create Thousands of Dynamic White Color Combinations while maintaining even Brightness and overall saturation. Easily save three pre-set scenes for different times of the day. Support health, performance, and general well-being using Human-Centric lighting by fine-tuning the biological effects that light has on the circadian cycle using the latest in LED technology. Includes a power adapter that fits inside a standard junction box and fits inside a standard single-gang receptacle (not for use in a multi-gang box). Use with an insulated, 24 AWG stranded, tinned copper wire (Belden #9841). Power Supplies are Sold Separately. Includes a 5 year pro-rated warranty.

APPLICATIONS:

Indoor

OUTPUT SIGNAL:

USITT DMX 512 (1990)

INSTALLATION:

Fits in a single gang 2.5 inch deep junction box. Not compatible with multi-gang boxes.

LABELS:

ROHS, FCC, Damp Location, ETL/UL

POWER INPUT:

120-240VAC

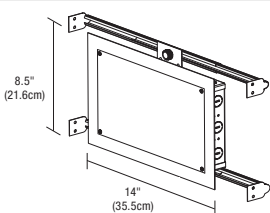
Product	Type	Finish
CDMX1	2XK	WH
CDMX1 DMX Single Zone Touch Controller	2XK 2 X Kelvin	WH White

DYNAMIC COLOR CHANGING (DMX) POWER SUPPLIES & RECOMMENDED CONTROLLERS*				
ORDERING CODE	PSB-100W-24VDC-2XK	PSB-2X100W-24VDC-2XK	PSB-3X100W-24VDC-2XK	PSB-4X100W-24VDC-2XK
SPECIFICATIONS				
MAXIMUM LOAD OF LED STRIP LENGTH	100W 5 WATTS - 20FT MAX. 10 WATTS - 10FT MAX.	2X100W 5 WATTS 2 X 20FT MAX. 10 WATTS - 2 X 10FT MAX.	3X100W 5 WATTS 3 X 20FT MAX. 10 WATTS - 3 X 10FT MAX.	4X100W 5 WATTS 4 X 20FT MAX. 10 WATTS - 4 X 10FT MAX.
INPUT VOLTAGE	120-277VAC	120-277VAC	120-277VAC	120-277VAC
OUTPUT VOLTAGE	24VDC	24VDC	24VDC	24VDC
DIMENSIONS	12.4" X 6.48" X 2.18"	14" X 10" X 3"	17" X 10" X 3"	17" X 10" X 3"
CLASSIFICATION	CLASS 2	CLASS 2	CLASS 2	CLASS 2
IN-WALL MOUNTING	PSB-100W-24VDC-2XK-IW	NA	NA	NA
DMX DYNAMIC/TUNABLE WHITE DIMMING & CONTROLS				
TUNABLE WHITE TOUCH CONTROLLER (CDMX1-2XK)	•	•	•	•

- Flicker free dimming
- Aluminum casing for optimal heat dissipation
- Isolated output power per NEC and UL safety requirements
- UL & ETL recognized/ listed, meets UL 8750, 1310 requirements

- Auto-reset; short circuit, overload and thermal protection
- Class 2 power supply
- Efficient, High power factor > 0.90

IN WALL MOUNTING OPTIONS



8.5 x 14 inch In-Wall Mounting Kit: Includes power supply, box cover and stud hangers for installing Junction Box in wall. Select "IW" in the options section of compatible power supply ordering codes if an In-Wall Mounting Kit is needed.

Ordering Codes: PSB-100W-24VDC-2XK-IW

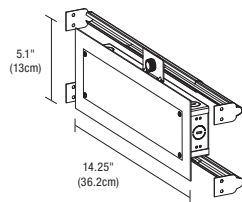
PROJECT		FIXTURE TYPE		DATE	
---------	--	--------------	--	------	--

ELECTRONIC LOW-VOLTAGE (ELV) POWER SUPPLIES & RECOMMENDED DIMMERS ^{†‡}				
ORDERING CODES	PS-60L-ELV-24VDC 	PSB-60W-ELV-24VDC 	PSB-2X60W-ELV-24VDC 	PSB-100W-ELV-24VDC
SPECIFICATIONS				
MAXIMUM LOAD	60W NON-IC, 50W-IC (FITS IN JBOX)	60W	2X60W	96W
INPUT VOLTAGE	120VAC	120VAC	120VAC	120VAC
OUTPUT VOLTAGE	24VDC	24VDC	24VDC	24VDC
DIMENSIONS	2.25" X 1.25" X 0.83"	8.125" X 2" X 1.75"	12.15" X 6.48" X 2.18"	9.25" X 3.5" X 2"
CLASSIFICATION	CLASS 2	CLASS 2	CLASS 2	CLASS 2
IN WALL MOUNTING	N/A	PSB-60W-ELV-24VDC-IW	PSB-2X60W-ELV-24VDC-IW	PSB-100W-ELV-24VDC-IW
ELECTRONIC LOW-VOLTAGE (ELV) POWER SUPPLIES & RECOMMENDED DIMMERS ^{†‡}				
ORDERING CODES	PSB-2X100W-ELV-24VDC 	PSB-3X100W-ELV-24VDC 	PSB-4X100W-ELV-24VDC 	
SPECIFICATIONS				
MAXIMUM LOAD	2X96W	3X96W	4X96W	
INPUT VOLTAGE	120VAC	120VAC	120VAC	
OUTPUT VOLTAGE	24VDC	24VDC	24VDC	
DIMENSIONS	12.15" X 6.48" X 2.18"	14" X 10" X 3"	17" X 13" X 3"	
CLASSIFICATION	CLASS 2	CLASS 2	CLASS 2	
IN WALL MOUNTING	PSB-2X100W-ELV-24VDC-IW	N/A	N/A	
DIMMING AND CONTROLS				
LUTRON DIVA: DVELV-300P	•	•	•	
LUTRON SKYLARK: SELV-300P	•	•	•	
LUTRON RADIO RA2: RRD-6NA	•	•	•	
LUTRON MAESTRO: MAELV-600	•	•	•	
LEGRAND ADORNE: ADTP-703TUM4	•	•	•	

[†]22K - 57K color temperatures are compatible with 0-10V, ELV, and Lutron Hi-lume® Power Supplies. Warm Dim (27D, 30D) color temperatures are only compatible with ELV power supplies. Tunable White (2K4K) color temperature is compatible with 0-10V, ELV, DMX, and Lutron Hi-lume® Power Supplies. Dynamic Color (RGB, RGB+W) and Static Color (Amber, Blue, Green, or Red) are compatible with DMX Power Supplies.

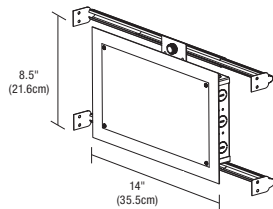
[‡]Electrical Panels using Seimens/Murray AFCI breakers are not compatible with this ELV transformer. Use 0-10 Volt power supplies with this breaker

With N-Lite Dimming Do not use ELV power supplies, use only 0-10 volt or Uni drivers power supplies



5.1 x 14.25 inch In-Wall Mounting Kit: Includes power supply, box cover and stud hangers for installing Junction Box in wall. Select "IW" in the options section of compatible power supply ordering codes if an In-Wall Mounting Kit is needed.

Ordering Codes: PSB-60W-ELV-24VDC-IW
PSB-100W-ELV-24VDC-IW



8.5 x 14 inch In-Wall Mounting Kit: Includes power supply, box cover and stud hangers for installing Junction Box in wall. Select "IW" in the options section of compatible power supply ordering codes if an In-Wall Mounting Kit is needed.

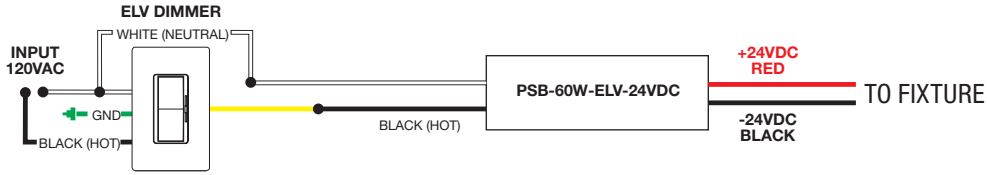
Ordering Codes: PSB-2X60W-ELV-24VDC-IW
PSB-2X100W-ELV-24VDC-IW

PROJECT		FIXTURE TYPE		DATE	
---------	--	--------------	--	------	--

SAMPLE WIRING DIAGRAMS 24VDC ELV

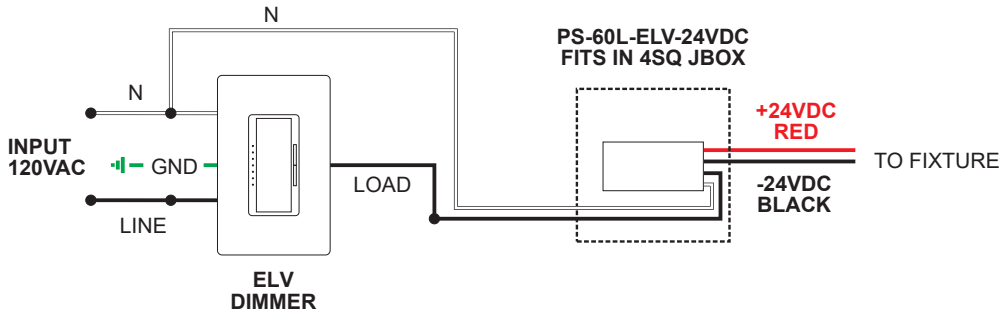
Application: ELV dimming for Static White

Dimming: Dimmable with ELV dimmer: Legrand, Adorne ADTP703TU; Lutron: Diva DVELV-300P, Skylark SELV-300P, Maestro MAELV-600 and Radio Ra 2



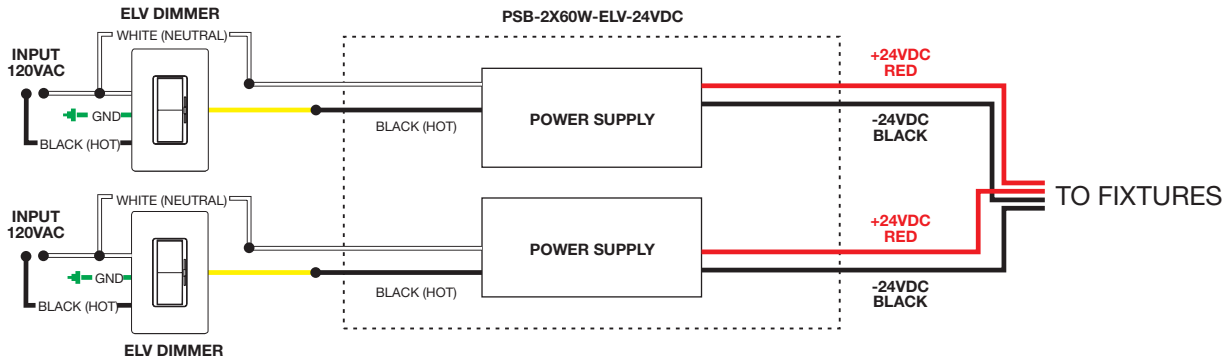
Application: ELV dimming for Static White

Dimming: Dimmable with ELV dimmer: Legrand, Adorne ADTP703TU; Lutron: Diva DVELV-300P, Skylark SELV-300P, Maestro MAELV-600 and Radio Ra 2









Application: Dual ELV dimming for Dynamic/Tunable White 2000K-4000K

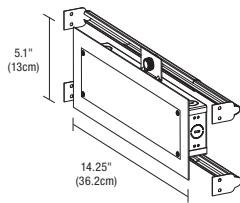
Dimming: Dimmable with ELV dimmer: Legrand, Adorne ADTP703TU; Lutron: Diva DVELV-300P, Skylark SELV-300P, Maestro MAELV-600 and Radio Ra 2



PROJECT		FIXTURE TYPE		DATE	
---------	--	--------------	--	------	--

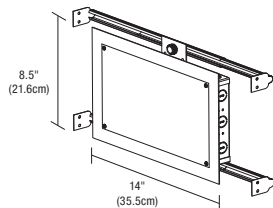
0-10 VOLT (010) POWER SUPPLIES & RECOMMENDED DIMMERS†				
ORDERING CODE	PSB-25W-010-24VDC 	PSB-60W-010-24VDC 	PSB-96W-010-24VDC 	PSB-2X96W-010-24VDC 
SPECIFICATIONS				
MAXIMUM LOAD	25W	60W	96W	2X96W
INPUT VOLTAGE	120VAC	120-277VAC	120-277VAC	120-277VAC
OUTPUT VOLTAGE	24VDC	24VDC	24VDC	24VDC
DIMENSIONS	12.4" X 3.12" X 2.18"	12.4" X 3.12" X 2.18"	12.4" X 3.12" X 2.18"	12.15" X 6.48" X 2.18"
CLASSIFICATION	CLASS 2	CLASS 2	CLASS 2	CLASS 2
IN-WALL MOUNTING	PSB-25W-010-24VDC-IW	PSB-60W-010-24VDC-IW	PSB-96W-010-24VDC-IW	PSB-2X96W-010-24VDC-IW

0-10 VOLT (010) POWER SUPPLIES & RECOMMENDED DIMMERS†			
ORDERING CODE	PSB-3X96W-010-24VDC 	PSB-4X96W-010-24VDC 	
SPECIFICATIONS			
MAXIMUM LOAD	3X96W	4X96W	
INPUT VOLTAGE	120-277VAC	120-277VAC	
OUTPUT VOLTAGE	24VDC	24VDC	
DIMENSIONS	14" X 10" X 3"	17" X 13" X 3"	
CLASSIFICATION	CLASS 2	CLASS 2	
IN-WALL MOUNTING	N/A	N/A	
DIMMING & CONTROLS			
PHILIPS SUNRISE: SR1200ZTUNV	•	•	
LUTRON DIVA: DVTV-WH, DVSTV-WH	•	•	
LUTRON NOVA T: NTSTV-DV-XX	•	•	
LUTRON GRAFIX EYE QS: QSGRJ-XP	•	•	
LUTRON RADIO RA2: RRD-10ND	•	•	
LEVITON: LEV40050	•	•	
LEVITON IP710-LFZ	•	•	
LEGRAND: ADPD4FBL3P2W4	•	•	



5.1 x 14.25 inch In-Wall Mounting Kit: Includes power supply, box cover and stud hangers for installing Junction Box in wall. Select "IW" in the options section of compatible power supply ordering codes if an In-Wall Mounting Kit is needed.

Ordering Codes: PSB-25W-010-24VDC-IW, PSB-60W-010-24VDC-IW, PSB-96W-010-24VDC-IW



8.5 x 14 inch In-Wall Mounting Kit: Includes power supply, box cover and stud hangers for installing Junction Box in wall. Select "IW" in the options section of compatible power supply ordering codes if an In-Wall Mounting Kit is needed.

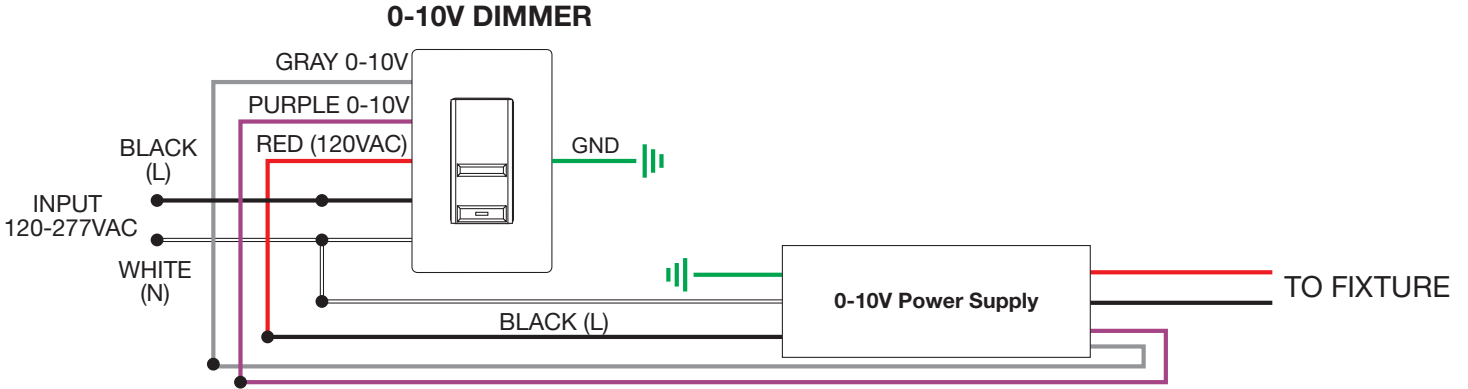
Ordering Codes: PSB-2X96W-010-24VDC-IW

PROJECT		FIXTURE TYPE		DATE	
---------	--	--------------	--	------	--

SAMPLE WIRING DIAGRAMS 24VDC 010

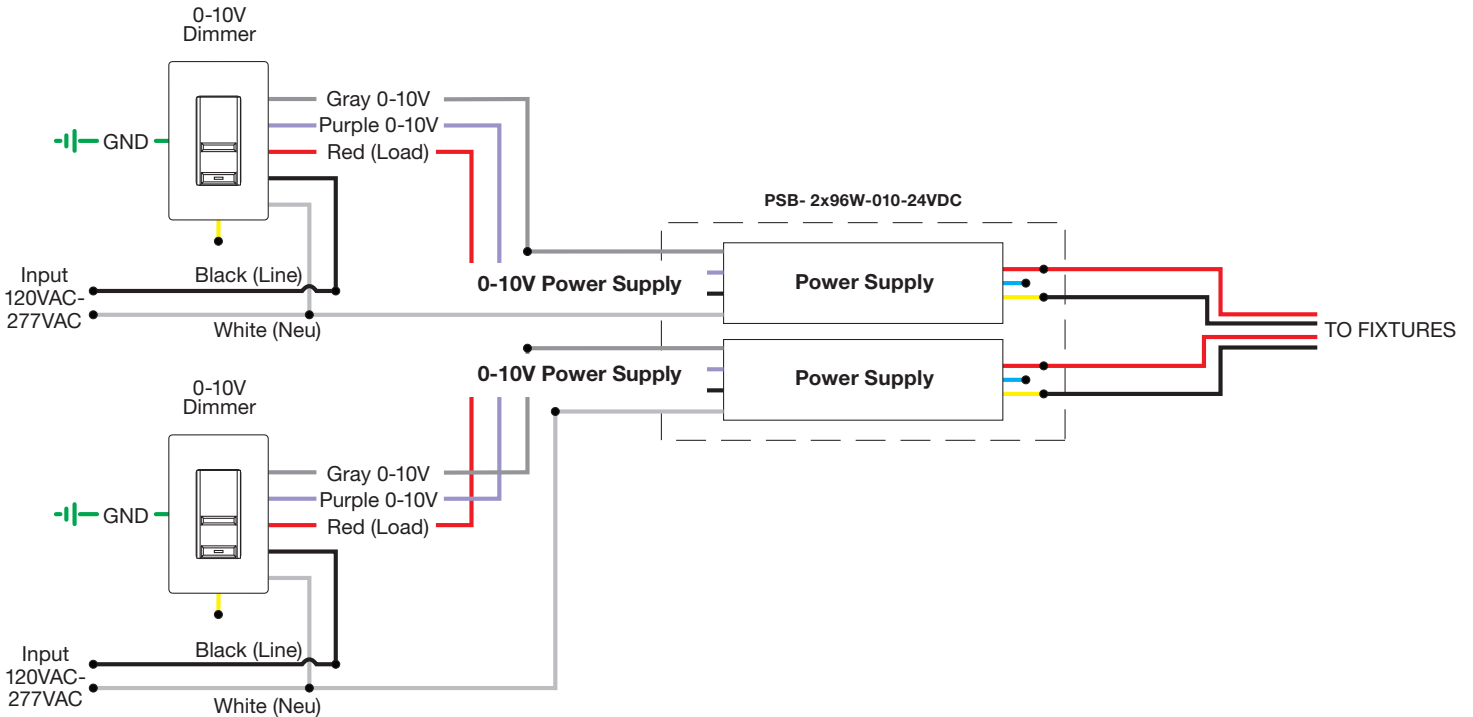
Application: 0-10V Dimming Applications For Static White and Warm Dim 0-10V Dual Dimming.

Dimming: Dimmable with 0-10V dimmers: Signify (Phillips) Sunrise: SR1200ZTUNV, Leviton Dimmers: LEV40050, IP710-LFZ, *IP710-DLZ *(Built in LED locator light) Legrand Dimmer: ADPD4FBL3P2W4 Lutron Systems: Lutron GRAFIX Eye QS Main Unit (with DRX-TVI) Radio Ra2 (with GRX-TVI)



Application: Dual 0-10V dimming for Dynamic/Tunable White 2000K-4000K

Dimming: Dimmable with Dual 0-10V dimmers: Signify (Phillips) Sunrise: SR1200ZTUNV, Leviton Dimmers: LEV40050, IP710-LFZ, *IP710-DLZ *(Built in LED locator light), Legrand Dimmer: ADPD4FBL3P2W4, Lutron Systems: Lutron GRAFIX Eye QS Main Unit (with DRX-TVI) Radio Ra2 (with GRX-TVI)



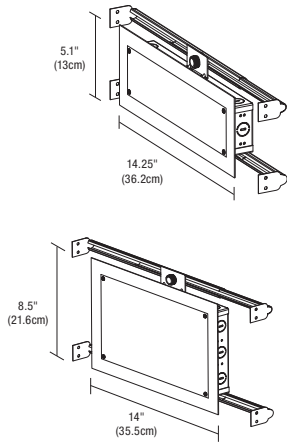
PROJECT	FIXTURE TYPE	DATE

UNIVERSAL POWER SUPPLIES & RECOMMENDED DIMMERS				
ORDERING CODE	PSB-40W-UNI-24VDC	PSB-60W-UNI-24VDC	PSB-2X40W-UNI-24VDC	PSB-2X60W-UNI-24VDC
SPECIFICATIONS				
MAXIMUM LOAD	40W	60W	2X40W	2X60W
INPUT VOLTAGE	120-277VAC	120-277VAC	120-277VAC	120-277VAC
OUTPUT VOLTAGE	24VDC	24VDC	24VDC	24VDC
DIMENSIONS	12.4" X 3.12" X 2.18"	12.4" X 3.12" X 2.18"	12.15" X 6.48" X 2.18"	12.15" X 6.48" X 2.18"
CLASSIFICATION	CLASS 2	CLASS 2	CLASS 2	CLASS 2
IN-WALL MOUNTING	PSB-40W-UNI-24VDC-IW	PSB-60W-UNI-24VDC-IW	PSB-2X40W-UNI-24VDC-IW	PSB-2X60W-UNI-24VDC-IW
UNIVERSAL POWER SUPPLIES & RECOMMENDED DIMMERS				
ORDERING CODE	PSB-96W-UNI-24VDC	PSB-2X96W-UNI-24VDC	PSB-3X96W-UNI-24VDC	PSB-4X96W-UNI-24VDC
SPECIFICATIONS				
MAXIMUM LOAD	96W	2X96W	3X96W	4X96W
INPUT VOLTAGE	120-277VAC	120-277VAC	120-277VAC	120-277VAC
OUTPUT VOLTAGE	24VDC	24VDC	24VDC	24VDC
DIMENSIONS	12.4" X 3.12" X 2.18"	12.15" X 6.48" X 2.18"	14" X 10" X 3"	17" X 13" X 3"
CLASSIFICATION	CLASS 2	CLASS 2	CLASS 2	CLASS 2
IN-WALL MOUNTING	PSB-96W-UNI-24VDC-IW	PSB-2X96W-UNI-24VDC-IW	NA	NA
ELV DIMMING & CONTROLS				
LUTRON DIVA: DVELV-300P	•	•	•	•
LUTRON SKYLARK: SELV-300P	•	•	•	•
LUTRON RADIO RA2: RRD-6NA	•	•	•	•
LUTRON MAESTRO: MAELV-600	•	•	•	•
LEGRAND ADORNE: ADTP-703TUM4	•	•	•	•
0-10 DIMMING & CONTROLS				
PHILIPS SUNRISE: SR12002TUNV	•	•	•	•
LUTRON DIVA: DVTW-WH, DVSTV-WH	•	•	•	•
LUTRON NOVA T: NTSTV-DV-XX	•	•	•	•
LUTRON GRAFIX EYE QS: QSGRJ-XP	•	•	•	•
LUTRON RADIO RA2: RRD-10ND	•	•	•	•
LEVITON: LEV40050	•	•	•	•
LEVITON IP710-LFZ	•	•	•	•
LEGRAND: ADPD4FBL3P2W4	•	•	•	•
TRIAC DIMMING & CONTROLS				
LUTRON SKYLARK: S2-L-WH	•	•	•	•
LUTRON DIVA DVLV-600P-WH	•	•	•	•
LUTRON DIVA DVLV-603P-WH	•	•	•	•
LUTRON MAESTRO MALV-600-WH	•	•	•	•
LUTRON MAESTRO MALV-1000-WH	•	•	•	•
LUTRON MAESTRO MA-R-XX	•	•	•	•

- Flicker free dimming
- Aluminum casing for optimal heat dissipation
- Isolated output power per NEC and UL safety requirements
- UL & ETL recognized/ listed, meets UL 8750, 1310 requirements
- Auto-reset: short circuit, overload and thermal protection
- Class 2 power supply
- Efficient, High power factor > 0.90
- The Solid State Constant Voltage Uni-Power Supply is compatible with most commercially available Dimmers:
 - Triac Dimmer : (Forward Phase) Typically used for the dimming of Incandescent and Low Voltage Magnetic Transformers
 - ELV Dimmer : (Reverse Phase) Dimming of Electronic Low Voltage Transformers and Power Supply's used for LED lighting
 - 0-10 Dimmer : Dims the Low Voltage side of a 0-10 volt power supply commonly used in large scale lighting or commercial applications.
- The Uni-Power Supply is recommended with any Siemens/Murray brand of arc fault breaker to overcome the issues with tripping the breakers with an ELV LED Low Voltage Drivers.

PROJECT		FIXTURE TYPE		DATE	
---------	--	--------------	--	------	--

IN WALL MOUNTING OPTIONS



In-Wall Mounting Kit: Includes power supply, box cover and stud hangers for installing Junction Box in wall. Select "IW" in the options section of compatible power supply ordering codes if an In-Wall Mounting Kit is needed.

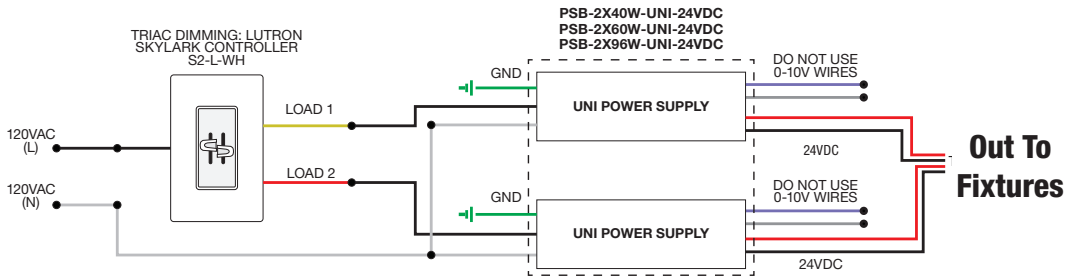
Ordering Codes 5.1 x 14.25 inch: PSB-40W-UNI-24VDC-IW
PSB-60W-UNI-24VDC-IW
PSB-96W-UNI-24VDC-IW

Ordering Codes 8.5 x 14.25 inch: PSB-2X40W-UNI-24VDC-IW
PSB-2X60W-UNI-24VDC-IW
PSB-2X96W-UNI-24VDC-IW

WIRING DIAGRAMS UNIVERSAL POWER SUPPLY

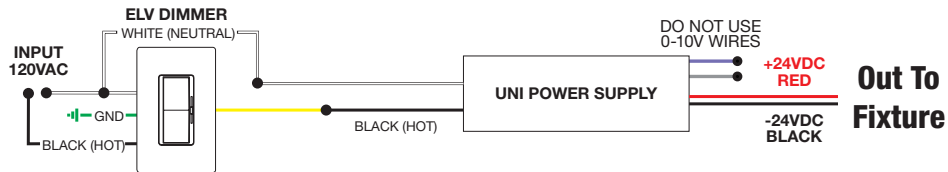
Application: Triac dimming for two power supplies, use for Static White, Dynamic/Tunable White 2000K-4000K

Dimming: Dimmable with Triac dimmer: Lutron: Skylark S2-L



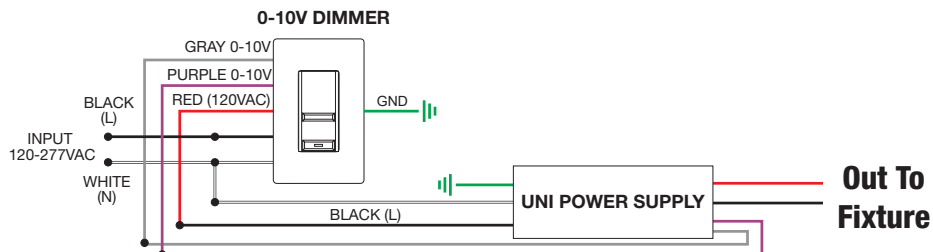
Application: ELV dimming for Static White and Warm Dim

Dimming: Dimmable with ELV dimmer: Legrand, Adorne ADTP703TU; Lutron: Diva DVELV-300P, Skylark SELV-300P, Maestro MAELV-600 and Radio Ra 2






Application: 0-10V dimming for Static White

Dimming: Dimmable with 0-10V dimmer: Philips Sunrise: SR1200ZTUNV; Lutron Diva: DVTV-WH, DVSTV-WH; Lutron Nova T: NTSTV-DV-XX; Lutron Grafix EYE QS: QSGRJ-XP; Lutron Radio Ra2: RRD-10ND; Leviton: LEV40050; Leviton IP710-LFZ; Legrand: ADPD4FBL3P2W4

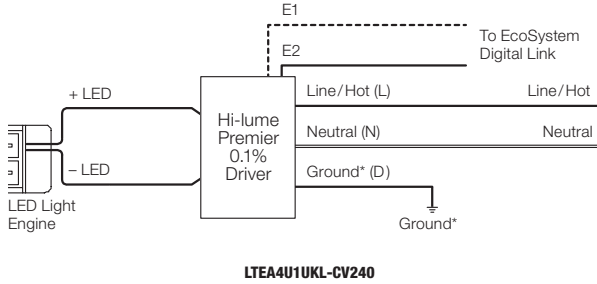


PROJECT		FIXTURE TYPE		DATE	
---------	--	--------------	--	------	--

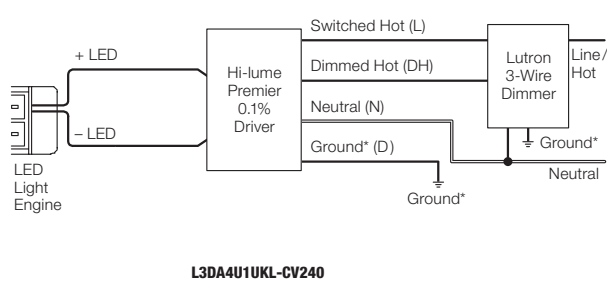
LUTRON HI-LUME® PREMIER .1% ECOSYSTEM®†			
ORDERING CODES	L3D0-96W24V-U	2-WIRE ECOSYSTEM LTEA4U1UKL-CV240	3-WIRE ECOSYSTEM L3DA4U1UKL-CV240
			
SPECIFICATIONS			
MAXIMUM LOAD	96W	5W-40W	5W-40W
INPUT VOLTAGE	120-277VAC	120-277VAC	120-277VAC
OUTPUT VOLTAGE	24VDC	24VDC	24VDC
DIMENSIONS	10.5" X 5.5" X 2"	4" X 4.89" X 2.62"	4" X 4.89" X 2.62"
CLASSIFICATION	CLASS 2	CLASS 2	CLASS 2
DIMMING AND CONTROLS			
RADIO RA2	•	•	•
HOMEWORKS QS	•	•	•
PHPM-3F-120	•	•	•
PHPM-3F-DV	•	•	•
BCI-0-10	•	•	•

†24K - 57K color temperatures are compatible with 0-10V, ELV, and Lutron Hi-lume® Power Supplies. Warm Dim (27D, 30D) color temperatures are only compatible with ELV power supplies.

2-Wire EcoSystem Wiring Diagram



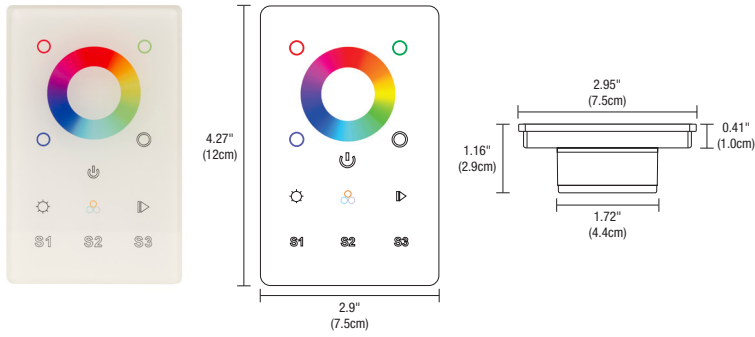
3-Wire Wiring Diagram



PROJECT	FIXTURE TYPE	DATE
---------	--------------	------

DMX SINGLE ZONE RGB & RGB+W

TOUCH CONTROLLER



Description:

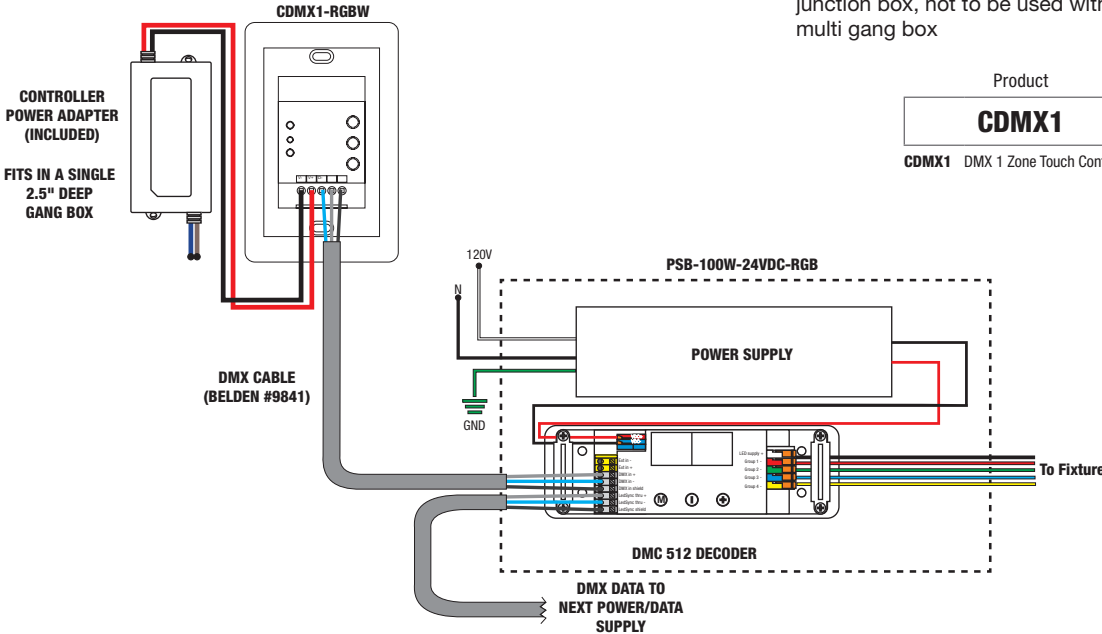
Full touch controller offers fast and accurate color tone adjustment and independent brightness control. The 1 zone controller can adjust RGB and RGBW LEDs smoothly and accurately. Independent smooth dimming of each channel enables the controller to achieve millions of colors. For indoor applications only, and includes a Power Adapter to operate the controller.

Applications:
Indoor

Power Input:
120-277VAC

Installation:
Fits in a single gang 2.5 inch deep junction box, not to be used with a multi gang box

Output Signal:
USITT DMX 512 (1990)

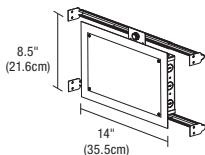


Product	Type	Finish
CDMX1	RGBW	WH
CDMX1 DMX 1 Zone Touch Controller	RGBW RGB & RGBW	WH White

DYNAMIC COLOR CHANGING (DMX) POWER SUPPLIES & RECOMMENDED CONTROLLERS

ORDERING CODE	PSB-100W-24VDC-RGB	PSB-2X100W-24VDC-RGB	PSB-3X100W-24VDC-RGB	PSB-4X100W-24VDC-RGB
SPECIFICATIONS				
MAXIMUM LOAD	100W	2X100W	3X100W	4X100W
INPUT VOLTAGE	120-277VAC	120-277VAC	120-277VAC	120-277VAC
OUTPUT VOLTAGE	24VDC	24VDC	24VDC	24VDC
DIMENSIONS	12.14" X 6.48" X 2.18"	14" X 10" X 3"	17" X 13" X 3"	17" X 13" X 3"
CLASSIFICATION	CLASS 2	CLASS 2	CLASS 2	CLASS 2
IN-WALL MOUNTING	PSB-100W-24VDC-RGB-IW	N/A	N/A	N/A
DIMMING & CONTROLS				
TOUCH SCREEN CONTROLLER (CTP)	•	•	•	•
COLOR DIAL CONTROLLER (CDP)	•	•	•	•
DMX 1 ZONE RGBW TOUCH CONTROLLER (CDMX1-RGBW)	•	•	•	•

Classification: UL2108 - * 24VDC over 100 Watts, wires must be in conduit from Remote Power Supply to J-box.



8.5" X 14" IN-WALL MOUNTING KIT

Includes Power Supply, Box Cover, and Stud Hangers for installing Junction Box in wall. Select "IW" in the options section of compatible Power Supply ordering codes if an In-Wall Mounting Kit is needed.

ORDERING CODES: PSB-100W-24VDC-RGB-IW

PROJECT	FIXTURE TYPE	DATE
---------	--------------	------

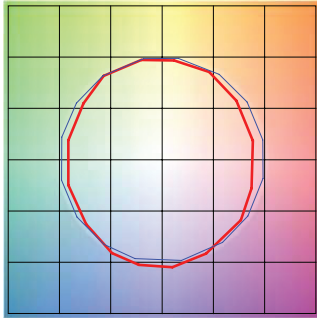
CEILING TM30 DATA

TUBULAR 1 WITH REMOTE POWER

TM-30-15 DATA: The data below is for SS2C, SS5C, SS7C, and SS10C bare LED Soft Strips. Consistent color temperatures throughout a single strip and among multiple strips is possible through a 3 phase binning process in which each order is inspected with a color meter to ensure uniformity.

2200K | Rf: 83.9 | Rg: 94.9

Color Vector Graphic

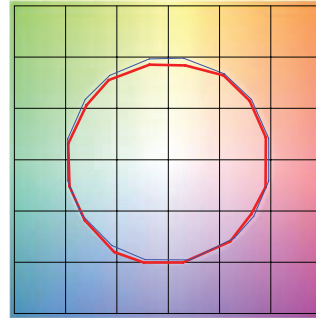


■ Test ■ Reference

GRAPHIC SHIFTS %			
HUE BIN	Rf	CHROMA	HUE
1	78.8	-9.5%	1.3%
2	80.7	-7.8%	6.7%
3	78.2	-3.3%	9.4%
4	89.7	-2.8%	3.6%
5	93.2	-0.8%	2.6%
6	93.0	-0.6%	-0.7%
7	87.7	-5.9%	-3.5%
8	89.2	-6.8%	1.9%
9	83.4	-5.6%	6.0%
10	79.3	-3.7%	10.8%
11	81.4	2.9%	11.1%
12	84.9	5.3%	4.9%
13	88.1	4.9%	-10.1%
14	68.1	0.1%	-19.5%
15	86.0	-3.3%	-7.3%
16	76.4	-8.9%	-11.7%

2400K | Rf: 91.2 | Rg: 96.8

Color Vector Graphic

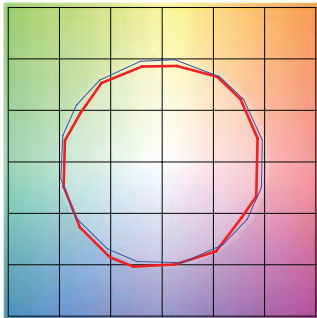


■ Test ■ Reference

GRAPHIC SHIFTS %			
HUE BIN	Rf	CHROMA	HUE
1	92.0	-2.4%	1.5%
2	94.7	-2.1%	0.0%
3	95.4	-1.9%	-0.1%
4	88.7	-6.7%	-3.1%
5	92.8	-5.6%	1.0%
6	92.7	-3.4%	3.4%
7	89.9	-4.3%	4.1%
8	92.4	-1.4%	4.4%
9	89.0	-0.6%	5.8%
10	88.9	0.4%	6.2%
11	89.7	4.0%	5.4%
12	92.6	3.0%	-0.7%
13	90.9	1.1%	-7.0%
14	89.9	0.5%	-5.8%
15	92.1	-3.2%	0.1%
16	88.9	-1.7%	-6.3%

2700K | Rf: 87.7 | Rg: 96.1

Color Vector Graphic

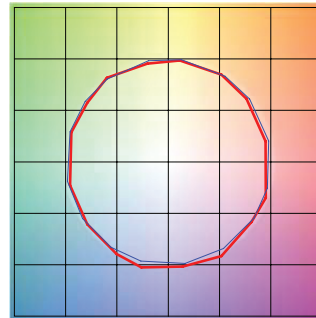


■ Test ■ Reference

GRAPHIC SHIFTS %			
HUE BIN	Rf	CHROMA	HUE
1	88.0	-4.3%	2.6%
2	91.6	-2.4%	2.0%
3	93.7	-1.4%	1.9%
4	88.9	-5.6%	-3.1%
5	92.3	-5.5%	-0.5%
6	92.9	-3.5%	0.1%
7	84.5	-7.5%	4.6%
8	90.8	-3.0%	4.4%
9	84.5	-1.3%	8.3%
10	83.9	2.0%	9.8%
11	87.2	5.3%	7.1%
12	89.2	5.4%	-2.6%
13	88.7	0.3%	-7.8%
14	86.8	1.7%	-9.3%
15	87.6	-5.4%	-1.3%
16	83.6	-3.3%	-9.5%

3000K | Rf: 88.1 | Rg: 99.7

Color Vector Graphic

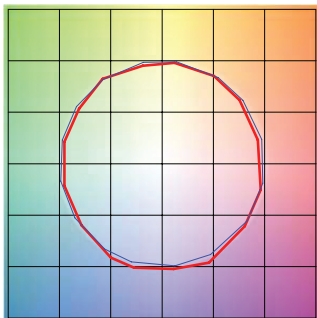


■ Test ■ Reference

GRAPHIC SHIFTS %			
HUE BIN	Rf	CHROMA	HUE
1	92.5	-3.1%	0.3%
2	93.3	-2.3%	1.9%
3	90.9	-0.8%	3.9%
4	94.3	-1.1%	1.4%
5	92.5	-2.6%	1.5%
6	96.4	1.2%	-0.3%
7	92.6	-2.5%	-0.0%
8	96.9	-1.4%	0.2%
9	92.3	-1.8%	4.3%
10	86.6	-0.7%	7.0%
11	86.5	2.4%	8.2%
12	89.8	5.9%	1.7%
13	93.9	2.6%	-2.7%
14	89.4	5.1%	-5.8%
15	90.1	-0.1%	-4.7%
16	86.5	0.3%	-9.7%

3500K | Rf: 86.1 | Rg: 95.5

Color Vector Graphic

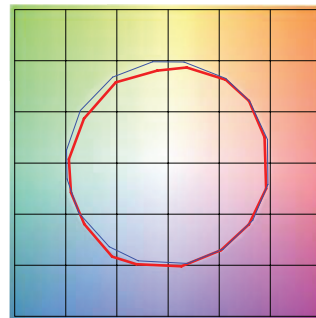


■ Test ■ Reference

GRAPHIC SHIFTS %			
HUE BIN	Rf	CHROMA	HUE
1	90.8	-3.8%	0.3%
2	92.3	-2.8%	2.1%
3	89.7	-1.0%	4.3%
4	92.6	-1.4%	1.7%
5	91.8	-3.1%	1.3%
6	96.2	0.8%	-0.4%
7	92.9	-3.2%	0.2%
8	94.3	-2.5%	1.5%
9	90.4	-2.5%	5.2%
10	84.3	-1.4%	9.5%
11	83.1	3.5%	9.8%
12	88.2	4.8%	3.4%
13	94.0	2.7%	-2.0%
14	88.7	5.9%	-5.8%
15	88.7	0.7%	-5.9%
16	86.8	-0.7%	-6.7%

4000K | Rf: 87.6 | Rg: 96.8

Color Vector Graphic



■ Test ■ Reference

GRAPHIC SHIFTS %			
HUE BIN	Rf	CHROMA	HUE
1	88.9	-2.4%	2.5%
2	93.3	-0.4%	0.8%
3	94.8	-1.0%	-0.6%
4	87.9	-4.9%	-3.6%
5	85.3	-9.4%	-2.6%
6	90.2	-6.0%	0.2%
7	85.3	-7.6%	4.6%
8	83.7	-4.1%	8.2%
9	79.5	-1.1%	13.8%
10	78.6	1.5%	12.1%
11	83.5	6.4%	7.8%
12	90.9	3.6%	-1.1%
13	88.3	1.7%	-6.3%
14	91.9	-0.4%	-2.2%
15	84.5	-0.9%	-5.5%
16	84.7	-1.1%	-4.4%

PROJECT	FIXTURE TYPE	DATE
---------	--------------	------

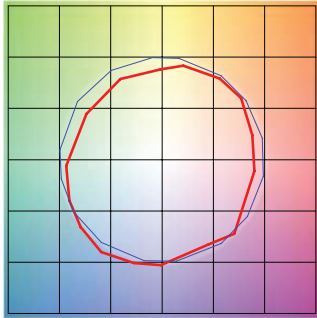
CEILING TM30 DATA

TUBULAR 1 WITH REMOTE POWER

TM-30-15 DATA: The data below is for SS2C, SS5C, SS7C, and SS10C bare LED Soft Strips. Consistent color temperatures throughout a single strip and among multiple strips is possible through a 3 phase binning process in which each order is inspected with a color meter to ensure uniformity.

5700K | Rf: 80.3 | Rg: 91.5

Color Vector Graphic

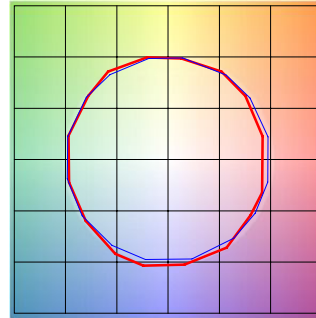


■ Test ■ Reference

HUE BIN	Rf	GRAPHIC SHIFTS %	
		CHROMA	HUE
1	75.4	-8.9%	4.7%
2	87.5	-2.6%	4.6%
3	90.7	-3.0%	-0.5%
4	83.2	-6.0%	-5.7%
5	76.2	-12.9%	-5.3%
6	81.4	-11.9%	-2.6%
7	74.8	-14.0%	5.1%
8	69.0	-9.0%	14.1%
9	72.6	-3.6%	22.2%
10	71.4	2.7%	16.1%
11	81.3	7.9%	5.3%
12	83.6	4.1%	-9.4%
13	78.4	0.7%	-15.3%
14	77.7	-6.2%	-11.0%
15	68.8	-1.3%	-21.2%
16	80.8	-9.6%	3.3%

2700D | Rf: 89.5 | Rg: 100.8

Color Vector Graphic

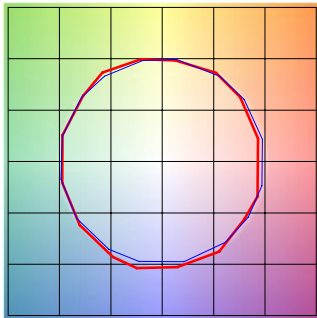


■ Test ■ Reference

HUE BIN	Rf	GRAPHIC SHIFTS %	
		CHROMA	HUE
1	88.8	-5.1%	1.4%
2	89.8	-2.7%	4.1%
3	87.2	0.3%	5.9%
4	92.3	-0.9%	1.0%
5	93.3	1.5%	1.7%
6	92.4	3.6%	-0.2%
7	92.2	-0.9%	-2.4%
8	96.7	-0.4%	-1.1%
9	92.3	-1.2%	3.7%
10	88.9	-0.0%	6.1%
11	86.4	5.1%	7.4%
12	88.2	6.3%	-0.9%
13	87.2	3.8%	-8.1%
14	84.2	3.8%	-11.0%
15	89.8	-2.6%	-4.3%
16	82.7	-3.4%	-11.1%

3000D | Rf: 89.8 | Rg: 101.4

Color Vector Graphic

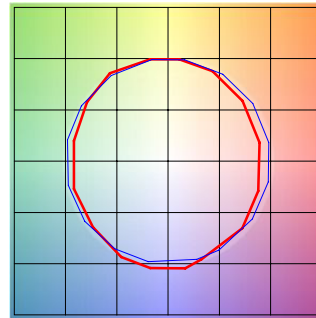


■ Test ■ Reference

HUE BIN	Rf	GRAPHIC SHIFTS %	
		CHROMA	HUE
1	90.2	-4.2%	1.5%
2	90.9	-2.0%	3.7%
3	87.9	0.8%	5.5%
4	92.1	-0.9%	0.6%
5	93.0	1.5%	1.6%
6	92.2	3.9%	-0.2%
7	92.1	-0.3%	-2.0%
8	96.7	0.0%	-1.2%
9	92.5	-0.6%	3.7%
10	88.3	1.1%	7.0%
11	87.2	4.1%	7.4%
12	87.2	6.7%	-1.0%
13	88.2	3.8%	-7.2%
14	85.3	4.3%	-9.9%
15	90.9	-2.2%	-3.6%
16	83.4	-2.2%	-11.2%

2000K ONLY (2K4K) | Rf: 84.3 | Rg: 96.9

Color Vector Graphic

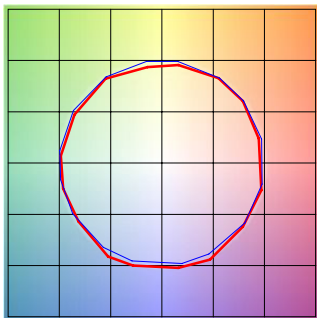


■ Test ■ Reference

HUE BIN	Rf	GRAPHIC SHIFTS %	
		CHROMA	HUE
1	80.3	-8.9%	1.7%
2	79.7	-7.0%	7.8%
3	78.9	-2.9%	10.0%
4	89.5	-0.5%	5.1%
5	94.4	0.7%	1.7%
6	92.1	2.4%	-0.3%
7	89.4	-2.4%	-5.9%
8	89.7	-6.4%	-0.2%
9	86.0	-4.9%	4.6%
10	81.8	-3.4%	9.3%
11	83.1	3.3%	9.7%
12	85.8	5.6%	3.3%
13	85.6	6.2%	-12.8%
14	61.7	-1.9%	-19.0%
15	79.7	-3.3%	-12.9%
16	78.1	-7.9%	-10.6%

4000K ONLY (2K4K) | Rf: 89.6 | Rg: 99.1

Color Vector Graphic

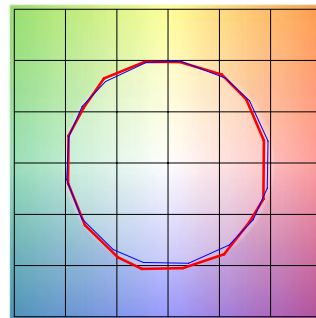


■ Test ■ Reference

HUE BIN	Rf	GRAPHIC SHIFTS %	
		CHROMA	HUE
1	91.3	-2.5%	1.0%
2	95.3	-0.5%	0.5%
3	94.3	-0.7%	1.1%
4	91.1	-3.4%	-1.1%
5	89.5	-5.6%	0.0%
6	94.6	-1.4%	1.3%
7	93.2	-3.0%	2.6%
8	91.3	-1.8%	4.6%
9	86.5	-0.9%	9.1%
10	83.3	-0.5%	9.5%
11	83.3	4.9%	9.0%
12	89.7	4.1%	1.7%
13	90.1	3.6%	-4.3%
14	93.4	5.2%	-2.1%
15	87.4	0.4%	-4.3%
16	86.6	0.4%	-6.1%

2K4K (3000K) | Rf: 90.2 | Rg: 101.4

Color Vector Graphic



■ Test ■ Reference

HUE BIN	Rf	GRAPHIC SHIFTS %	
		CHROMA	HUE
1	90.9	-3.8%	1.3%
2	91.7	-1.9%	3.3%
3	88.7	0.7%	5.1%
4	92.4	-1.0%	0.7%
5	92.9	0.9%	1.7%
6	93.1	3.3%	-0.6%
7	91.0	-1.8%	-0.4%
8	97.0	0.2%	-1.1%
9	92.8	-0.5%	3.6%
10	88.3	1.0%	7.0%
11	87.1	3.8%	7.8%
12	87.6	6.5%	-0.3%
13	89.3	3.6%	-6.3%
14	86.1	4.5%	-9.1%
15	91.6	-1.9%	-3.1%
16	83.8	-1.5%	-11.2%

PROJECT	FIXTURE TYPE	DATE
---------	--------------	------