

side view jbox

Description:

The Tunable White Touch Controller is a full-touch controller that offers fast and accurate color temperature adjustment and independent brightness dimming of a single zone. Designed for tunable white and dual-color LED installations, this controller adjusts color temperature and brightness for warm and cool white LEDs. It also saves 3 preset scenes. Independent smooth dimming with 256 level brightness adjustment enables the DMX controller to achieve many colors within the full LED spectrum. Controller includes a power adapter that fits in junction box (not included) behind the controller. It contains an illuminated back light when powered off.

Applications:

Indoor

Installation:

Fits in a single gang 2.5 inch deep junction box, not to be used with a multi gang box

Power Input:

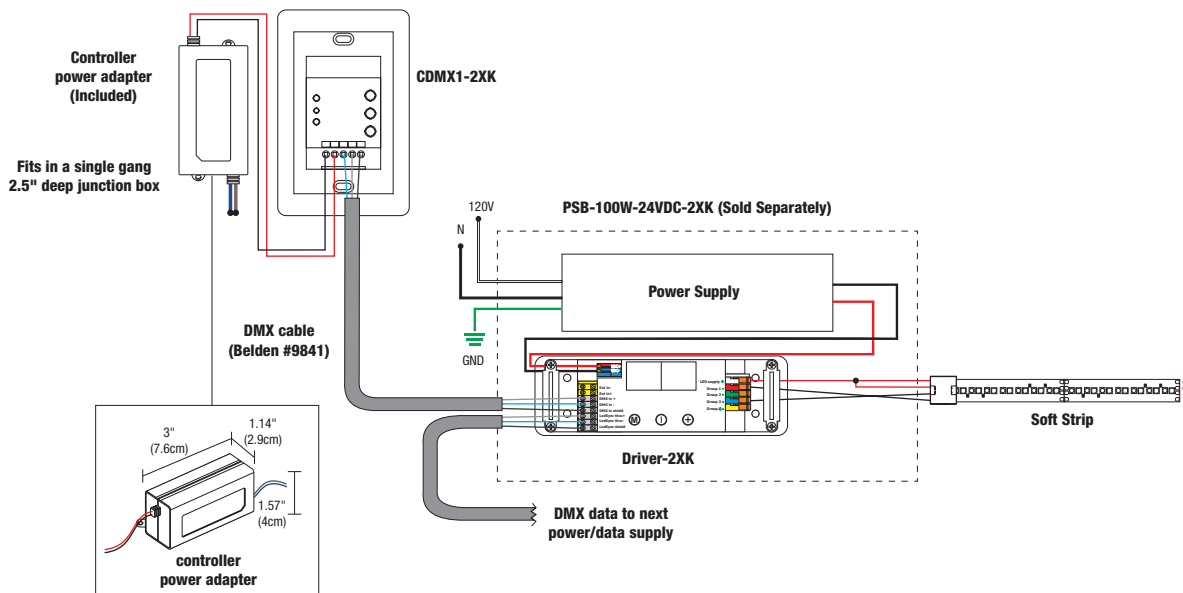
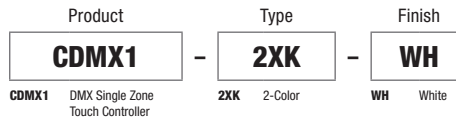
120-240VAC

Compatible Power Supplies (Sold Separately):

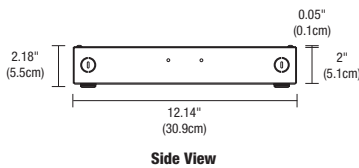
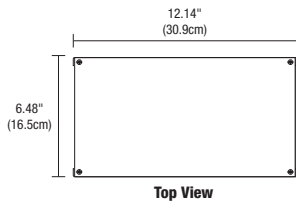
PSB-100W-24VDC-2XK 100W output, 120-277V Input
 PSB-2X100W-24VDC-2XK 2x100W output, 120-277V Input
 PSB-3X100W-24VDC-2XK 3x100W output, 120-277V Input
 PSB-4X100W-24VDC-2XK 4x100W output, 120-277V Input

Output Signal:

USITT DMX 512 (1990)



PROJECT	FIXTURE TYPE	DATE
---------	--------------	------



Description

LED power supplies transform and regulate power from a line voltage power source into low voltage power for use with LED lighting. The power supplies accept input voltage ranging from 120-277 volts AC and outputs 24 volts DC power. The integrated 2XK Driver receives signal from the Tunable White Touch Controller (CDMX1) to adjust color temperature and brightness for warm and cool white LEDs.

Applications

Indoor*

*To avoid overheating the power supply, install it in a ventilated remote location. Maintain proper spacing among power supplies when multiple power supplies are installed in the same remote location.

Power Input

120-277VAC, 50/60Hz

Power Output

PSB-100W-24VDC-2XK: Class 2; 24 volts DC 4A at 100 watts maximum
 PSB-2X100W-24VDC-2XK: Class 2; 24 volts DC 8A at 2x100 watts maximum
 PSB-3X100W-24VDC-2XK: Class 2; 24 volts DC 12A at 3x100 watts maximum
 PSB-4X100W-24VDC-2XK: Class 2; 24 volts DC 16A at 4x100 watts maximum

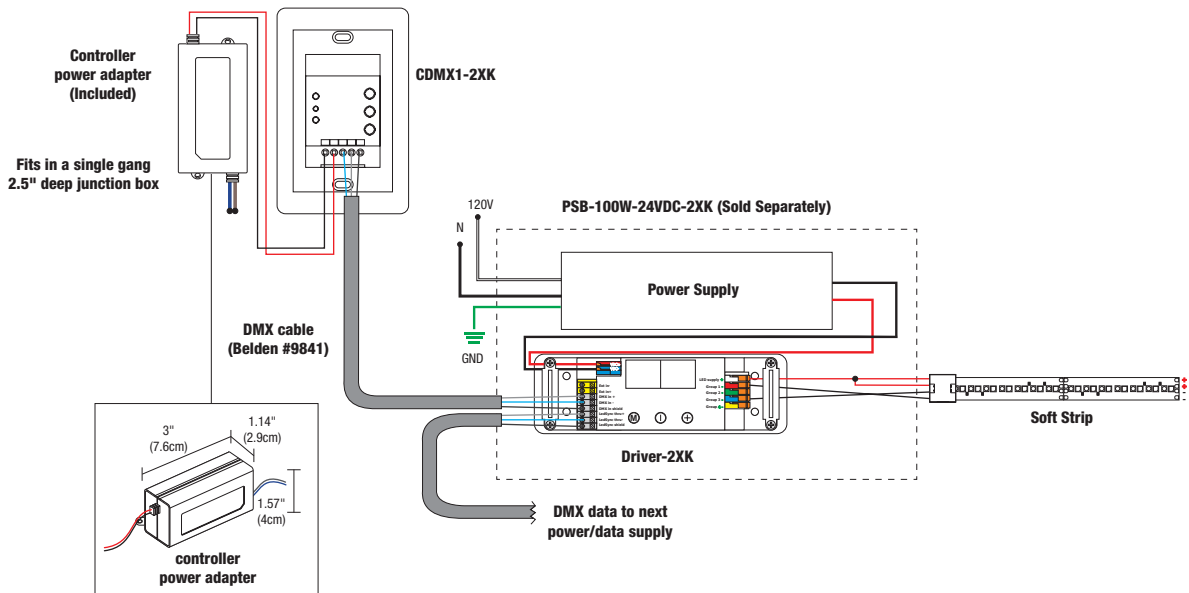
Dimensions

PSB-100W-24VDC-2XK: 12.14" x 6.5" x 2"
 PSB-2X100W-24VDC-2XK: 14" x 10" x 3"
 PSB-3X100W-24VDC-2XK: 17" x 13" x 3"
 PSB-4X100W-24VDC-2XK: 17" x 13" x 3"

Compatible Controllers

Only compatible with Tunable White Touch Controller (CDMX1-2XK)

Product	Wattage	Voltage	Mode
PSB	100W	24VDC	2XK
PSB Power Supply with Enclosure Box	100W 100 Watt 2X100W 2x100 Watt 3X100W 3x100 Watt 4X100W 4x100 Watt	24VDC 24 Volt DC	2XK Tunable White



PROJECT	FIXTURE TYPE	DATE
---------	--------------	------