

## Installation Instructions for Cirrus Float Stick End Feed

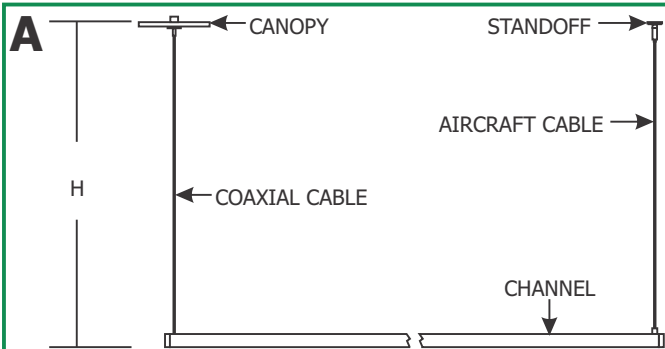
### IMPORTANT INFORMATION

- This product is suitable for indoor locations.
- This instruction shows a typical installation.
- Ensure that power to the junction box is **OFF** before beginning any electrical work.

**SAVE THESE INSTRUCTIONS!**



### Install the Fixture

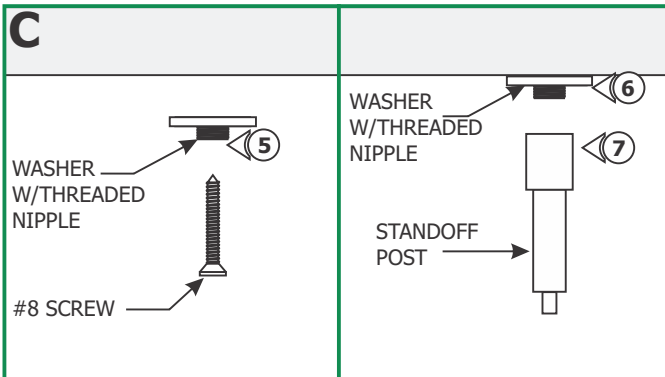
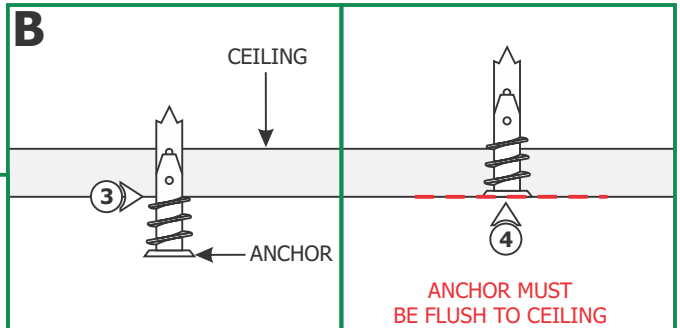


**1:** Measure the distance between the coaxial cable and the aircraft cable mounted on the channel. This measurement varies on the fixture length.

**2:** Mark the standoff location from the center of the electrical box for the distant achieved on step 1.

**3:** Tap the anchors onto the marked points up to the threaded portion with a hammer.

**4:** Screw in the threaded portion of the anchors with a Phillips screwdriver.

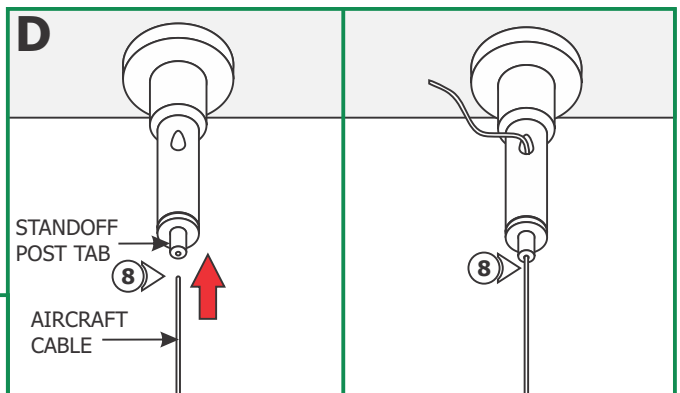


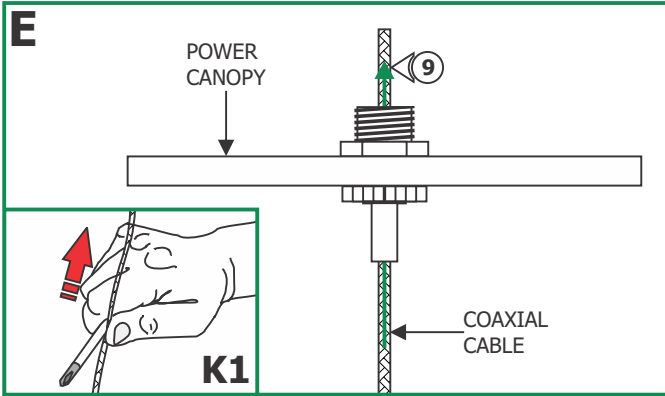
**5:** Feed the #8 screw through the washer w/threaded nipple into the anchor.

**6:** Tighten the #8-32 screw completely into the anchor.

**7:** Tighten the standoff posts completely onto the threaded

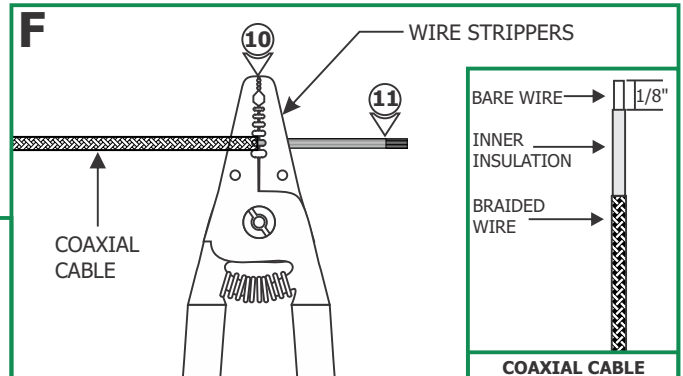
**8:** Push the tab on standoff and feed the aircraft cable from the channel into a standoff, to hold the one end of the fixture in place.





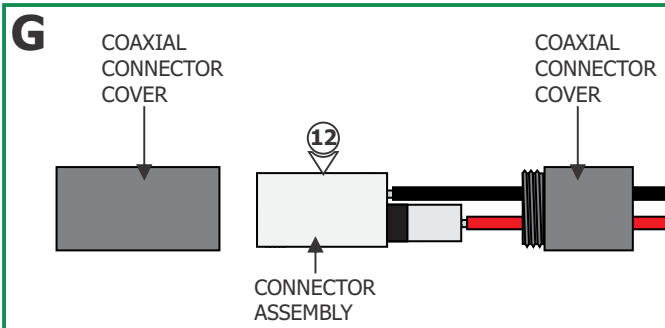
**9:** Feed the coaxial cable through the power feed canopy.

**NOTE:** If cable is curled or kinked, straighten by holding between the shaft of a screwdriver and thumb and pulling the cable through (see inset **K1**)

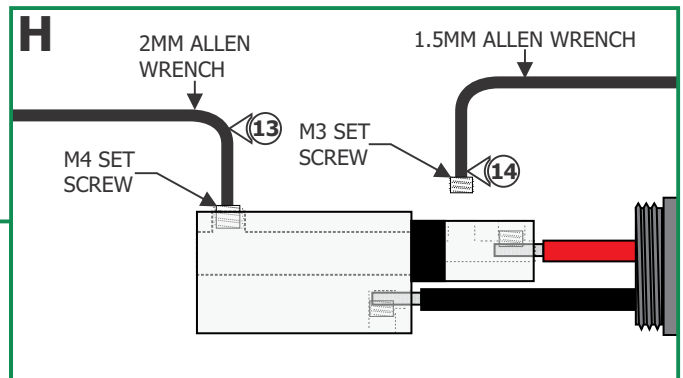


**10:** Using the 18 AWG hole of the wire strippers, remove 1" of the outer braided wire.

**11:** Using the 20 AWG hole of the wire strippers, remove 1/8" of inner plastic insulation from the end of the coaxial cable.

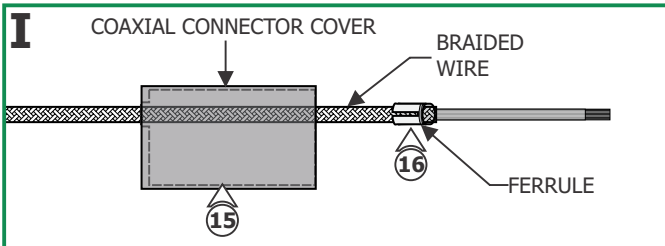


**12:** Unscrew the coaxial connector covers and remove from the connector assembly.



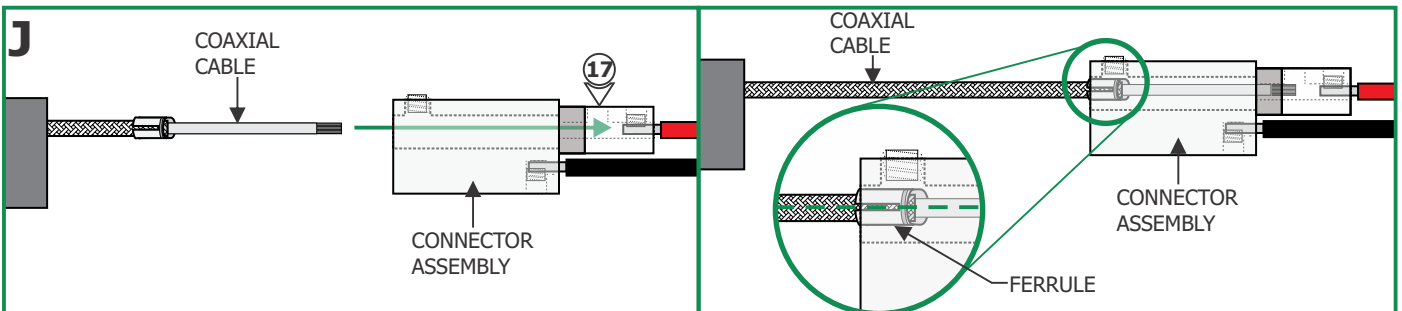
**13:** Using the provided 1.5mm Allen Wrench, remove the M3 set screw from the coaxial connector assembly.

**14:** Using the provided 2mm Allen wrench to loosen (do not remove) the M4 set screw.



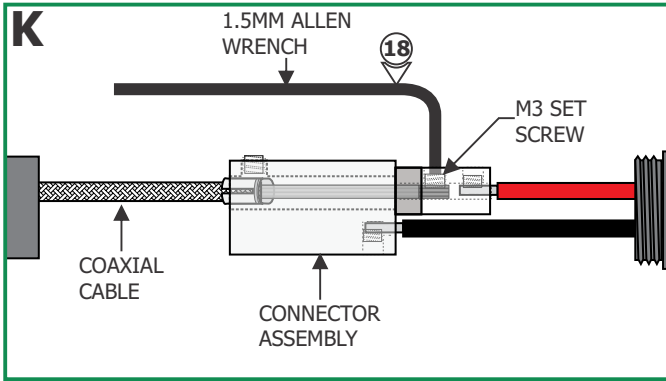
**15:** Slide the connector cover over the coaxial cable.

**16:** Place the ferrule over the braided wire of the coaxial cable.

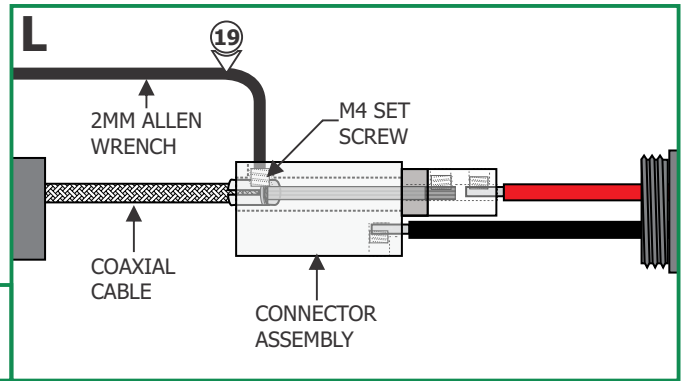


**17:** Insert the coaxial cable into the coaxial connector until the wires of the center conductor are visible through the M3 set screw hole.

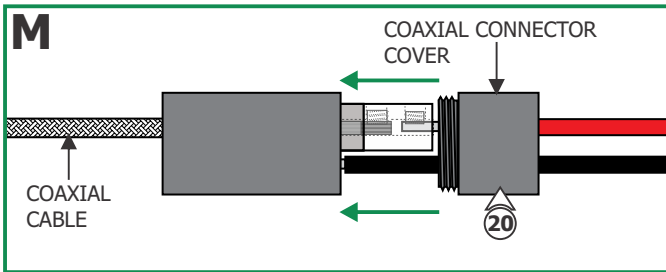
**NOTE:** Ensure that the split in the ferrule is aligned 90° from the M4 set screw (see inset).



**18:** Use the provided 1.5mm Allen wrench to replace and securely tighten the M3 set screw.



**19:** Use the provided 2mm Allen wrench to securely tighten the M4 set screw until it squeezes the wire ferrule tightly to the coaxial cable.



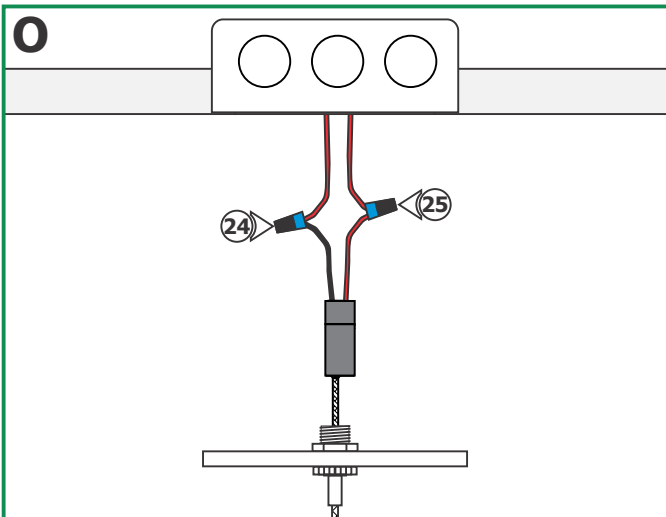
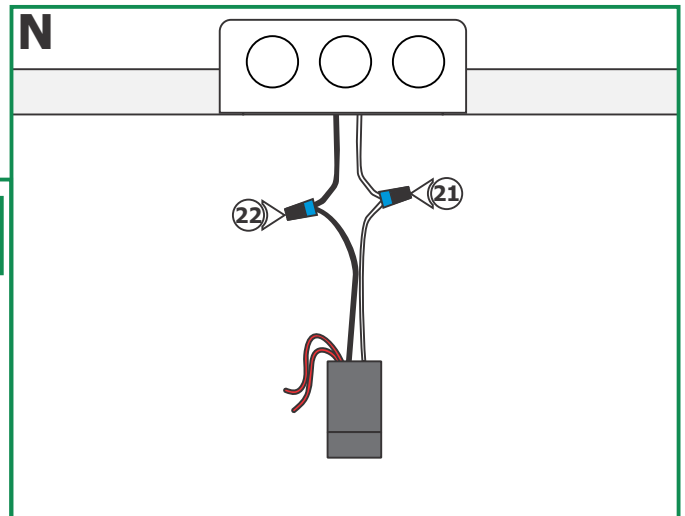
**20:** Replace the coaxial connector cover and tighten into place.

**NOTE:** Ensure that power to the junction box is **OFF** before beginning any electrical work.

**21:** Connect the white transformer wire to the neutral power wire with a wire nut.

**22:** Connect the black transformer wire to the hot power wire with a wire nut.

**23:** Place the transformer and transformer wires inside the junction box.

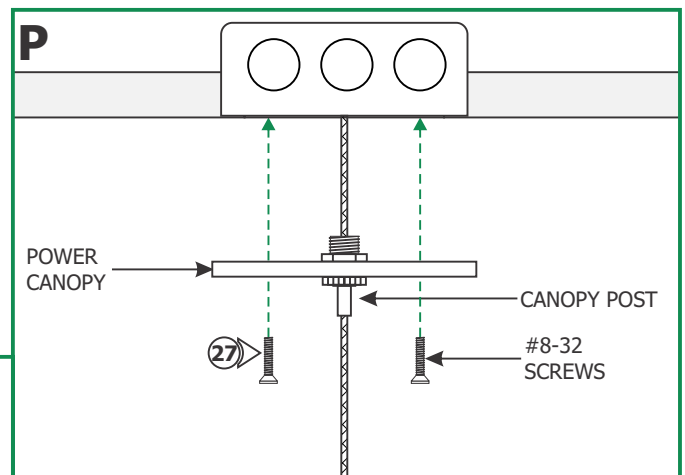


**24:** Connect one red transformer wire (either one) to the black coaxial connector wire using a wire nut

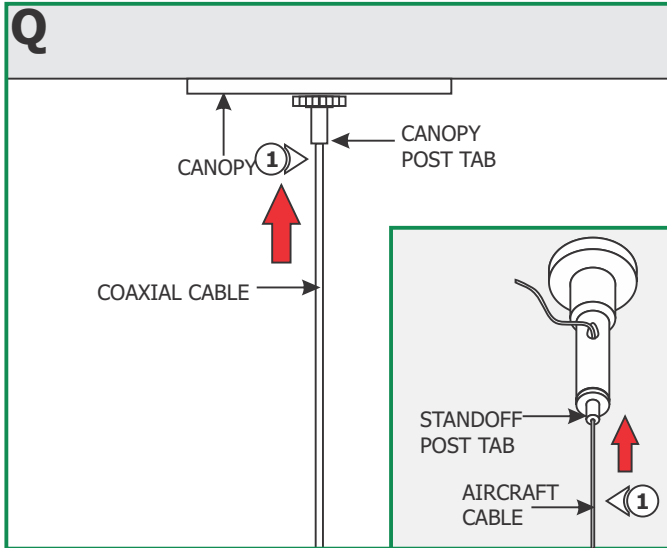
**25:** Connect the other red transformer wire to the red coaxial connector wire using a wire nut.

**26:** Place all connections into the junction box.

**27:** Secure the power canopy to the junction box using two #8-32 screws.



# Height Adjustments



- 1:** Adjust the fixture height by pushing the aircraft cable & coaxial cable in to the standoff posts & canopy post.
- 2:** If necessary push the tab on the standoffs & canopy post to release the wire.

## GENERAL WIRING DIAGRAM

