



1718 W. Fullerton Chicago, IL 60614
 Ph: 773.770.1195 • Fax: 773.935.5613
 www.PureEdgeLighting.com • info@PureEdgeLighting.com
 © 2016 PureEdge Lighting. All Rights Reserved.

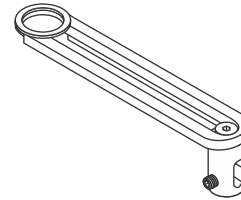
Installation Instructions for Adjustable Swag Hook

CS-ADJ-SWAG_

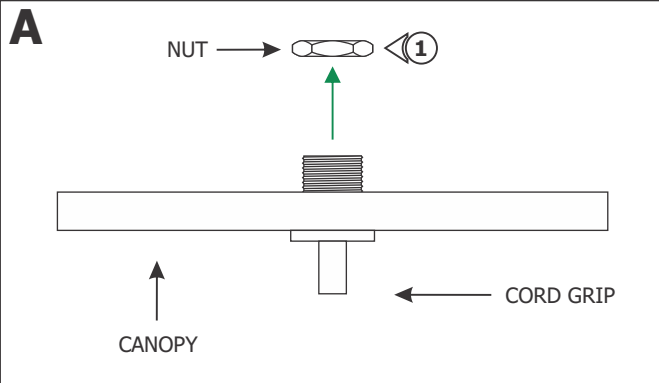
IMPORTANT INFORMATION

- Use the Adjustable Swag Hook when the power cable is within 3.5" off of the center of the canopy.

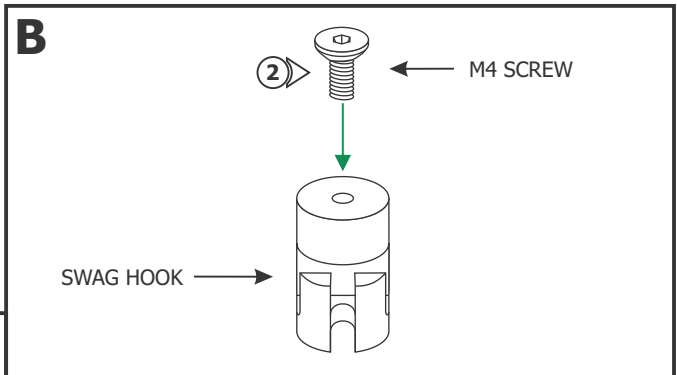
SAVE THESE INSTRUCTIONS!



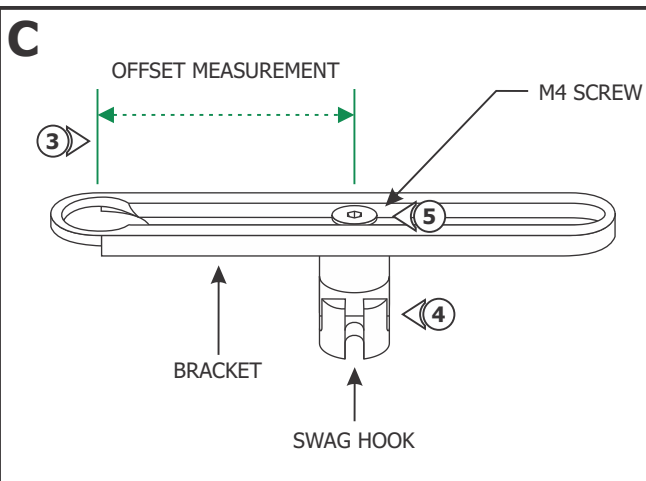
Install the Adjustable Swag Hook



1: Remove the nut from the back of the canopy to remove the cord grip.



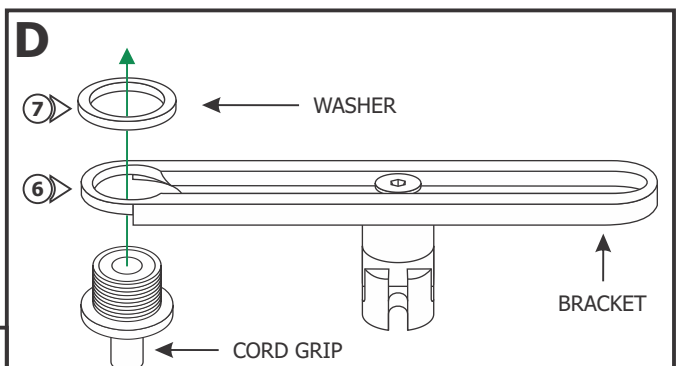
2: Insert the M4 screw halfway into the swag hook using a 2.5mm Allen wrench.



3: Determine the offset measurement of the power cord from the center of the M4 screw to center of the bracket hole.

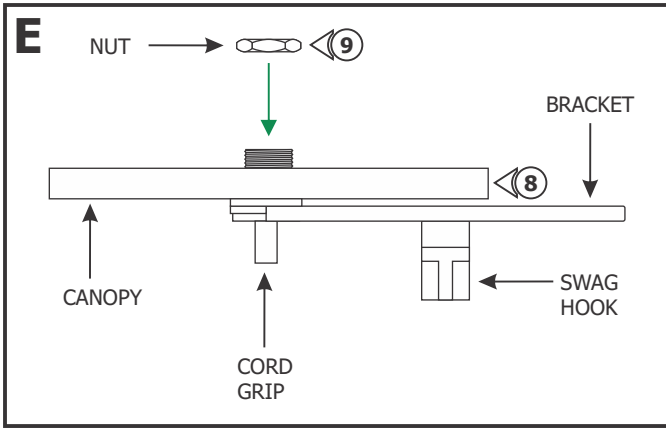
4: Slide the swag hook into the bracket. Adjust the position of the swag hook on the bracket so that the center of the screw to the center of the bracket hole is the offset measurement.

5: Tighten the M4 screw using a 2.5mm Allen wrench to secure the swag hook in place.



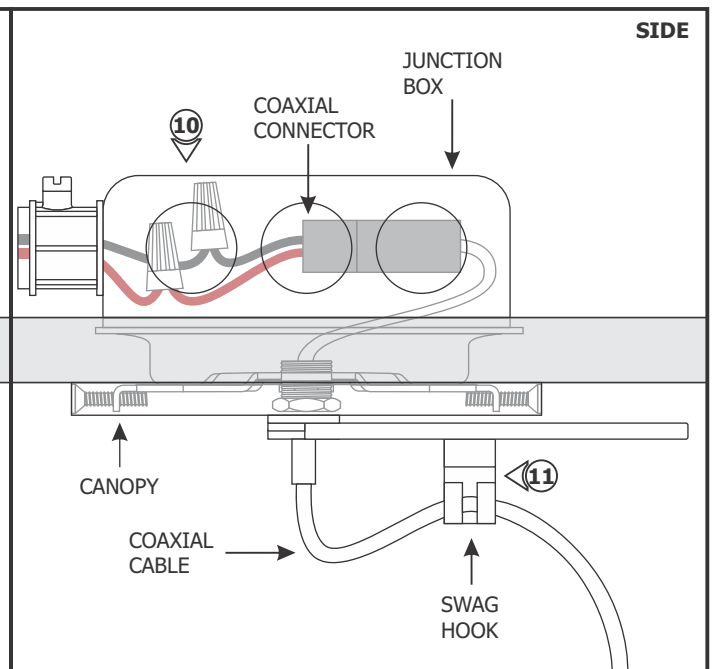
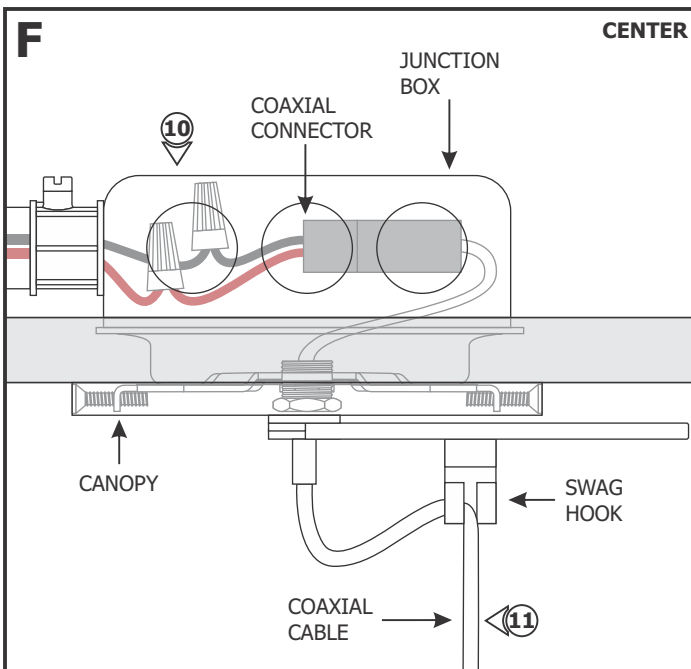
6: Insert the cord grip into the bracket hole.

7: Insert the plastic washer over the cord grip.



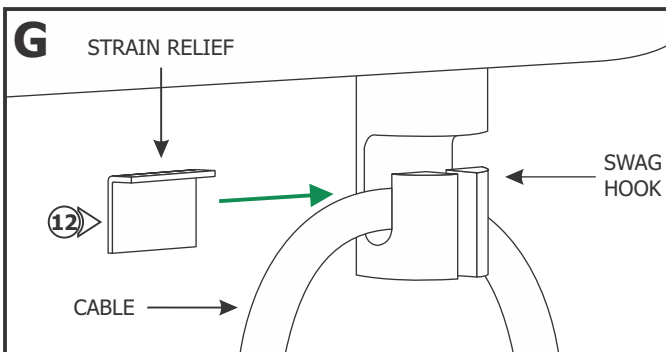
8: Place the canopy over the cord grip.

9: Replace and tighten the nut to the cord grip.



10: Refer to the instructions provided with the fixture to install the coaxial connector assembly and canopy.

11: Slide the coaxial cable into the swag hook through the center opening or the side opening. If necessary, rotate the bracket position.



12: Insert the strain relief into the swag hook behind the cable.

13: Tighten the M4 set screw snugly with the 2mm Allen wrench to hold the cable in place.

