



1718 W. Fullerton Chicago, IL 60614
 Ph: 773.770.1195 • Fax: 773.935.5613
 www.PureEdgeLighting.com • info@PureEdgeLighting.com
 © 2016 PureEdge Lighting. All Rights Reserved.

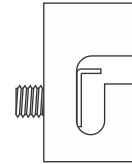
Installation Instructions for Swag Hook

CS-SWAG

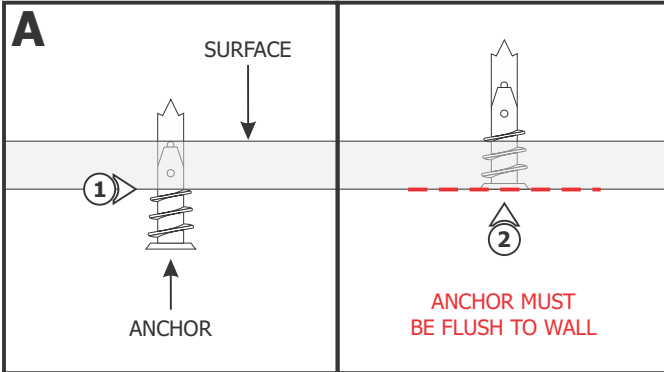
IMPORTANT INFORMATION

- Use the Swag Hook when the power cable locates greater than 3.5" off of the center of the canopy.

SAVE THESE INSTRUCTIONS!

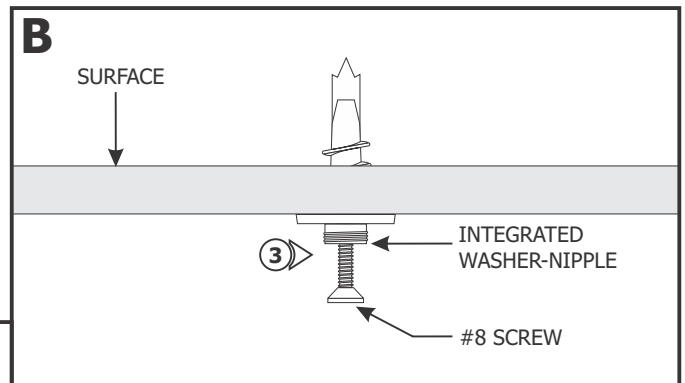


Install the Swag Hook

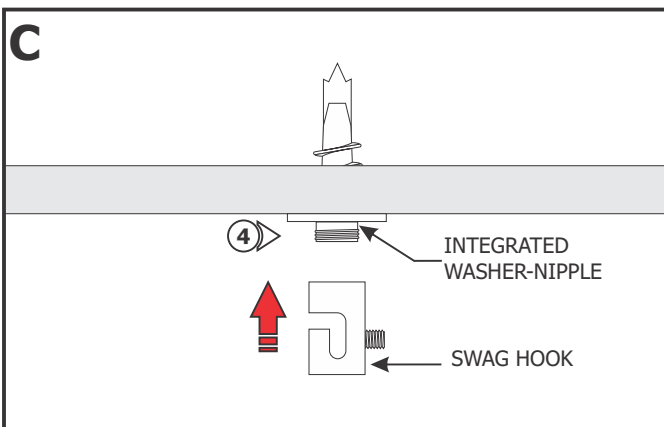


NOTE: Prior to installing Swag Hooks, proper location must be determined & marked.

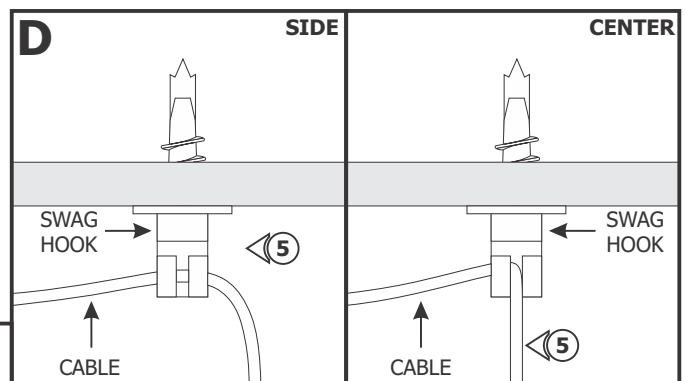
- 1: Tap the anchor onto the marked point up to the threaded portion with a hammer.
- 2: Screw in the threaded portion of the anchor with a Phillips screwdriver.



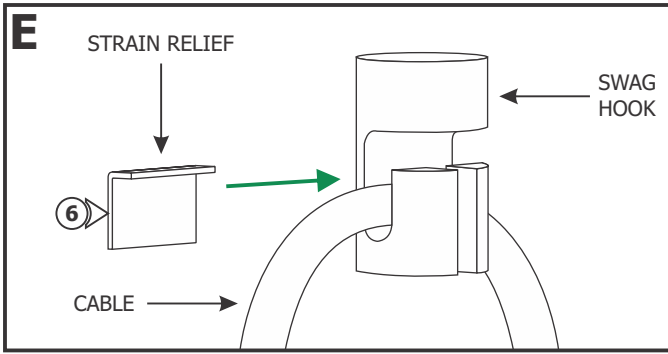
- 3: Mount the integrated washer-nipple to the anchor using the #8 screw provided.



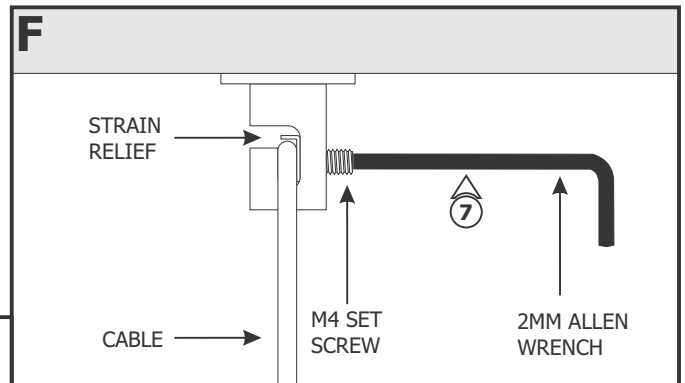
- 4: Screw the swag hook completely onto the integrated washer-nipple.



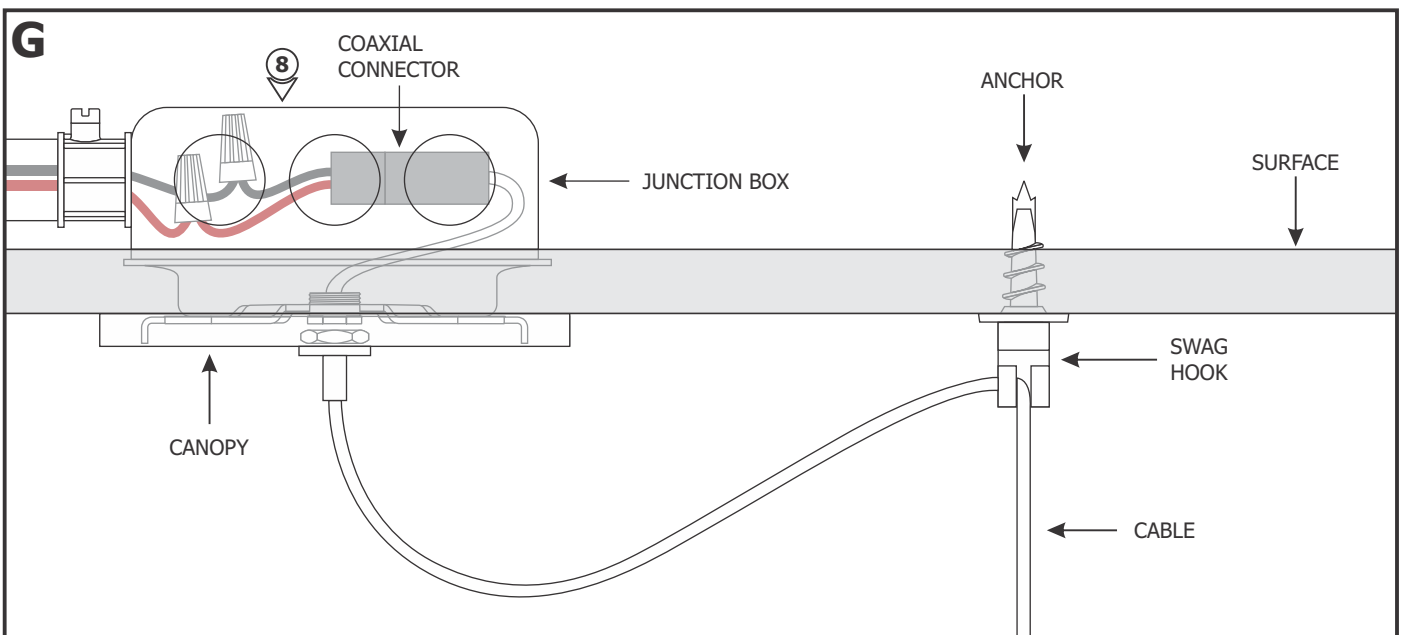
- 5: Slide the coaxial cable into the swag hook through the side opening or the center opening.



6: Insert the strain relief into the swag hook behind the cable.



7: Tighten the M4 set screw snugly with the 2MM Allen wrench provided to hold the cable in place.



8: Refer to the instructions provided with the fixture to install the coaxial connector assembly and canopy.