

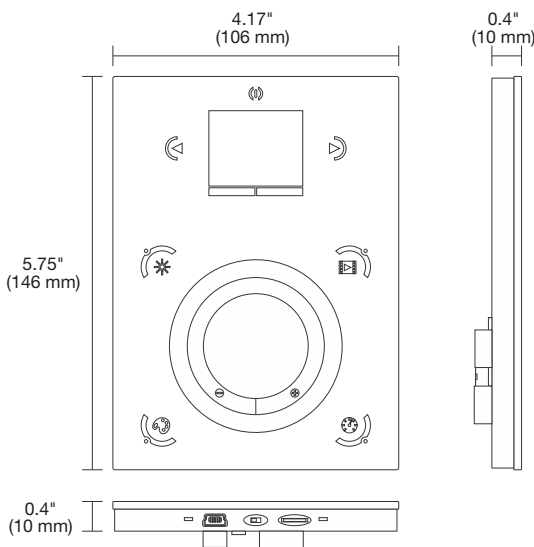
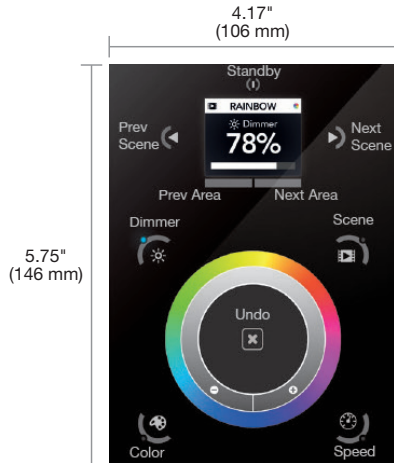


CTP

COLOR TOUCH SCREEN CONTROLLER WITH POWER ADAPTER



REV 07.24.20



DESCRIPTION:

Full touch controller offers fast and accurate color tone adjustment and independent brightness control. The 10 zone controller can adjust RGB and RGBW LEDs smoothly and accurately. Independent smooth dimming of each channel enables the controller to achieve millions of colors. For indoor applications only, and includes a Power Adapter to operate the controller.

FEATURES AND BENEFITS:

KEY FEATURES:

- Sleek glass design which sits 11mm from the wall
- Graphical color display to show selected environment
- Color/dimmer/speed palette
- Color temperature mixing
- Touch sensitive buttons. No mechanical parts
- Touch sensitive wheel allows for accurate color selection
- Multi-zone microSD memory
- Multi-room control with 500 scenes, 10 zones
- 1024 DMX channels. Control 340 RGB fixtures
- USB & Ethernet connectivity for programming and control
- RS232, Dry Contact Ports and an Infra Red input port
- Clock and calendar with Sunrise/Sunset triggering
- Network communication. Control lighting remotely
- Catalog of designs including black and white glass
- OEM customization of the color palette and logo
- Windows/Mac software to set dynamic colors/effects
- iPhone/iPad/Android remote and programming apps

APPLICATIONS:

Indoor

POWER ADAPTER:

9VDC 0.65A (included)

POWER INPUT:

7VDC 0.6A

OUTPUT SIGNAL:

DMX512 1,024 channels total

INPUT SIGNAL:

Universal IR receiver (Sold Separately), RS232, Contact Closure, Live Computer Link, DMX512, WiFi

CONNECTIONS:

USB, Ethernet, RS232, Clock, 8 dry contact ports, open drain output

MEMORY:

microSD (32GB Max)

COMPUTER AND MOBILE DEVICE REQUIREMENTS:

IPHONE/IPAD/ANDROID:

The controller may be used with any of the following apps: DMX Lightpad 3, Easy Remote and Arcolis may be downloaded from App Store or Google Play.

ESA PRO SOFTWARE (WINDOWS ONLY, TIMELINE AND MULTI-ZONE):

Windows ME, XP, Vista, 7 or 8 (32 bits and US 2.0, computer connection required for initial setup only.)

ESA2 SOFTWARE (WINDOWS/MAC, SINGLE ZONE):

Windows ME, XP, Vista, 7 or 8

Mac OS X 10.7 (Lion), 10.8 (Mountain lion), 10.9 (Mavericks), 10.10 (Yosemite)

Product

CTP

CTP Color Touch Screen Controller with Power Adapter



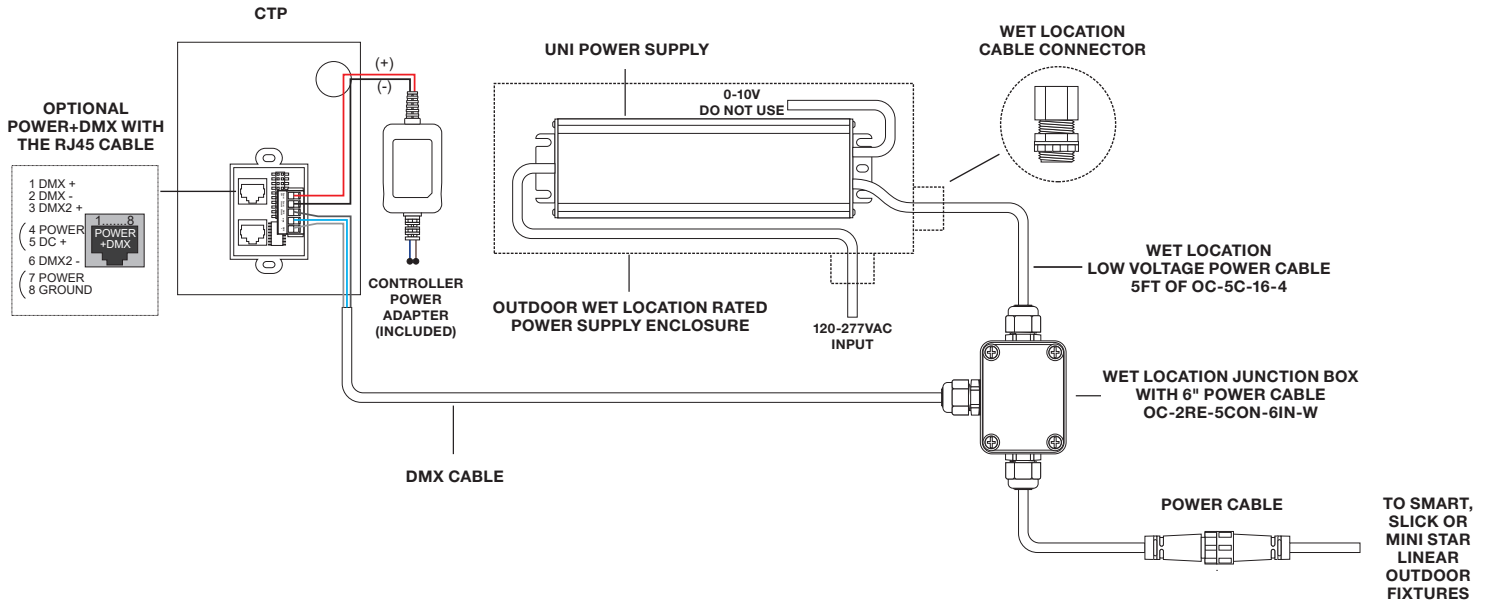
CTP

COLOR TOUCH SCREEN CONTROLLER WITH POWER ADAPTER



REV 07.24.20

WIRING DIAGRAM FOR LINEAR LIGHTING RGB/RGBW: SMART, SLICK AND MINI STAR ONLY



Con-1-2CORD-O Cord conductors included

OUTDOOR POWER SUPPLY FOR SMART, SLICK & MINI STAR FIXTURES

Universal Power Supply: 120/277VAC-24VDC with Universal dimming ELV, Triac or 0-10V dimmers. 100-0% Flicker free dimming. Aluminum casing for optimal heat dissipation. Isolated output power per NEC and UL safety requirements. UL & ETL recognized/ listed, meets UL8750, 1310 requirement. Auto-reset; short circuit, overload and thermal protection. Class 2 power supply. Efficient, High power factor > 0.90. Exceeds California Title 24 Requirements AAA rating. Efficiency > 84% Power Factor > 0.90. Case TC 90C° Max. Protection Input / Output Storage -30°C / +90°C Humidity 95% RH Max. Class 2 Power Supply Dimming ELV, Triac, 0-10V IP Rating IP20, IP67



Product	Wattage	Type	Voltage	Option
PSB	60W	UNI	24VDC	W
<small>PSB Power Supply with junction box</small>	<small>60W 60 Watts 96W 96 Watts</small>	<small>UNI Uni Driver</small>	<small>24VDC 24VDC</small>	<small>W Wet Location</small>



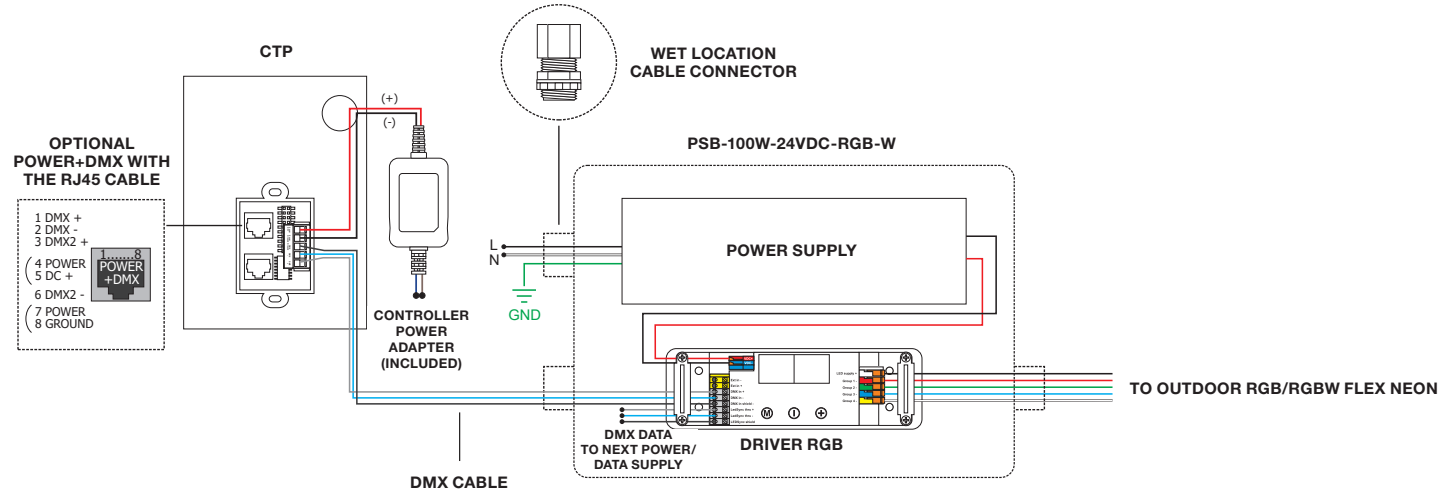
CTP

COLOR TOUCH SCREEN CONTROLLER WITH POWER ADAPTER



REV 07.24.20

WIRING DIAGRAM FOR OUTDOOR RGB/RGBW FLEX NEON, SOFT STRIP, AND SOFT STRIP FIXTURES ONLY



PSB-2X96W-24VDC



PSB-96W-24VDC

DESCRIPTION

OUTDOOR POWER SUPPLY FOR FLEX NEON, SOFT STRIP AND SOFT STRIP FIXTURES

Surface Mount, exterior-rated LED Power Supply utilizes drivers for powering 24VDC constant voltage products. Constant voltage LED Power Supply for outdoor environments are designed to provide regulated voltage through the DMX driver to the LED module. Designed for outdoor RGB and RGB+W Soft Strip and Flex Neon.

- Universal Input Voltage
- Ripple Free
- IP65 – For Both Indoor and Outdoor Use
- No Minimum Load Requirement
- Class 2, Class P
- Auto-Reset Protection for Short Circuit & Over-Temperature
- Over Load Protection – CC Mode

CONTROLS

- CDMX1-RGBW - Single zone DMX touch controller
- CTP - Multiple zone DMX touch controller

POWER INPUT

UNIVERSAL Input voltage ranging from 120 to 277VAC

DIMENSIONS

PSB-96W-24VDC-RGB-WT
PSB-96W-24VDC-RGBW-WT
 Length: 10"
 Width: 7.1"
 Height: 3.3"
 Weight: 1.6lbs

PSB-2X96W-24VDC-RGB-WT
PSB-2X96W-24VDC-RGBW-WT
 Length: 11.8"
 Width: 9.1"
 Height: 3.4"
 Weight: 2.26lbs

LABELS

Assembled in America, Class P, Class 2, IP65, 120-277V, Dimmable, RoHS Compliant, 24VD

