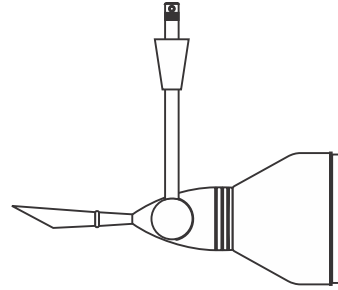


Installation Instructions for Spirit 3", 6", & 12"

IMPORTANT SAFETY INSTRUCTIONS

To reduce the risk of fire, electrical shock, exposure to excessive UV radiation, or injury to persons:

- Use this fixture indoors only.
- Do not look directly at the lamp while the fixture is on.
- **RISK OF FIRE:** Use only the type of lamp and maximum wattage indicated in this instruction manual.
- Never cover the halogen lamp with anything other than a lamp shield provided by Edge Lighting and never place flammable material close to the fixture.
- Never turn the fixture on and off by connecting and disconnecting the halogen lamp.
- Do not touch the fixture head, shade or lamp shield while the fixture is on. These surfaces may be **VERY HOT**.
- Do not touch lamp at anytime. Use a soft cloth instead as oil from skin may damage lamp.
- It is normal for a new halogen lamp to produce minor smoke when first turned on.
- Do not operate the luminaire with a missing or damaged shield.
- Turn power off and allow to cool before replacing lamp.

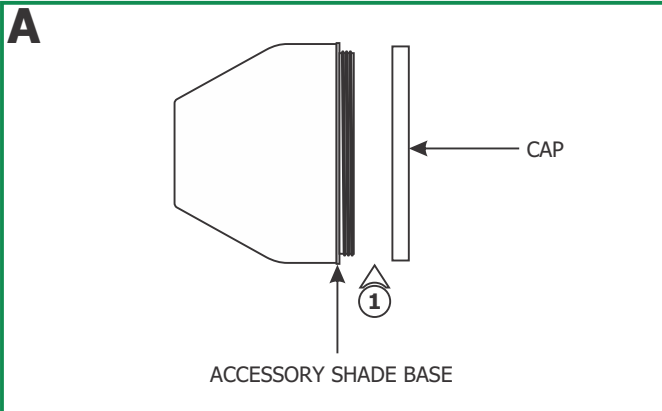


IMPORTANT INFORMATION

- This product is ETL listed for indoor dry locations.
- This product is not restricted to certain height installation. It is approved to be used at any height above the floor.
- Applicable accessories are Hexcell Louver, Glass Lenses, Little Shady Mesh Back Shade, Little Shady Round Back Solid Shade, Little Shady Round Back Glass Shade, Large Solid Back Shade.

SAVE THESE INSTRUCTIONS!

Install the Lamp & Accessory Shade (S3-__)



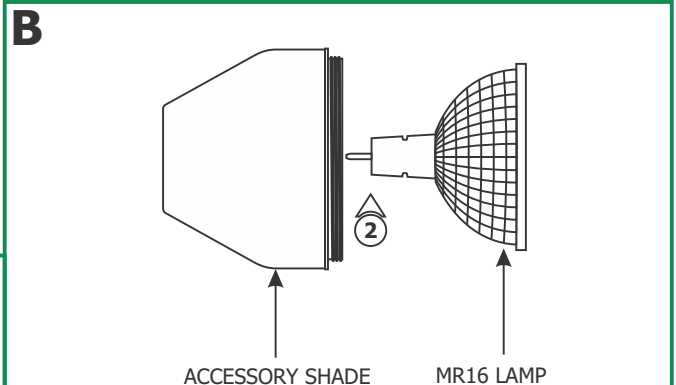
CAUTION: To reduce risk of a burn or electrical shock during lamping, disconnect the power to the fixture.

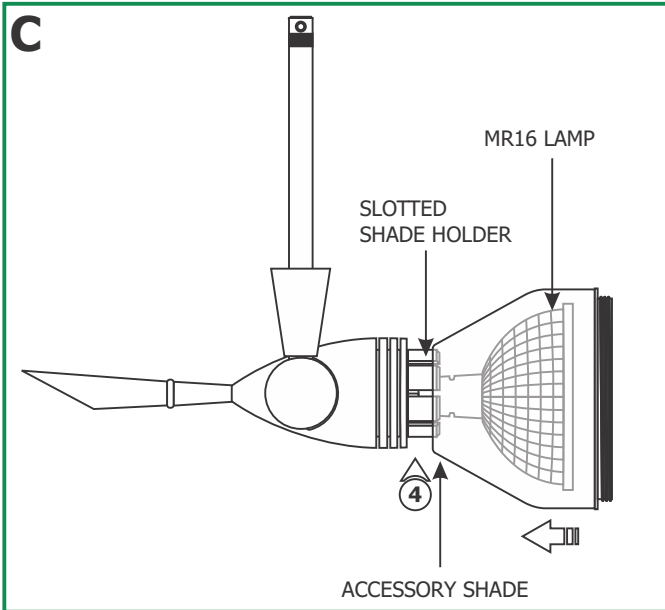
- 1:** Unscrew and remove the cap from the accessory shade base (this only applies for Little Shady round back glass shade accessory).

Use **MAX 50** Watt, Type MR16 Front Glass Cover Halogen Lamp.



- 2:** Place the MR16 lamp into the accessory shade.

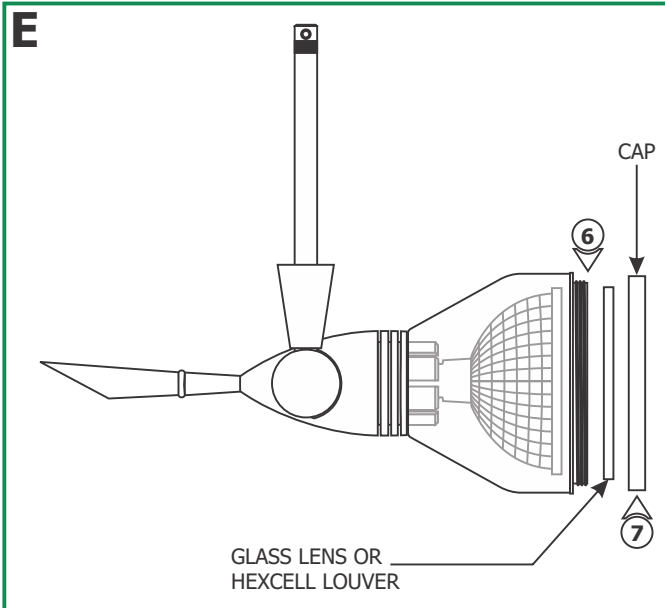
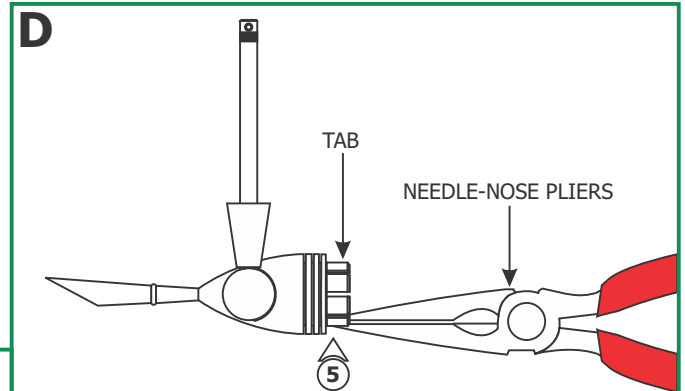




3: Line up the MR16 lamp pins with the socket holes.

4: Push the lamp pins completely into the socket holes and simultaneously push the accessory shade onto the slotted shade holder.

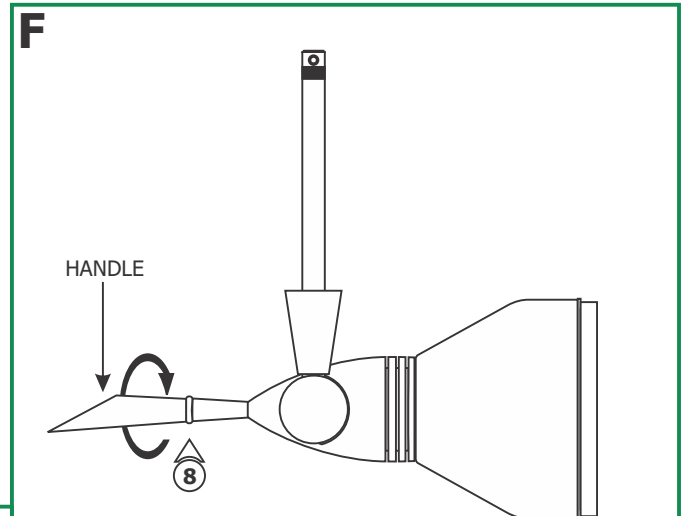
5: The accessory shade must fit snugly onto the slotted shade holder. If adjustment is necessary, carefully bend the slotted shade holder tabs slightly in or out with needle-nose pliers.



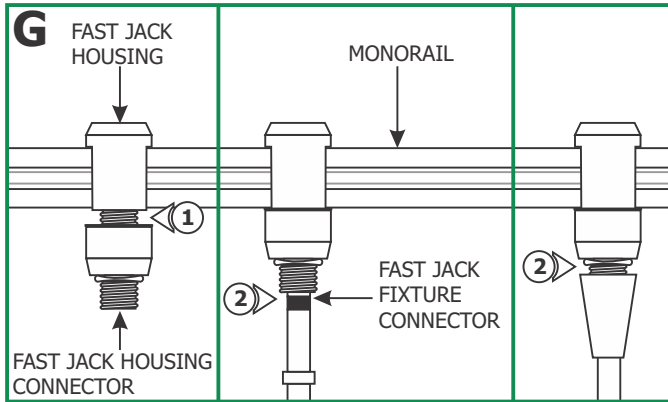
6: Place the optional glass lens or hexcell louver accessory into the cap (this only applies for Little Shady round back glass shade accessory).

7: Screw the cap completely to the accessory shade base (this only applies for Little Shady round back glass shade accessory).

8: OPTIONAL: To position the handle in a different angle turn the plastic portion of the handle clockwise until desired position is achieved.



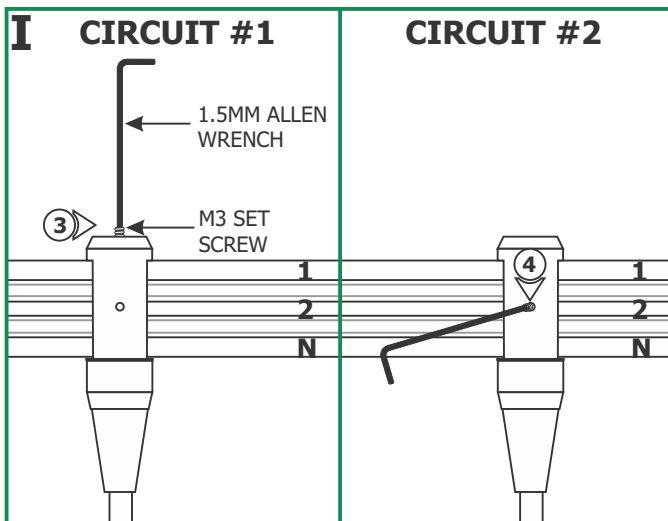
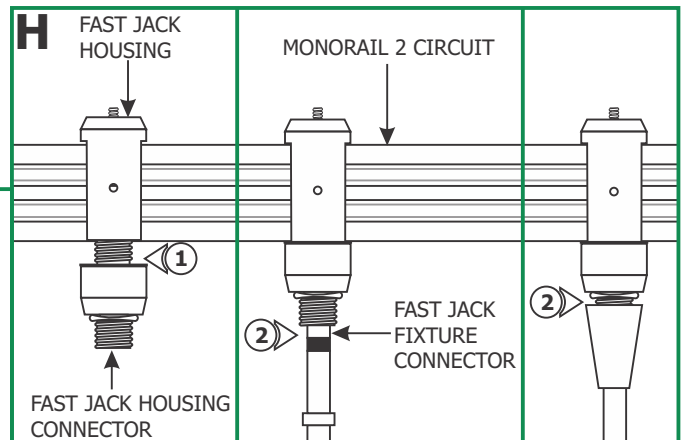
Install the Fixture to Monorail Connector (MC-FJ-_)



- 1: Place the Fast Jack housing onto the Monorail and use fingers to tighten the Fast Jack housing connector to the Fast Jack housing. **Make sure that the Fast Jack housing connector is not cross threaded.**
- 2: Use fingers to tighten the Fast Jack fixture connector into the Fast Jack housing connector.

Install the Fixture to Monorail 2 Circuit Connector (M2C-FJ-_)

- 1: Place the Fast Jack housing onto the Monorail 2 Circuit and use fingers to tighten the Fast Jack housing connector to the Fast Jack housing. **Make sure that the Fast Jack housing connector is not cross threaded.**
- 2: Use fingers to tighten the Fast Jack fixture connector into the Fast Jack housing connector.



- 3: To power the fixture from circuit #1, top and bottom (neutral) rails, tighten the M3 set screw on top of the housing with the 1.5mm Allen wrench. **Make sure this set screw connection is very tight.**
- 4: To power the fixture from circuit #2, middle and bottom (neutral) rails, remove the M3 set screw from top of the housing and tighten it into the side threaded hole with the 1.5mm Allen wrench. **Make sure this set screw connection is very tight.**

NOTE: To avoid shorting the system, do not use more than one set screw to select a circuit on the Monorail 2 Circuit connector.

NOTE: Do not load either circuit over the maximum system rating.

Install the Fixture to Fast Jack Canopy (FJP-2SQ-_, FJP-4SQ-_, FJP-4RD-_)

- 1: Use fingers to tighten the Fast Jack fixture connector into the Fast Jack canopy connector.

