

SPIRIT - FAST JACK FIXTURE HEAD

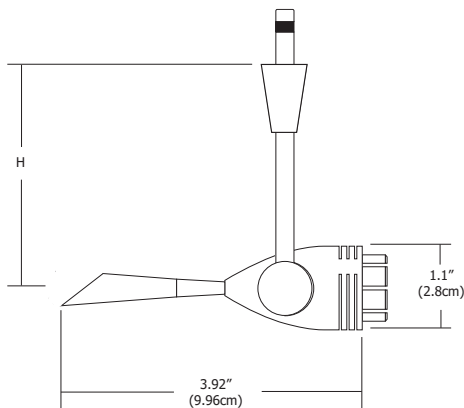
REV 12.06.17

DESIGNED BY GREGORY KAY | MADE IN USA

Compatible System Connectors



FJ-SPI-3-SN-S1-SN
Fast Jack Spirit with S1-SN, Little Solid Shade Accessory in Satin Nickel.



FJ-SPI-__
Fast Jack Spirit connects to any Monorail, Monorail 2-Circuit or Fast Jack Canopy Connector.

Description:

The Spirit fixture head, a stylish directional light with cool-to-the-touch handle, rotates 360° and tilts 250°. It adapts to various accessory shades (required, sold separately) to enhance any environment.

System:

Monorail (M) or Monorail 2 Circuit (M2) Use Fast Jack (FJ) version for FJ canopies

Body Finish:

Satin Nickel, Polished Nickel or Antique Bronze

Lamp Specifications:

Up to 50 watt MR16 lamp GU5.3 bi-pin base - 12/24 volt
LED MR16 Compatible with S2 Shade Only (Sold Separately)

Shade Accessories (required, also sold separately):

S1 - Little Solid Shade, S2 - Little Mesh Shade, S3 - Round Glass Shade or S5 - Big Solid Shade

See Accessories Spec Sheet for Complete Details.

Lens and Louver Accessories (sold separately):

Hexcell Louver, Glass Lenses or Snoot

Weight:

1 lb (.45 kg)

FIXTURE CODE

SHADE ACCESSORY CODE

System	Fixture	Height (H)	Finish	Accessory	Glass Color*	Finish
FJ	SPI	3	SN	S3	AM	SN
FJ Fast Jack M Monorail M2 Monorail 2 Circuit	SPI Spirit	3 3" (7.6cm) 6 6" (15.2cm) 12 12" (30.5cm)	SN Satin Nickel PN Polished Nickel BZ Antique Bronze	S1 Little Solid Shade S2 Little Mesh Shade S3 Round Glass Shade S5 Big Solid Shade	AM Amber (S3) WH White (S3) * Leave blank for S1, S2, S5	SN Satin Nickel (S1, S3, S5) PN Polished Nickel (S1, S2, S3, S5) BZ Antique Bronze (S1, S2, S3, S5) BK Black (S1, S2)

Fast Jack Power Canopy Ordered Separately

PROJECT	FIXTURE TYPE	DATE
---------	--------------	------