

# SPIRIT - FAST JACK FIXTURE HEAD

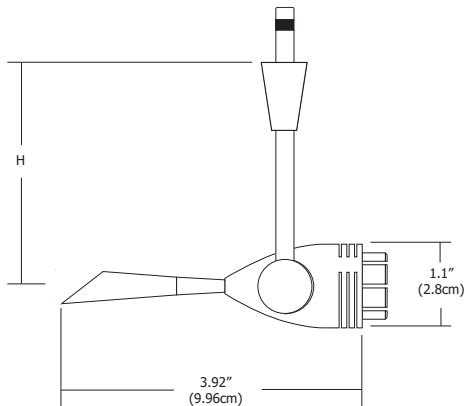
REV 12.06.17

DESIGNED BY GREGORY KAY | ASSEMBLED IN AMERICA

Compatible System Connectors



**FJ-SPI-3-SN-S1-SN**  
Fast Jack Spirit with S1-SN, Little Solid Shade Accessory in Satin Nickel.



**FJ-SPI-\_\_**  
Fast Jack Spirit connects to any Monorail, Monorail 2-Circuit or Fast Jack Canopy Connector.

**Description:**

The Spirit fixture head, a stylish directional light with cool-to-the-touch handle, rotates 360° and tilts 250°. It adapts to various accessory shades (required, sold separately) to enhance any environment.

**System:**

Monorail (M) or Monorail 2 Circuit (M2) Use Fast Jack (FJ) version for FJ canopies

**Body Finish:**

Satin Nickel, Polished Nickel or Antique Bronze

**Lamp Specifications:**

Up to 50 watt MR16 lamp GU5.3 bi-pin base - 12/24 volt  
**LED MR16 Compatible with S2 Shade Only (Sold Separately)**

**Shade Accessories (required, also sold separately):**

S1 - Little Solid Shade, S2 - Little Mesh Shade, S3 - Round Glass Shade or S5 - Big Solid Shade

See Accessories Spec Sheet for Complete Details.

**Lens and Louver Accessories (sold separately):**

Hexcell Louver, Glass Lenses or Snoot

**Weight:**

1 lb (.45 kg)

**FIXTURE CODE**

**SHADE ACCESSORY CODE**



**FJ** Fast Jack  
**M** Monorail  
**M2** Monorail 2 Circuit

**SPI** Spirit

**3** 3" (7.6cm)  
**6** 6" (15.2cm)  
**12** 12" (30.5cm)

**SN** Satin Nickel  
**PN** Polished Nickel  
**BZ** Antique Bronze

**S1** Little Solid Shade  
**S2** Little Mesh Shade  
**S3** Round Glass Shade  
**S5** Big Solid Shade

**AM** Amber (S3)  
**WH** White (S3)  
\* Leave blank for S1, S2, S5

**SN** Satin Nickel (S1, S3, S5)  
**PN** Polished Nickel (S1, S2, S3, S5)  
**BZ** Antique Bronze (S1, S2, S3, S5)  
**BK** Black (S1, S2)

Fast Jack Power Canopy Ordered Separately

|         |  |              |  |      |  |
|---------|--|--------------|--|------|--|
| PROJECT |  | FIXTURE TYPE |  | DATE |  |
|---------|--|--------------|--|------|--|