

Installation Instructions for **12" Round 3 & 4 Port Fast Jack Canopy**

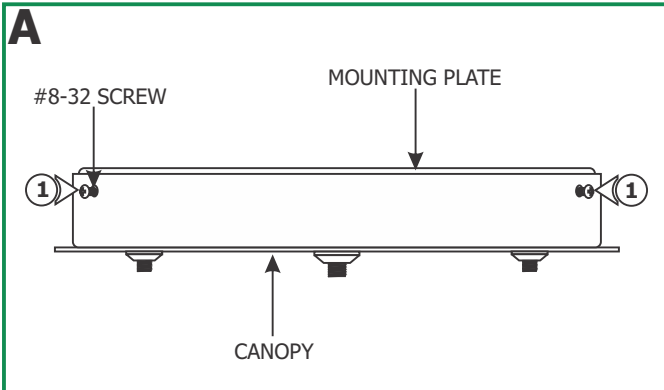
IMPORTANT INFORMATION

- This product is ETL listed for indoor dry locations.
- This product is dimmable with a standard incandescent dimmer.
- This product can be installed to a 4" electrical box with round plaster ring, or to an octagon electrical box.

SAVE THESE INSTRUCTIONS!

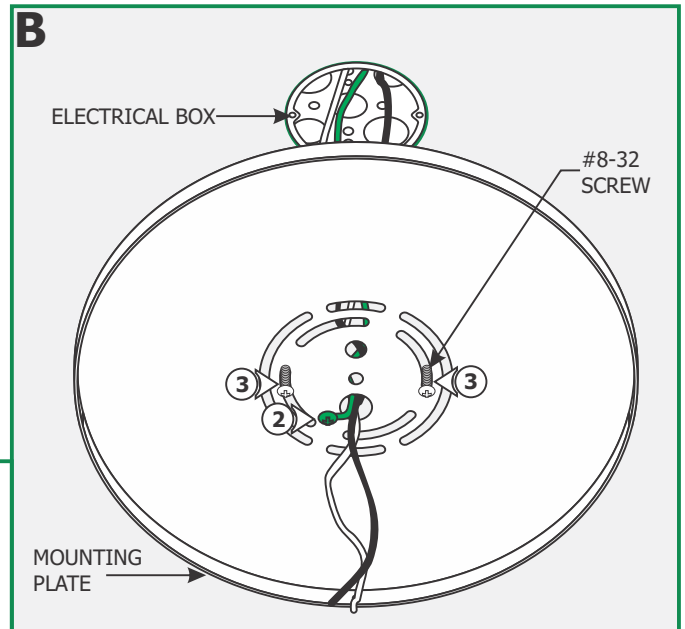


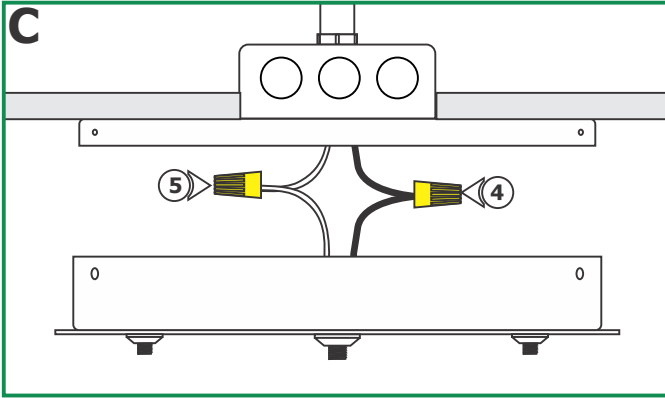
Install the Canopy



1: Loosen and remove the three #8-32 screws from the canopy to remove the mounting plate.

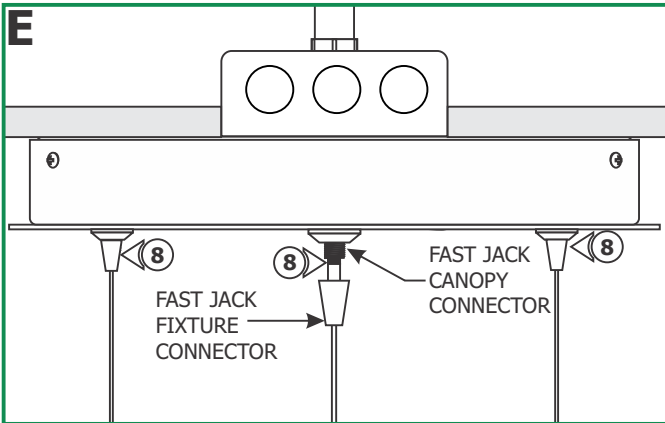
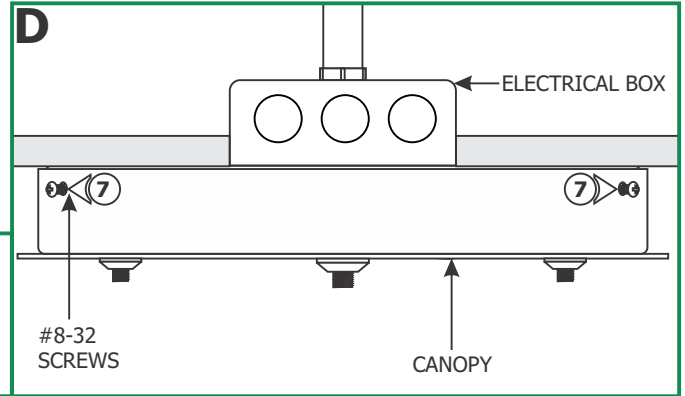
- 2:** Make sure the mounting plate is grounded in accordance with local electrical codes.
- 3:** Mount the mounting plate to the electrical box with the two #8-32 screws provided.





- 4: Connect the white fixture wire to the neutral power wire with a wire nut.
- 5: Connect the black fixture wire to the hot power wire with a wire nut.

- 6: Place all the wires and wire nut connections inside the canopy.
- 7: Align and secure the canopy to the mounting plate by tightening the three #8-32 screws.



CAUTION: Risk of Fire: MAX load of each Fast Jack canopy connector is **75** watt.

- 8: Use fingers to tighten the Fast Jack fixture connector into the Fast Jack canopy connector.