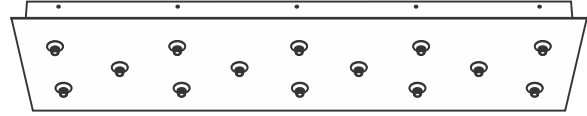


Installation Instructions for 14 or 17 Port Rectangle Fast Jack Canopy

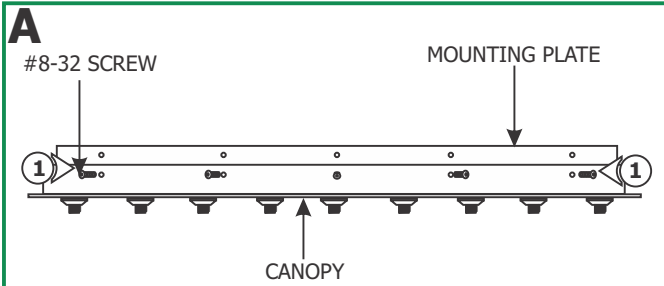
IMPORTANT INFORMATION

- This product is dimmable with a low voltage electronic dimmer.
- This product can be installed to a 4" electrical box with round plaster ring, or to an octagon electrical box.

SAVE THESE INSTRUCTIONS!



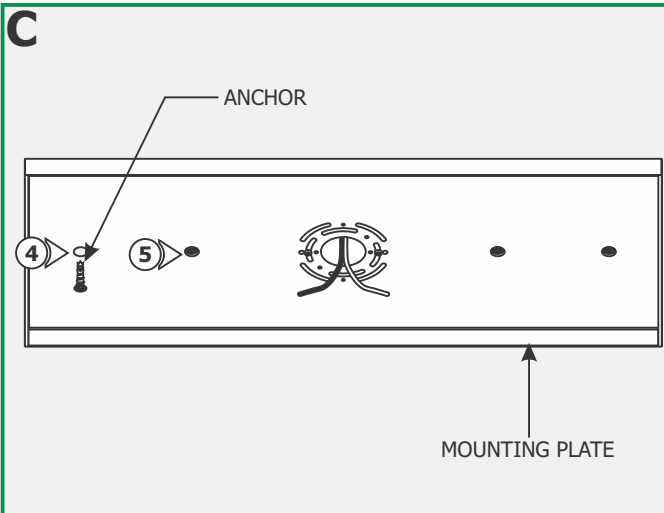
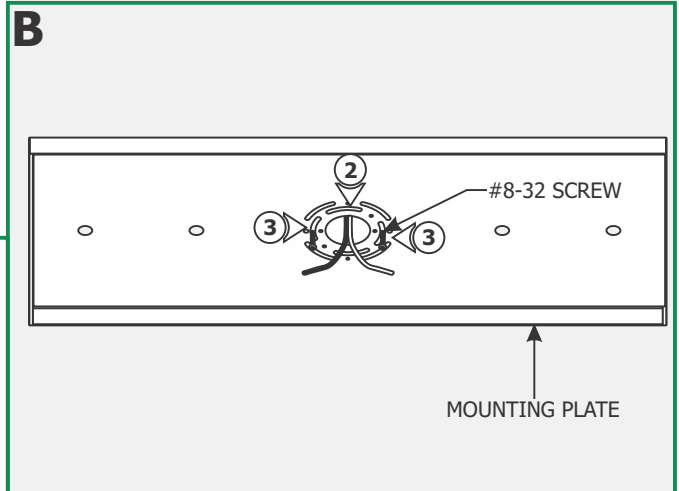
Install the Canopy



- 1:** Remove the fourteen #8-32 screws around the canopy to remove the mounting plate.

NOTE: It is recommended that a person to hold the mounting plate while the electrician installs it.

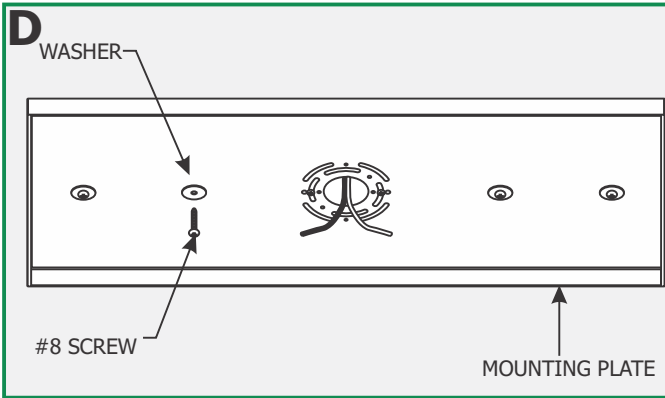
- 2:** Feed the power wires through mounting plate center hole.
- 3:** Align the mounting plate slots with the electrical box holes and secure it to the electrical box holes with the provided two #8-32 screws.



- 4:** Tap the anchors through the mounting plate holes onto the marked point up to the threaded portion with a hammer.

- 5:** Screw in the threaded portion of the anchors with a Phillips screwdriver.

NOTE: All 4 anchors must be installed to balance the pendants weight.



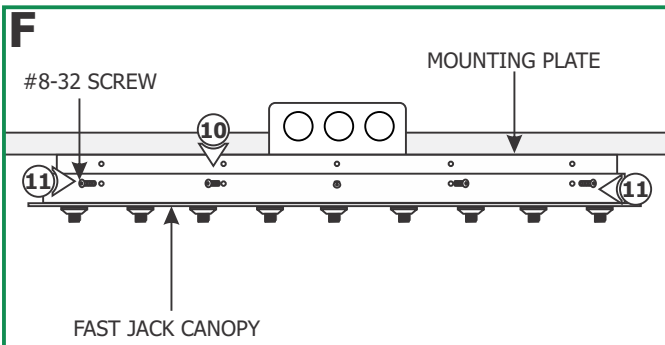
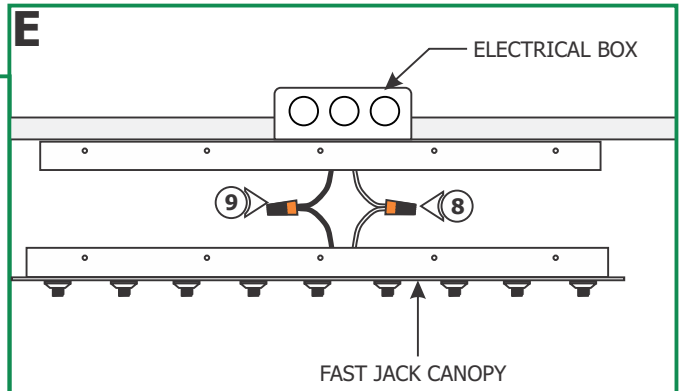
6: Secure the mounting plate to the anchors with the provided #8 screws and washers.

7: Make sure that the mounting plate is grounded in accordance with local electrical codes.

NOTE: Make sure a person holds the Fast Jack canopy while the electrician connects the wires and completes the installation.

8: Connect the Fast Jack white canopy wire to the neutral power wire with a wire nut.

9: Connect the Fast Jack black canopy wire to the hot power wire with a wire nut.



10: Place all wires and wire nut connections inside the canopy.

11: Place the canopy onto the mounting plate and tighten the fourteen #8-32 screws.

CAUTION: Maximum load of each port is **20** watt. Use only fixtures that are rated 20 Watt or less, or relamp each fixture with a **Maximum 20** watt lamp.

12: Use fingers to tighten each Fast Jack fixture connector into one Fast Jack canopy port.

