



Installation Instructions For Genna LED 3.5 Wall Wash

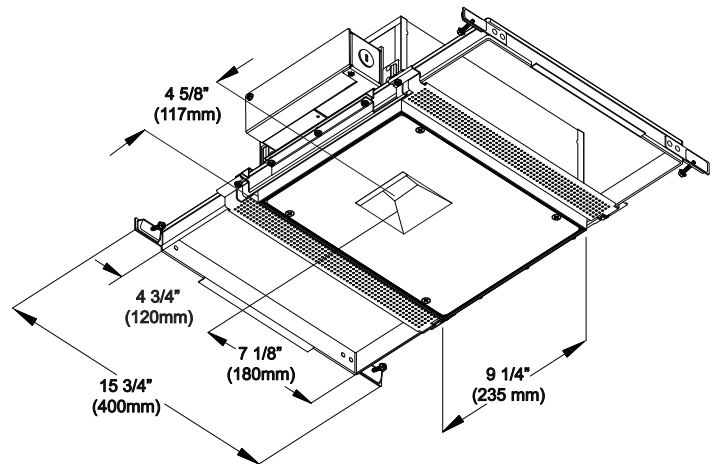
1718 W. Fullerton Ave
Chicago, IL 60614
Tel: 773-770-1195
Fax: 773-935-5613
www.purelighting.com
info@purelighting.com

© 2015 Pure Lighting. All Rights Reserved.

General Information

Fixture must be installed by a qualified electrician (check with local and national codes for proper installation). To prevent electrical shock, disconnect electrical supply before installation or servicing. Compatible only with traditional, level 5 surface finishing, not self-leveling, PVA primer systems. **Not for use in wood or tile ceilings.**

Housing and Plaster Plate



WORKFLOW CHART



ELECTRICAL CONTRACTOR

1. Locate and mount housing
2. Screw and lock-in housing
3. Connect wires in housing



DRYWALL CONTRACTOR

1. Install and cut drywall around housing.



ELECTRICAL CONTRACTOR

1. Adjust plaster flange frame and tighten wing nuts.
2. Screw plaster plate into housing.



DRYWALL CONTRACTOR

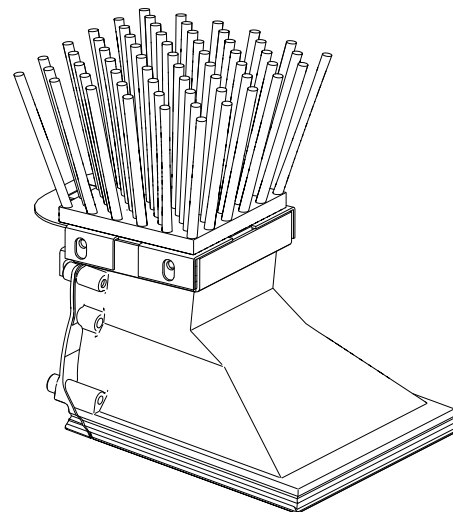
1. Plaster, sand & paint.
2. Clean aperture with clean damp towel.



ELECTRICAL CONTRACTOR

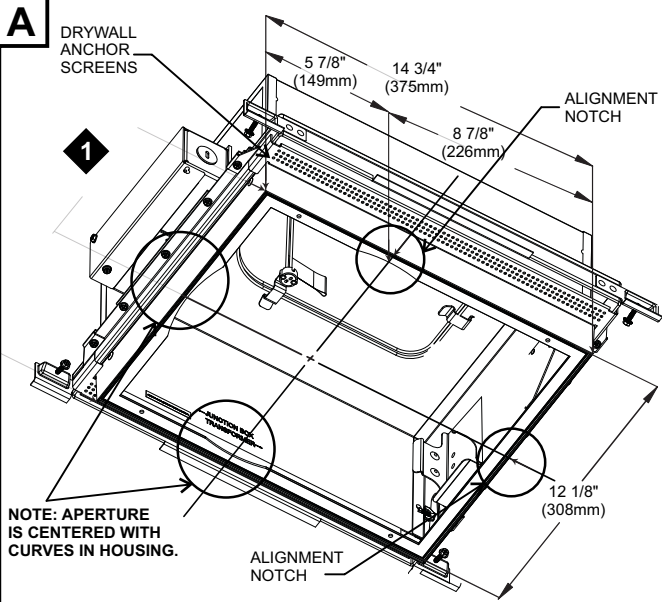
1. Clean aperture with clean damp towel, where the drywall contractor missed.
2. Connect LED module wiring to housing power supply.
3. Install trim to housing.

Genna Trim and LED Module



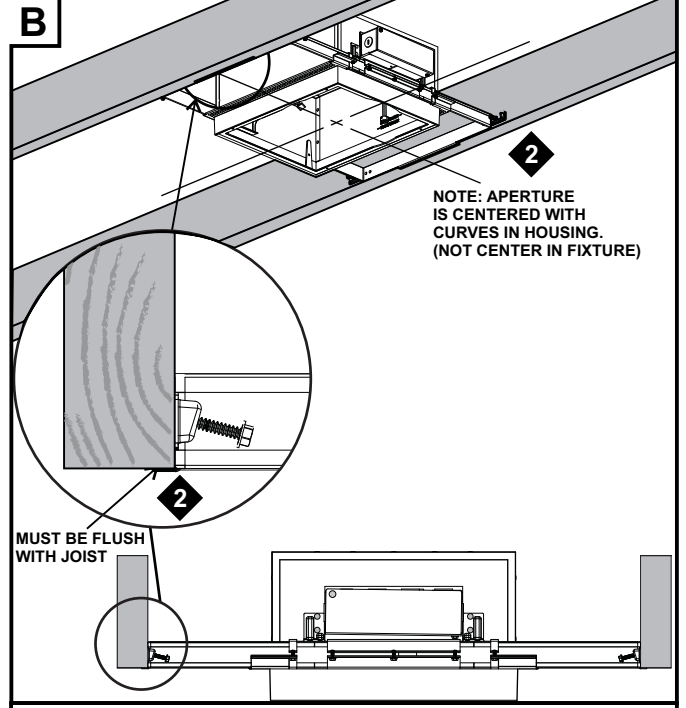


ELECTRICAL CONTRACTOR

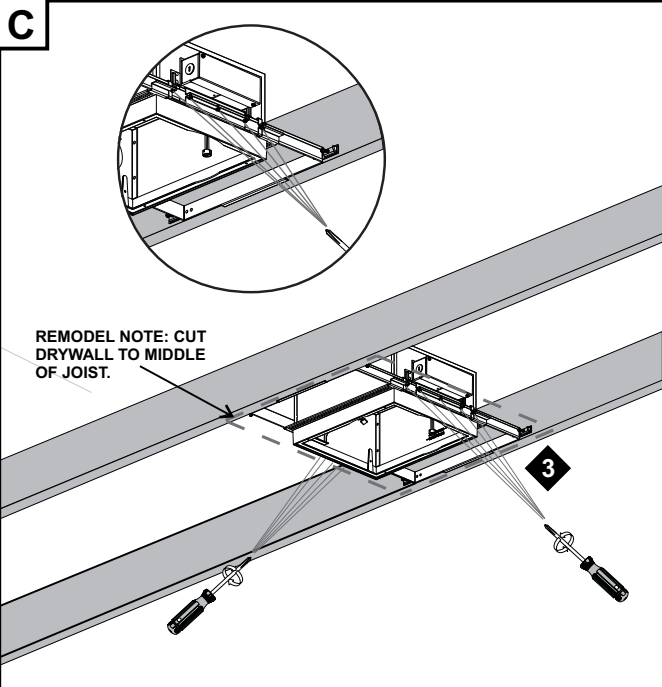


1: Use these dimensions when locating the center point of the aperture during the installation process. Align the fixture using a laser or a chalk line.

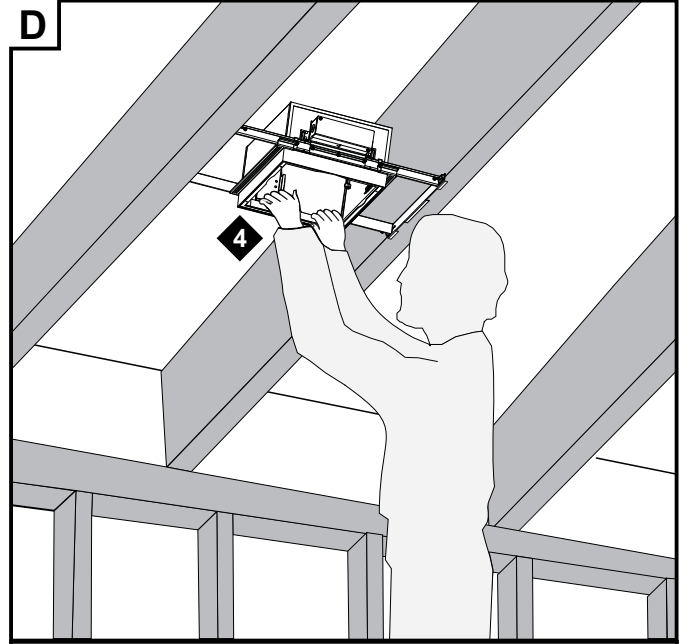
NOTE: Drywall anchor screens may be removed, if the joist are less than 14 1/2" apart. Refer to page 7 to shorten the hanger bars,



2: Hanger bars must align and remain flush with joist.



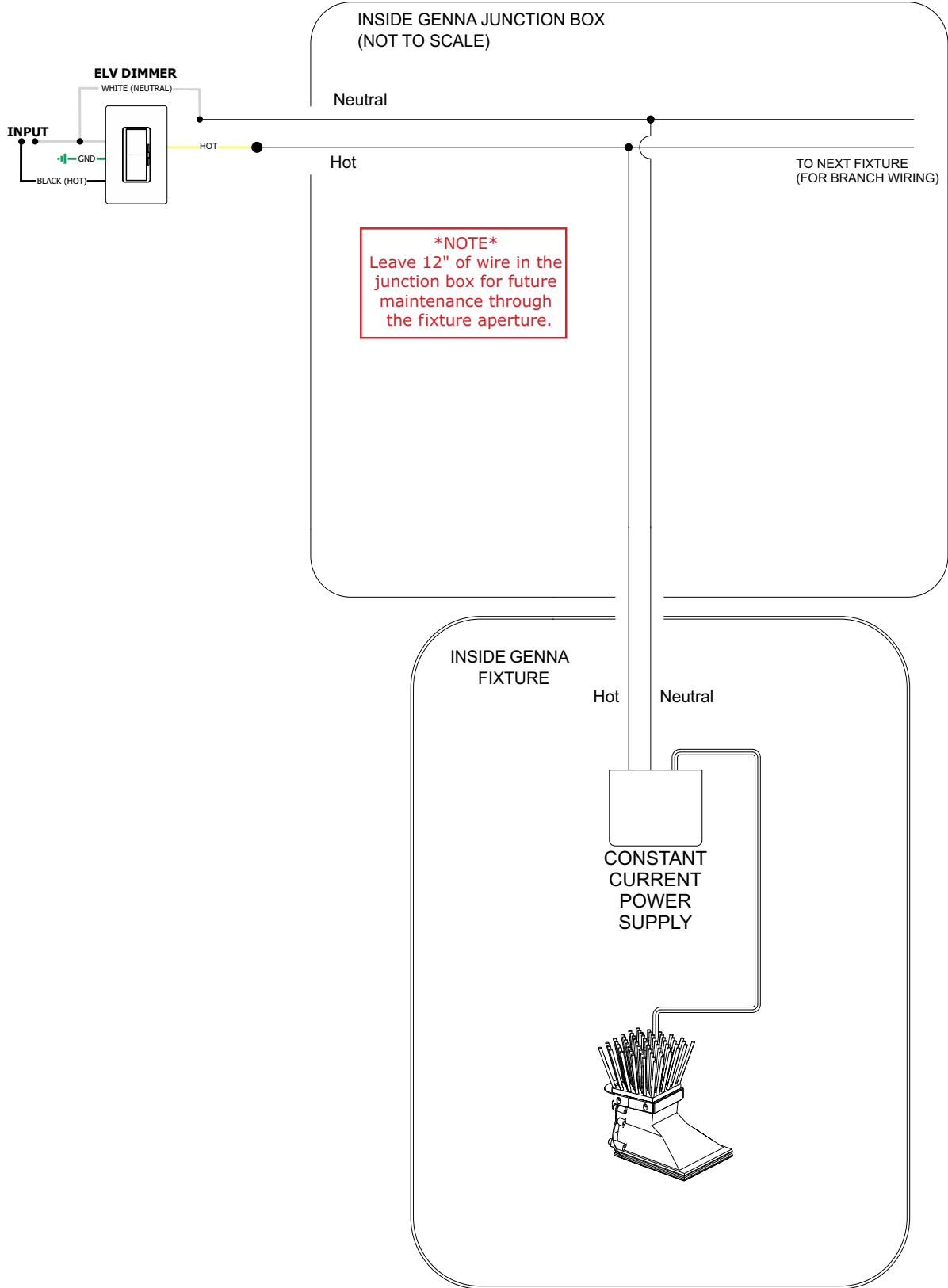
3: After fixture is positioned, tighten all (10) screws on hanger bars.



4: After installation, pull on fixture to ensure there is no movement.



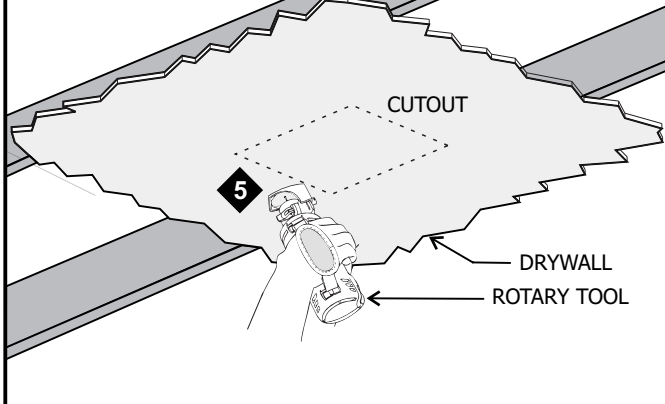
E



WIRING DIAGRAM
FOR USE WITH PURE LIGHTING® GENNA LED FIXTURES

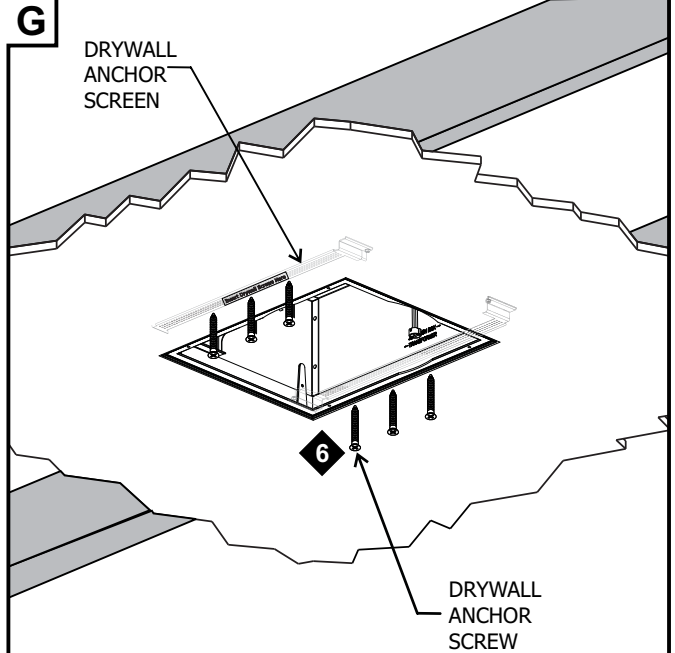
DRYWALL CONTRACTOR

F Contratista hojas de pared tiene que instalar la hoja de pared y corte un agujero 14 3/4" (375mm) X 12 1/8" (308mm) con una corte rotatorio alrededor el enseres fijo o lo corte un agujero antes que instalar.

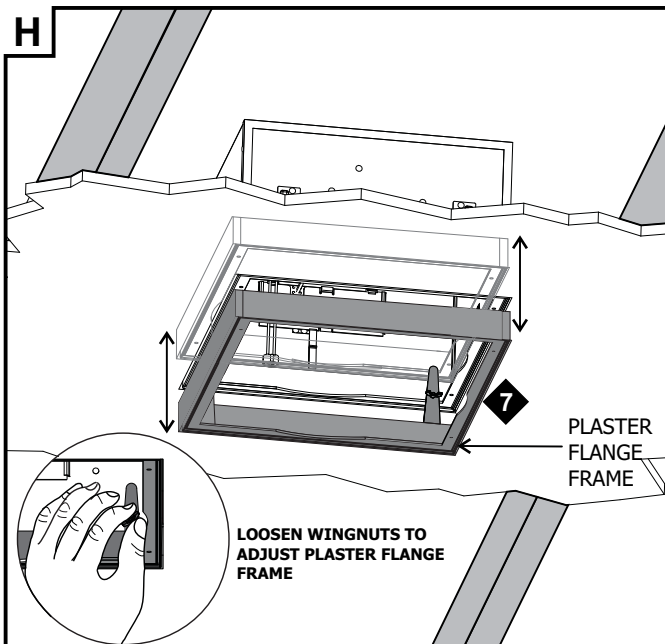


5: Drywall contractor must install drywall and cut 14 3/4" (375mm) X 12 1/8" (308mm) hole with rotary cutting tool around fixture or pre-cut hole in drywall prior to installation.

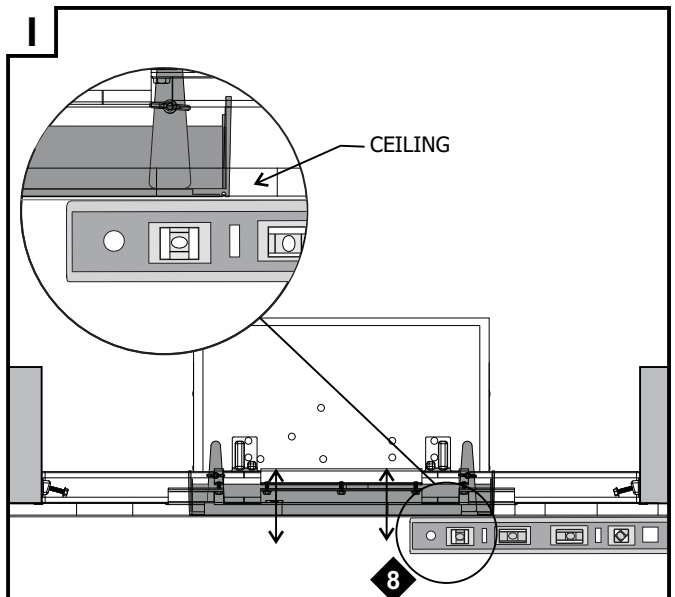
ELECTRICAL CONTRACTOR



6: Electrician must anchor drywall anchor screens. Insert screws through drywall into anchor screen on fixture.



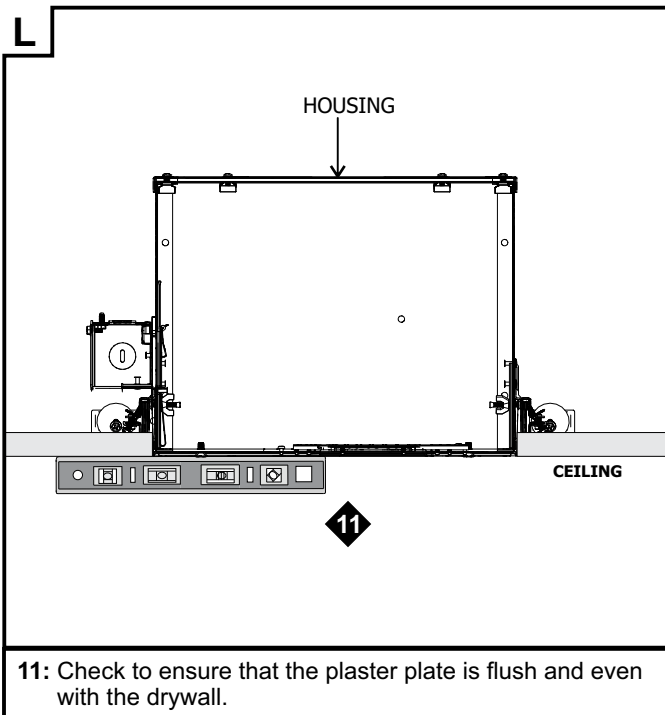
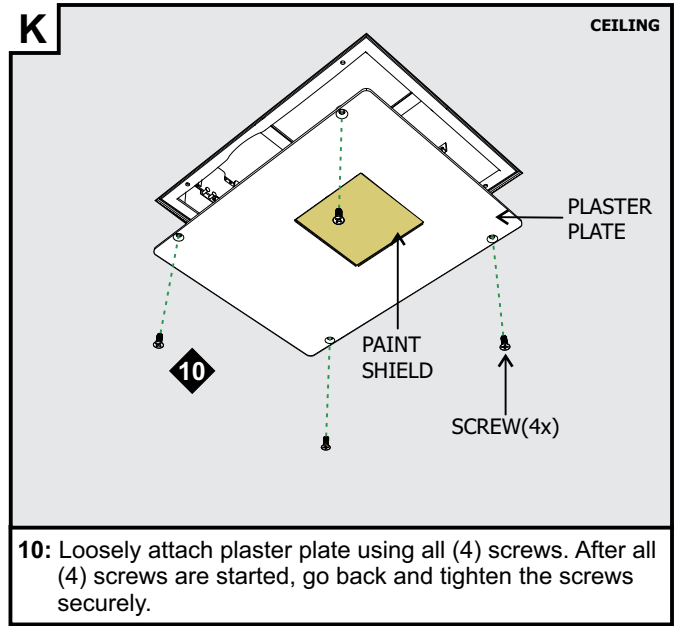
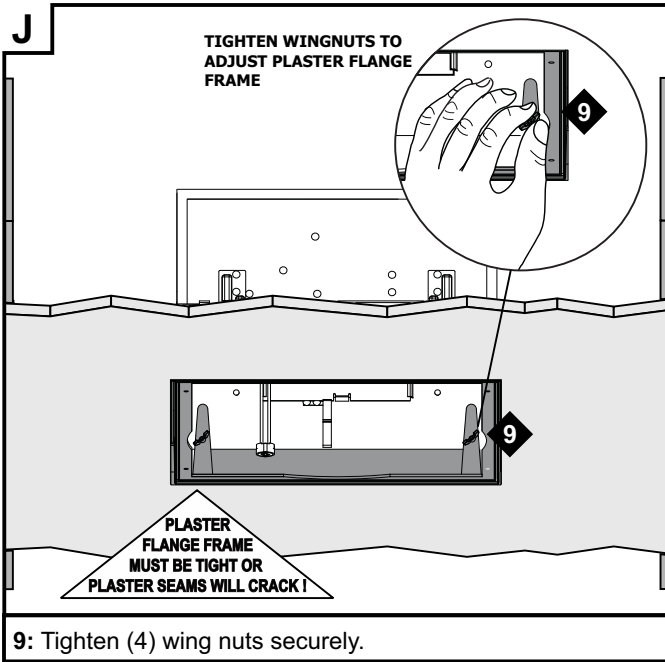
7: Loosen (4) wing nuts and adjust plaster flange frame to be flush with drywall. All 4 corners MUST be exactly even with drywall. Plaster flange frame adjusts to accommodate 1/2" (13mm) to 1 1/4" (32mm) ceiling thickness.



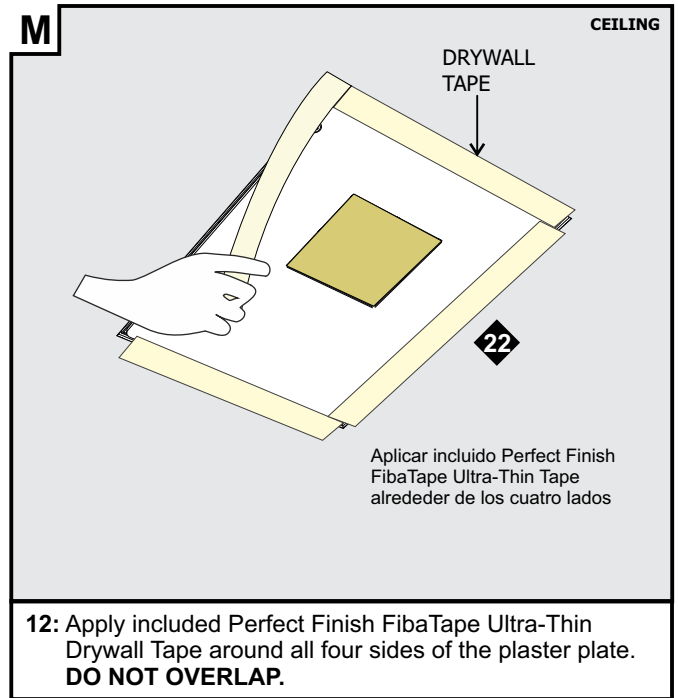
8: Use a straight edge or level and move plaster flange frame up or down to be exactly even with drywall ceiling.



ELECTRICAL CONTRACTOR



DRYWALL CONTRACTOR
 Compatible only with traditional, level 5 surface finishing, not self-leveling, PVA primer systems.



N CEILING

Aplique una capa delgada de Durabond 45 compuesto alrededor de todo cuatro lados de la placa de yeso

13: Apply a thin layer of Durabond 45 compound around all four sides of the plaster plate.

O CEILING

Aplique una capa delgada de Durabond 45 compuesto alrededor de todo cuatro lados de la placa de yeso

14: Sand plastered surface. Repeat as needed until surface is completely smooth before painting.

P CEILING

15: Paint and finish plaster plate and wall. Remove paint shield from plaster plate 20-60 minutes after painting.

16: Clean all excess paint from the aperture.

ELECTRICAL CONTRACTOR

Q CEILING

17: Connect the red wire from the LED power supply to the red wire of the LED module using a wire nut.

18: Connect the blue wire from the LED power supply to the black wire of the LED module using a wire nut.

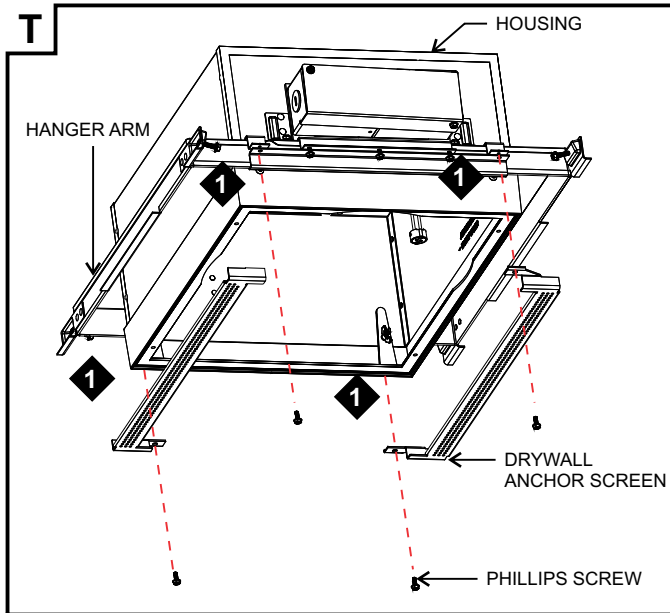
R

19: Place all electrical connections into the mounting box. Insert trim into plaster plate, tilt, and secure back edge. Push trim into plaster plate and ensure it snaps in and fits flush with the ceiling.

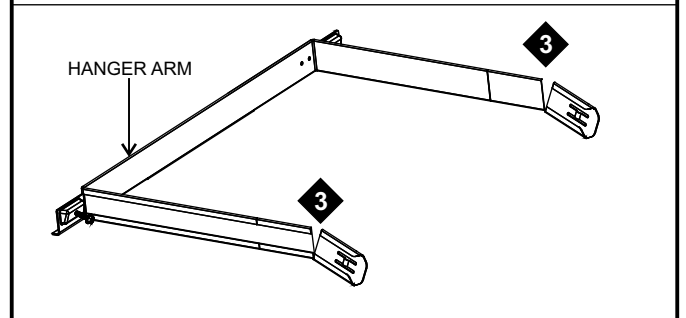
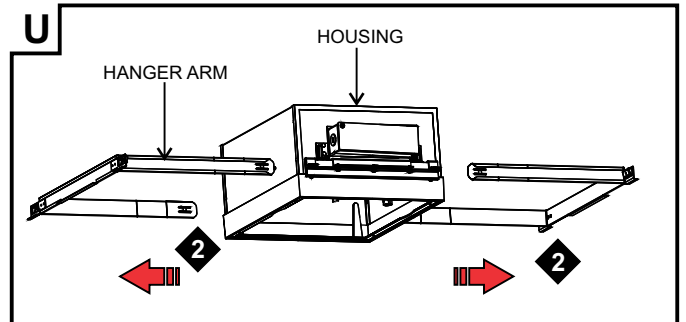
19

ENSURE TRIM IS FULLY SEATED IN HOUSING

SHORTENING THE HANGER BAR (ONLY FOR JOISTS SPACED LESS THAN 14.5")

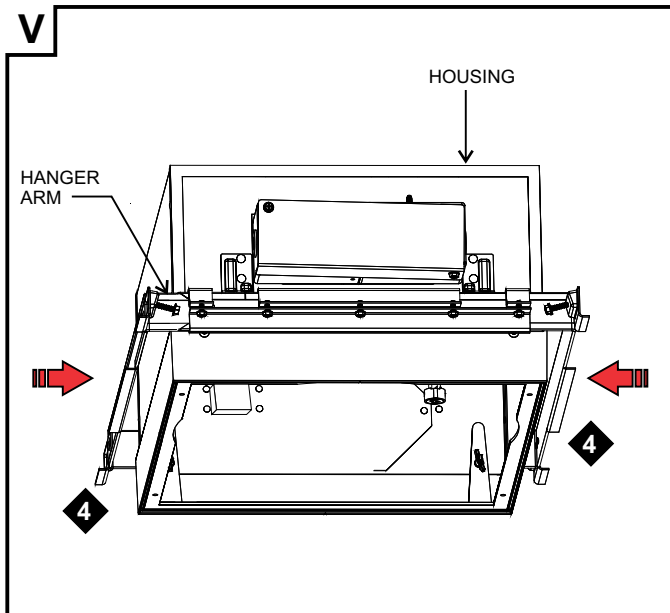


1: Remove the four Phillip screws on the housing to remove the two anchor screens, and put the screws back on.



2: Pull the hanger arms completely out of the housing.

3: Break the ends completely off hanger arms.



4: Insert the hanger arms back into the housing, and continue to step A on page 2 to complete installation.