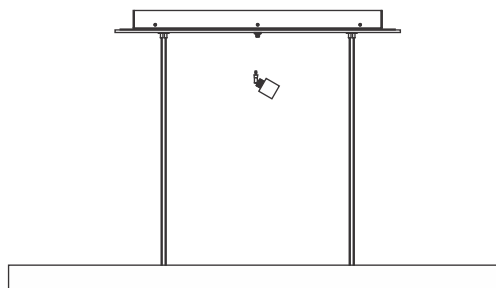


Installation Instructions for **Glide Up/Down - Center Feed**

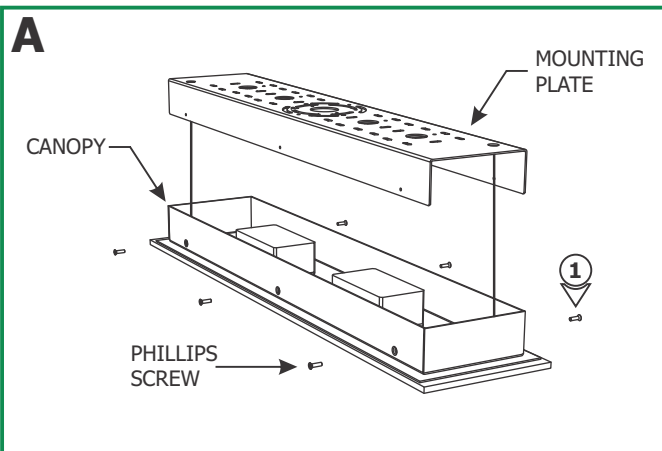
IMPORTANT INFORMATION

- This product is suitable for indoor locations.
- Care and Maintenance: To clean wood panels (if applies) dust them using a dry rag or use a very dry damp cloth with furniture cleaner.
- This instruction shows a typical instruction.
- Two additional aircraft cables are added for support when the fixture lengths are longer than 96 inches.

SAVE THESE INSTRUCTIONS!



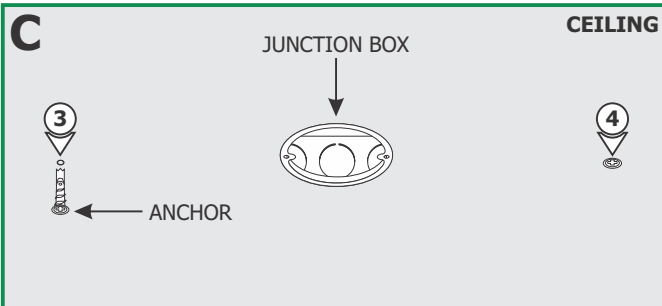
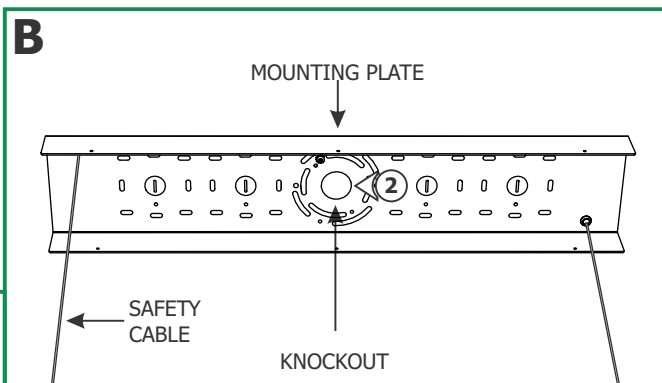
Section One: Install the Canopy



NOTE: It is recommended more than one person assist in this installation.

- 1:** Remove the six Phillips screws from the canopy to remove the mounting plate.

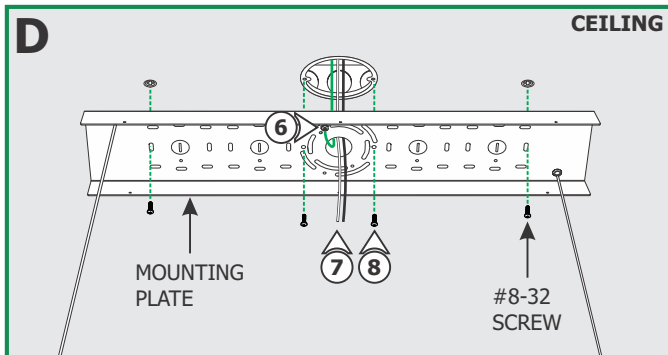
- 2:** Select the appropriate knockout on the mounting plate and remove it using a flathead screwdriver or other appropriate tool.



- 3:** Align the mounting plate holes with the junction box holes and mark one point on each side of the junction box through the mounting plate holes onto the ceiling. These points are used for the anchors.

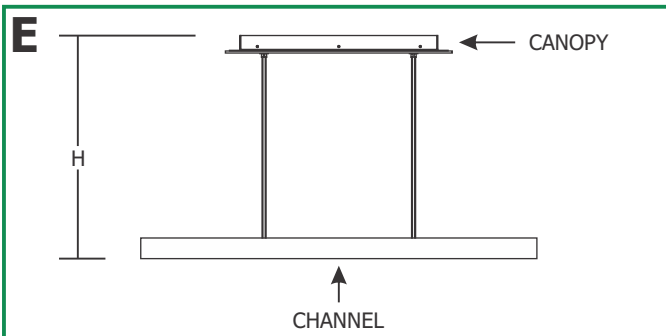
- 4:** Tap the anchors onto the marked points up to the threaded portion with a hammer.

- 5:** Screw in the threaded portion of the anchors with a Phillips screwdriver.

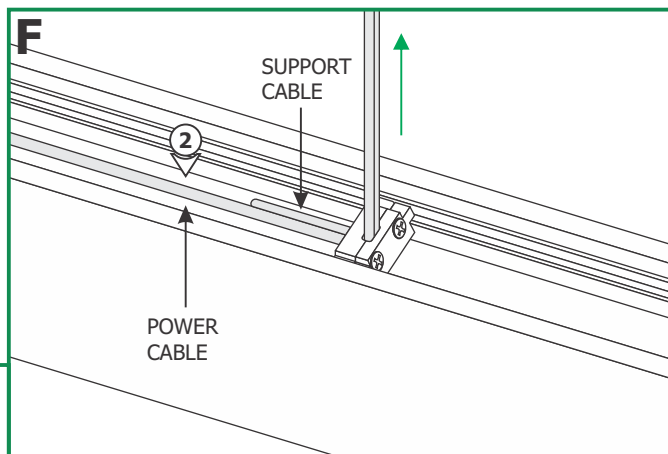


- 6:** Make sure the mounting plate is grounded in accordance with local electrical codes.
- 7:** Feed the 120VAC power wires through the mounting plate knockout.
- 8:** Secure the mounting plate to the junction box and anchors using #8-32 screws.

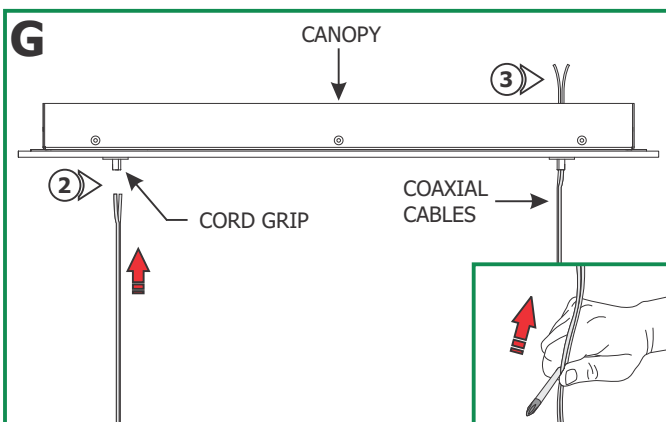
Section Two: Power the Fixture



- 1:** Determine the fixture height (H), from the bottom of the channel to the top of the canopy.

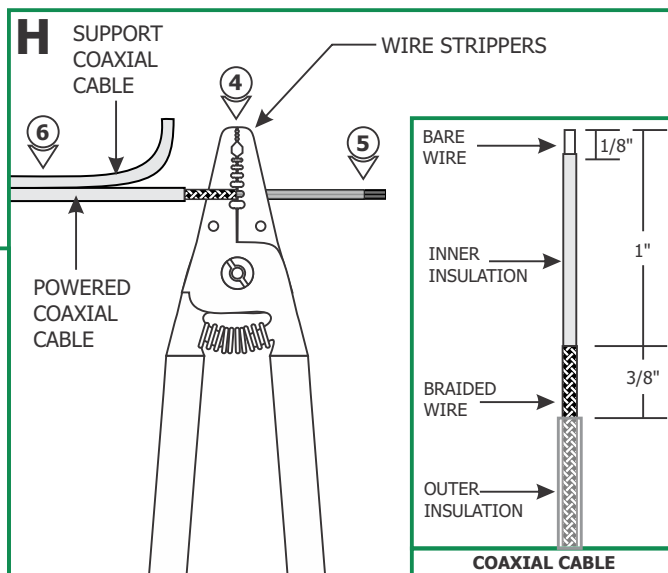


- 2:** Lift the cable up to the canopy. Note that the cable connected to the end cap is the powered cable. The other is used as support only.

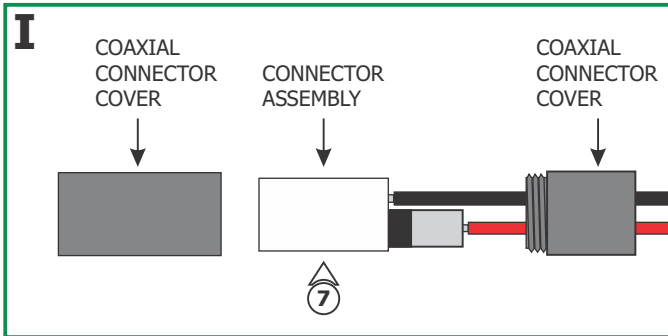


- 3:** Split the end of the cable and push each coaxial cable through each cord grip of the canopy.

NOTE: If cables are curled or kinked, straighten by holding between the shaft of a screwdriver and thumb and pulling the cables through.



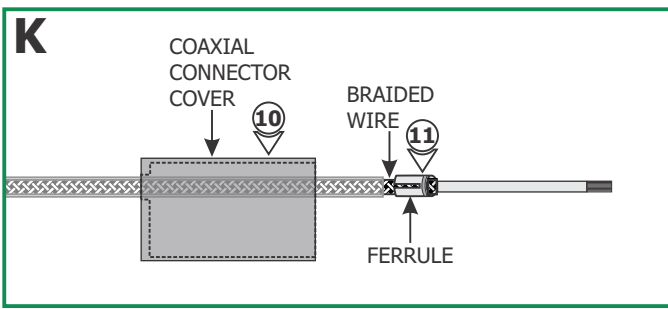
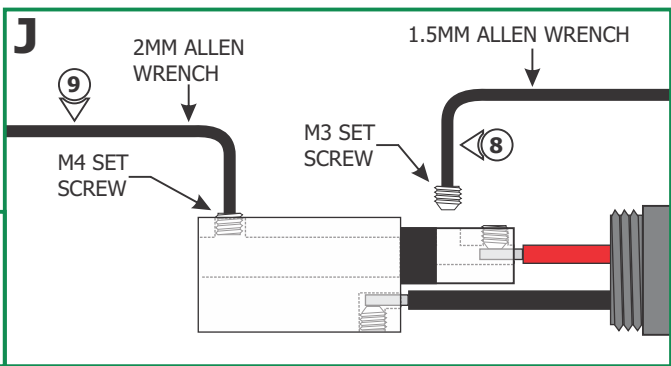
- 4:** Use the 18AWG hole of the wire stripper to remove 1-3/8" of the outer insulation to expose the braided wire of the powered cable of each set.
- 5:** Use the 18AWG hole of the wire stripper to remove 1" of the braided wire making sure not to nick the inner wire insulation of the powered cables.
- 6:** Use the 20AWG hole of the wire stripper to remove 1/8" of the inner insulated wire of the powered cables. The other cable of each set of coaxial cable is used as support only.



7: Unscrew the coaxial connector covers and remove from the connector assembly.

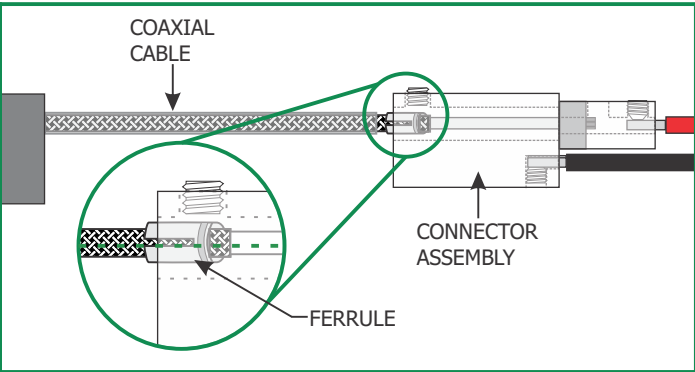
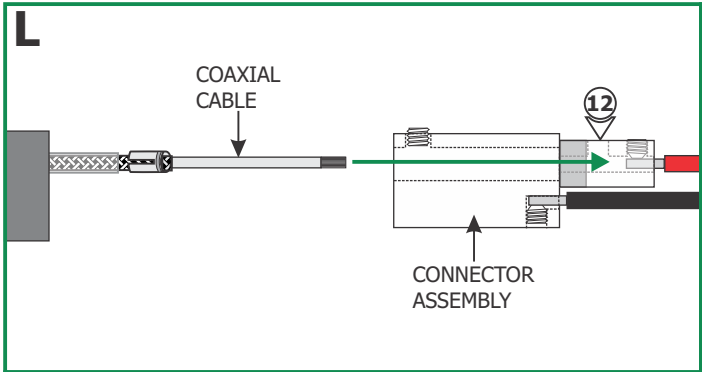
8: Using the provided 1.5mm Allen Wrench, remove the M3 set screw from the coaxial connector assembly.

9: Using the provided 2mm Allen wrench to loosen (do not remove) the M4 set screw.



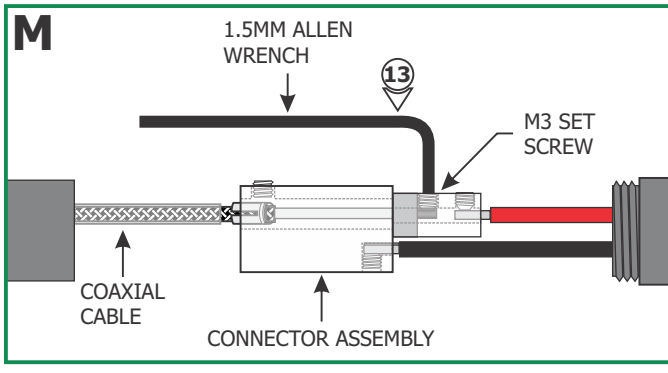
10: Slide the connector cover over the coaxial cable.

11: Place the ferrule over the 3/8" braided wire of the coaxial cable.



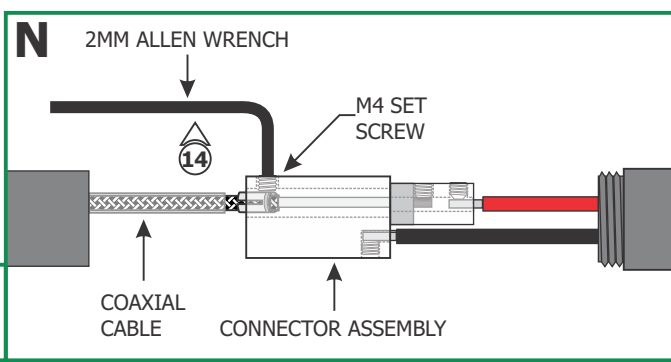
12: Insert the coaxial cable into the coaxial connector until the wires of the center conductor are visible through the M3 set screw hole.

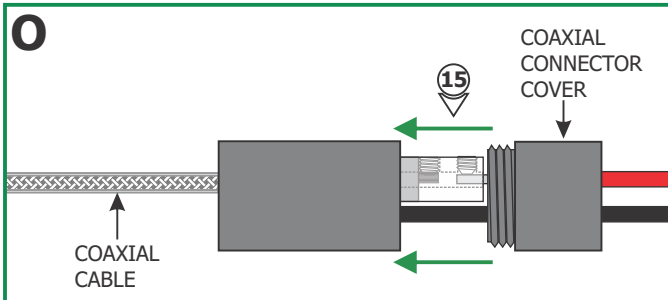
NOTE: Ensure that the split in the ferrule is aligned 90° from the M4 set screw (see inset).



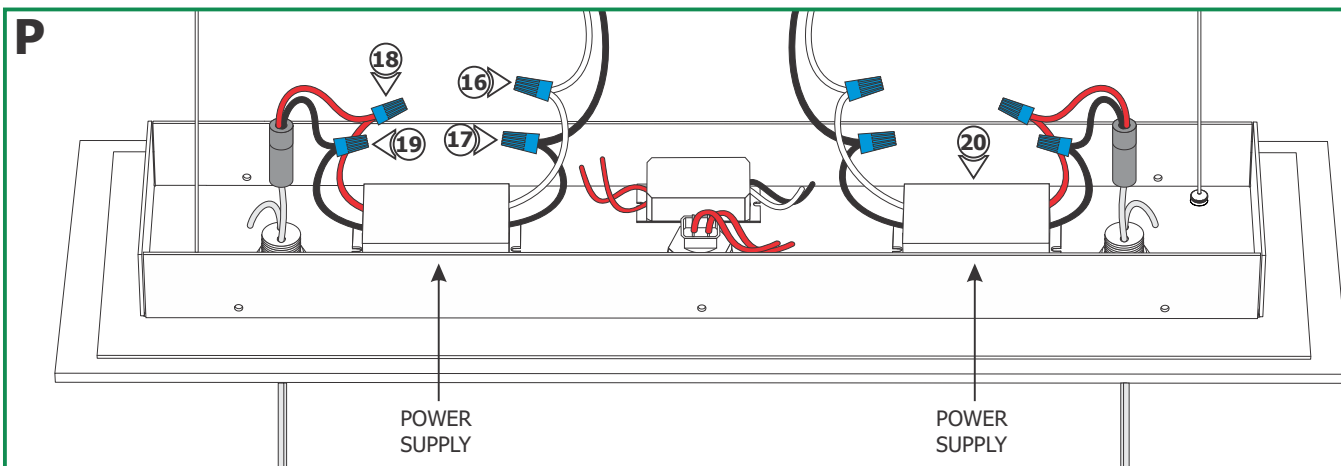
13: Use the provided 1.5mm Allen wrench to replace and securely tighten the M3 set screw.

14: Use the provided 2mm Allen wrench to securely tighten the M4 set screw until it squeezes the wire ferrule tightly to the coaxial cable.





15: Replace the coaxial connector cover and tighten into place.



NOTE: All 120VAC circuits **MUST** be the same phase.

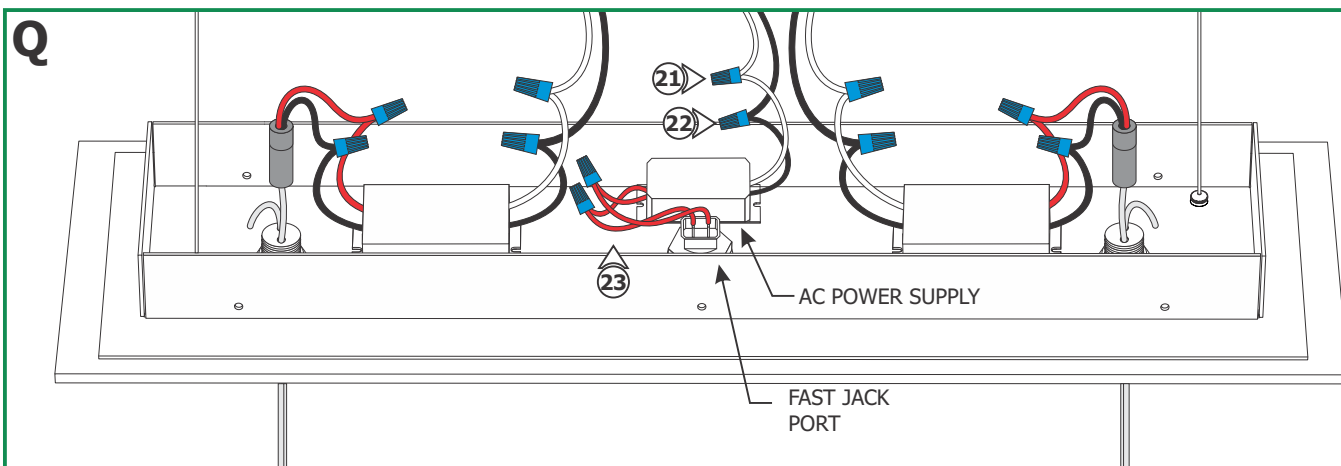
16: Connect the neutral wire from one 120 VAC circuit to the white wire of the desired power supply with a wire nut.

17: Connect the hot wire from the same 120 VAC circuit to the black wire of the desired power supply with a wire nut.

18: Connect the low voltage red wire from the power supply to the red wire of a coaxial power connector using a wire nut.

19: Connect the low voltage black wire from the power supply to the black wire of a coaxial power connector using a wire nut.

20: Repeat all power connections for second power supply and coaxial power connector.

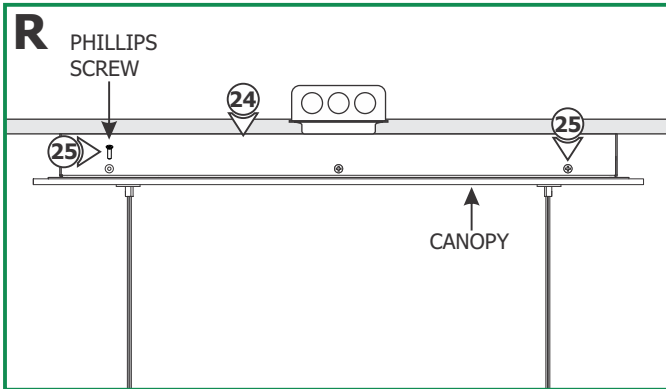


FOR MODELS CONFIGURED WITH FAST JACK PORT:

21: Connect the neutral wire from one 120 VAC circuit to the white wire of the AC power supply with a wire nut.

22: Connect the hot wire from the same 120 VAC circuit to the black wire of the AC power supply with a wire nut.

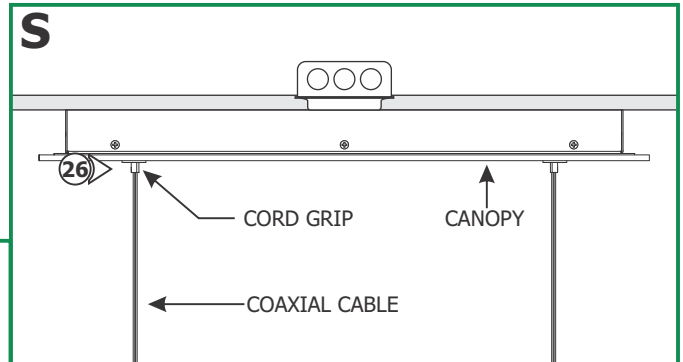
23: Connect each red 12VAC power wire from the power supply to one of the red wires of the Fast Jack connector using a wire nut.



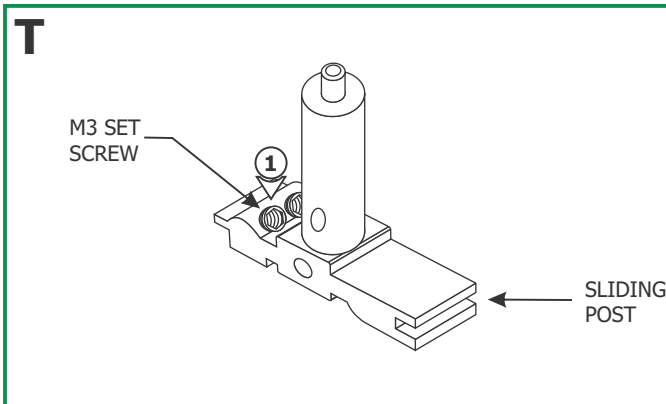
24: Place all the wires and wire nut connections inside the canopy.

25: Align and secure the canopy to the mounting plate by tightening the six Phillips head screws.

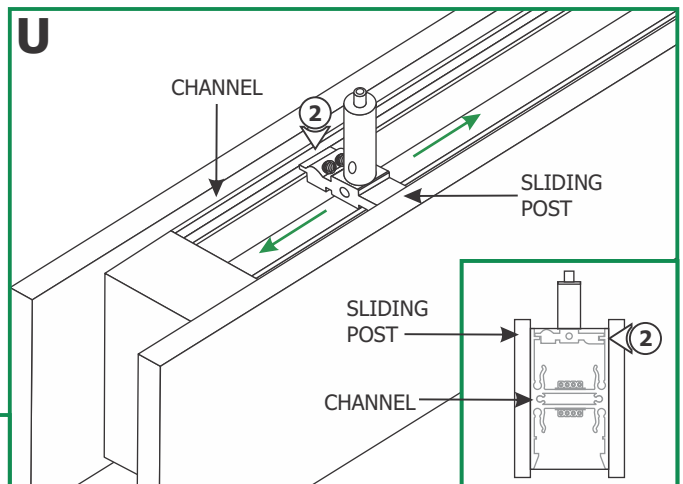
26: To make any adjustments to the fixture height, push the tabs on the cord grip to slide the fixture up and down until the desired height is achieved. Release the tab to lock the coaxial cable in place.



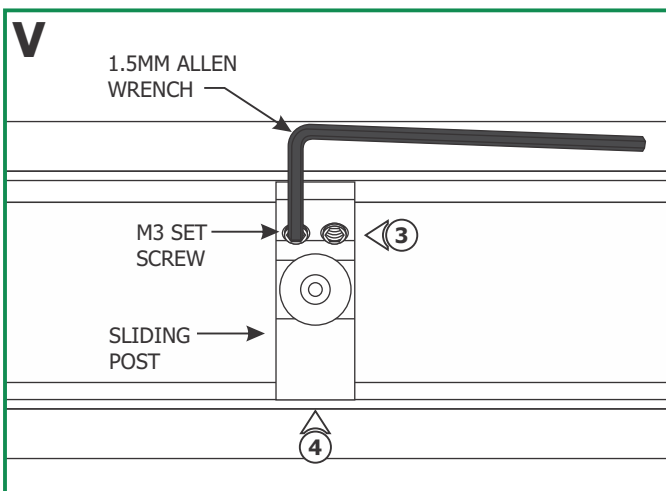
Section Three: Install Additional Support



1: Loosen (**Do Not Remove**) the two M3 set screws on the sliding post with a 1.5mm Allen wrench.

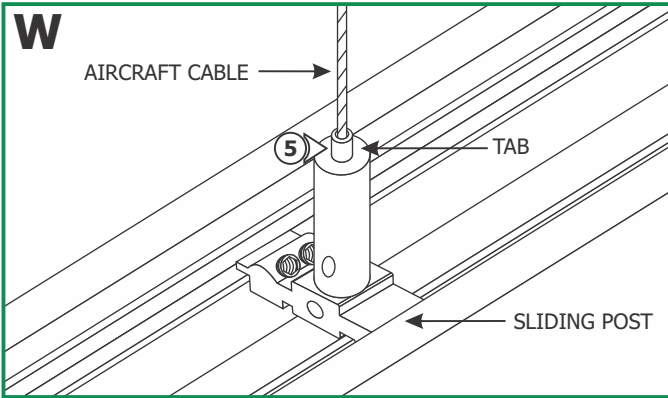


2: Place the sliding post onto the back of the channel. Adjust the position by moving the sliding post across the channel.



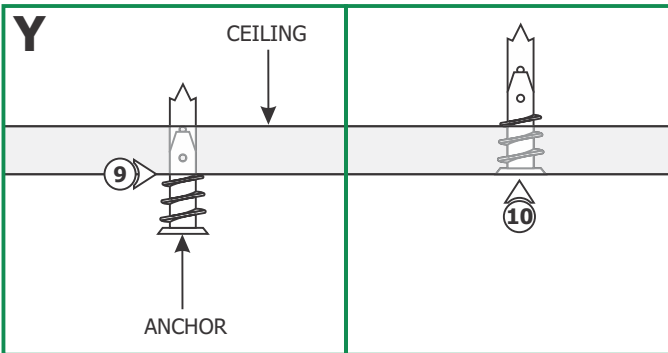
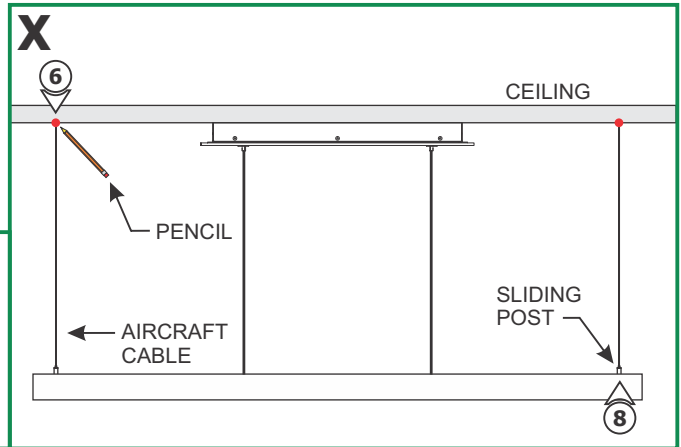
3: Tighten the two M3 set screws.

4: Repeat steps 1 through 3 for the other sliding post.



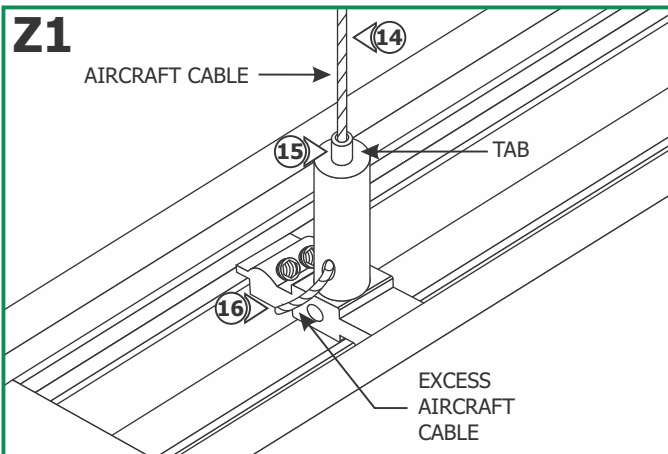
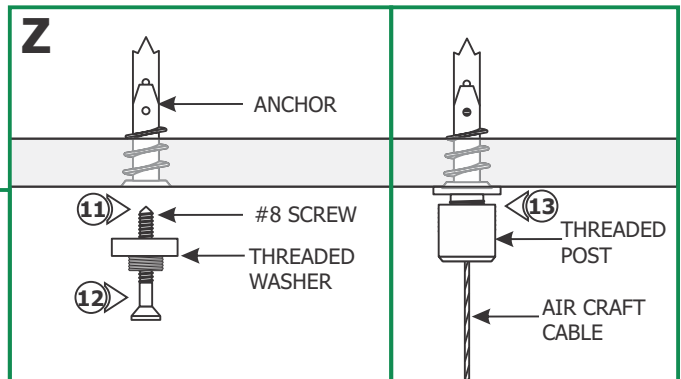
5: Insert the aircraft cable through the top of the tab on the sliding post.

- 6:** Lift the other end of the aircraft cable against the ceiling to mark the location of the standoff.
- 7:** Push the tab on the sliding post and remove the aircraft cable.
- 8:** Repeat steps 5 through 7 for the other sliding post.



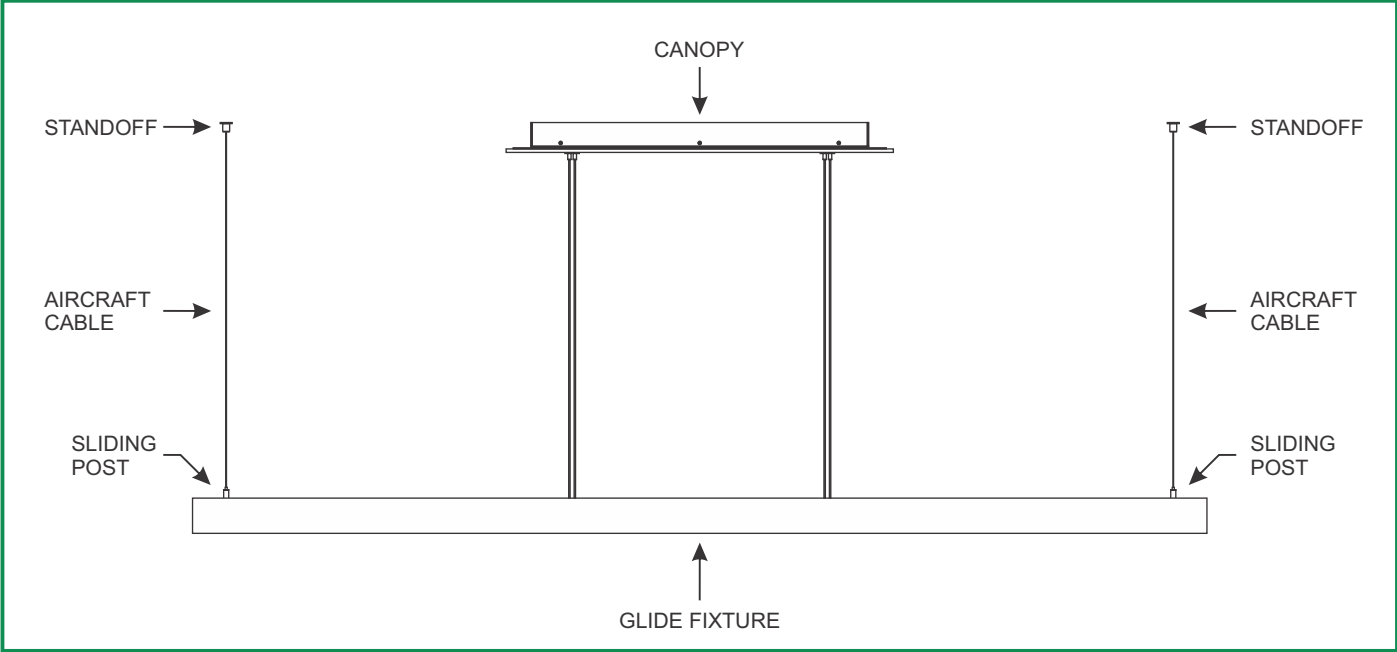
- 9:** For each standoff, tap the anchor onto the marked location up to the threaded portion with a hammer.
- 10:** Screw in the threaded portion of the anchors with a Phillips screw driver.

- 11:** Feed the #8 screw through the threaded washer.
- 12:** Tighten the #8 screw completely into the anchor.
- 13:** Feed the aircraft cable through the threaded post. Tighten the threaded post completely onto the threaded washer.



- 14:** For each standoff, insert the aircraft cable through the top of the tab on the sliding post.
- 15:** Adjust the height of the fixture by pushing the tab and pulling the aircraft cable out of the side of the sliding post. Release the tab to secure the cable in place.
- 16:** If necessary, trim excess aircraft cable using sharp cutters.

Glide Up/Down Center Feed



Wiring Diagram

