

## Installation Instructions for Grazie Suspension

### IMPORTANT SAFETY INSTRUCTIONS

To reduce the risk of fire, electrical shock, exposure to excessive UV radiation, or injury to persons:

- Turn power to junction box **OFF** before beginning any electrical work.
- Do not look directly at the lamp while the fixture is on.
- **RISK OF FIRE:** Use only the type of lamp and maximum wattage indicated in this instruction manual.
- Never turn the fixture on and off by connecting and disconnecting the halogen lamp.
- Do not touch the fixture head, shade or lamp shield while the fixture is on. These surfaces may be **VERY HOT**.

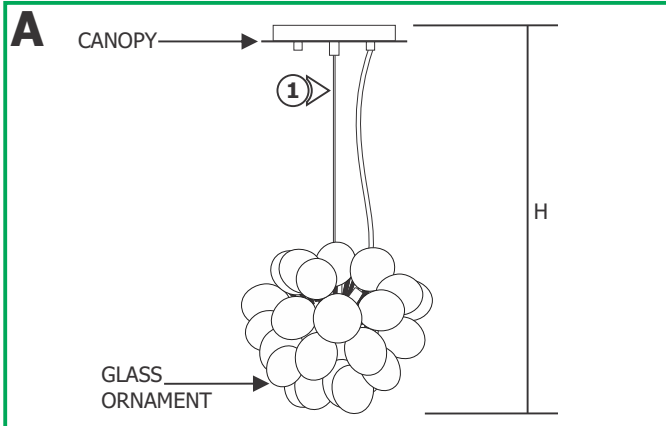
### IMPORTANT INFORMATION

- This product is suitable for indoor locations.
- This product can mount to either a 4" square electrical box with round plaster ring or an octagon electrical box.
- This product is dimmable with a standard incandescent dimmer.

**SAVE THESE INSTRUCTIONS!**



## Install Fixture

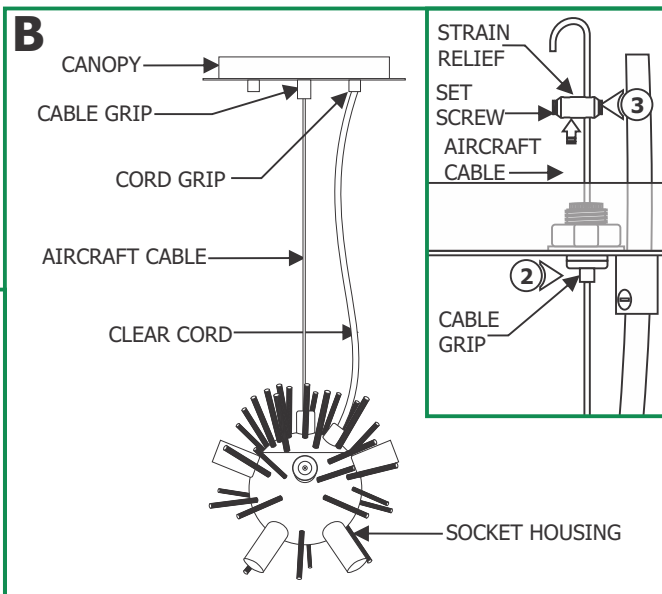


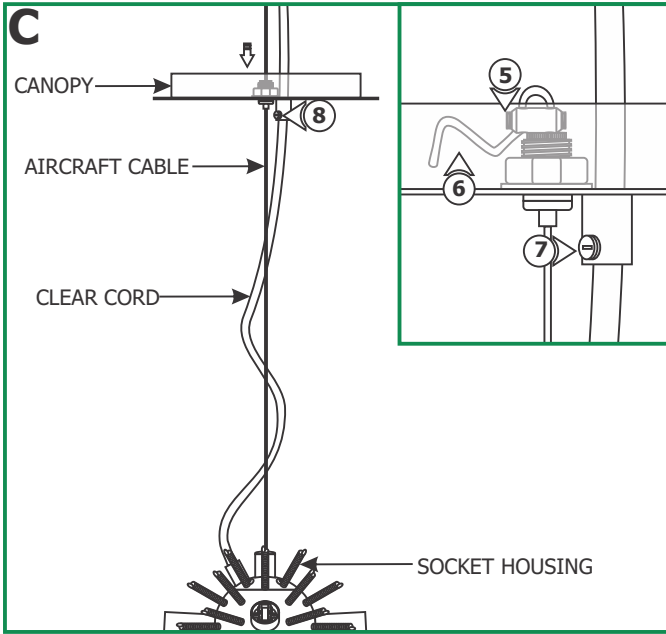
- 1:** Determine the desired fixture height (H), from the bottom of the glass ornaments to the top of the canopy.

- 2:** Slide the canopy up and down by pushing the tab on the aircraft cable grip until desired height is achieved. Release the tab to lock the aircraft cable in place.

- 3:** Loosen the M4 set screws on both sides of the strain relief with the 2mm Allen wrench.

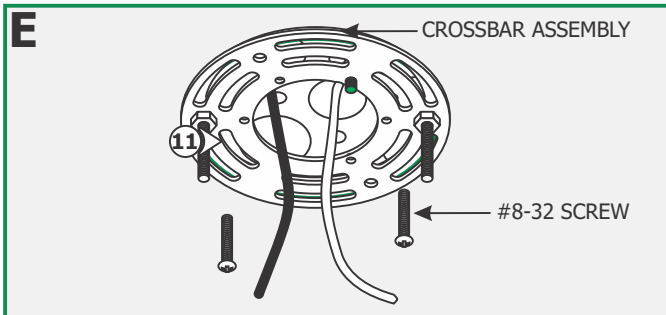
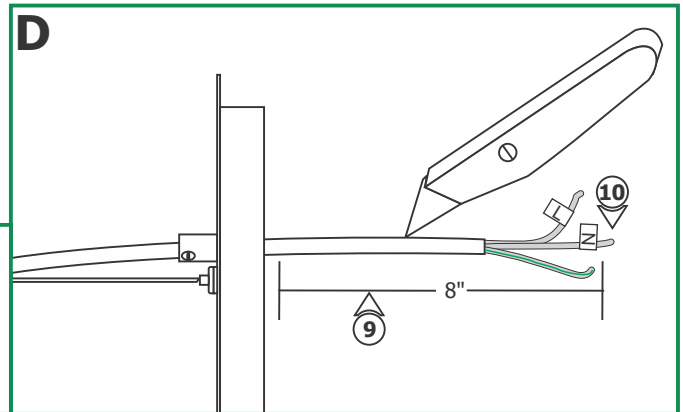
- 4:** Pull the end of the aircraft cable out of one strain relief hole. Slide the strain relief down the aircraft cable behind the cable grip.





- 5:** Loop the end of the aircraft cable into the other strain relief hole and tighten the two M4 set screws with the 2mm Allen wrench.
- 6:** Trim off excess aircraft cable behind the strain reliefs with a sharp cutter.
- 7:** Loosen the slotted set screw on the cord grip with a flat screwdriver and push the excess clear cord into the canopy.
- 8:** Tighten the slotted set screw on the cord grip to lock the clear cord in place.

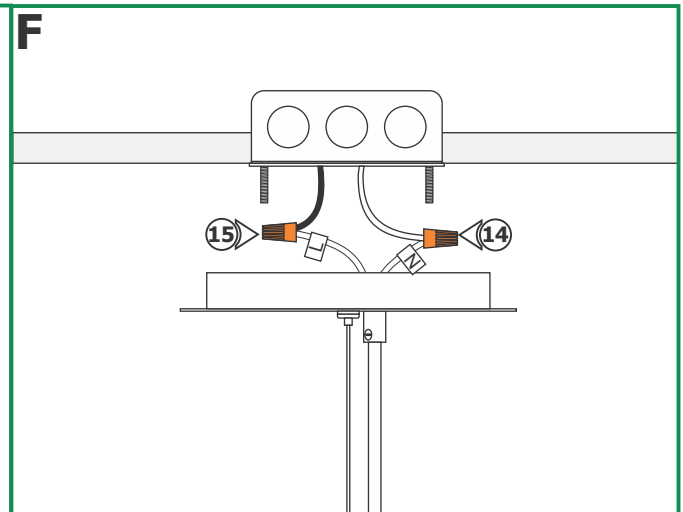
- 9:** Leave 8" of the clear cord exposed behind the canopy for power connection. Trim off the excess clear cord.
- 10:** From the end of the clear cord, strip 4" of the outer insulation using a sharp knife. Make sure not to nick the inner wires. Trim off the cut out insulation.

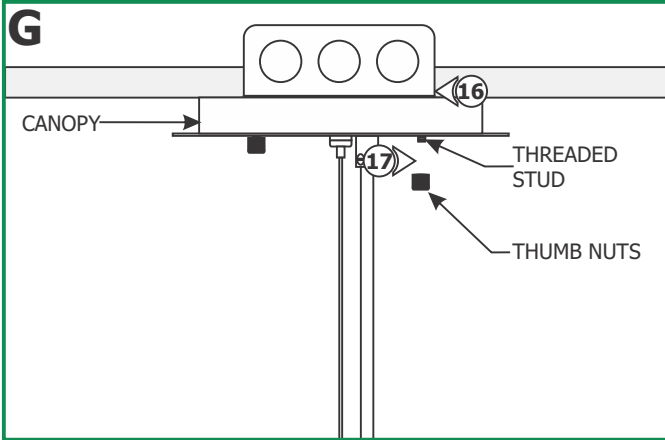


- 11:** Mount the crossbar assembly to the electrical box holes with the two #8-32 screws provided.

**WARNING! RISK OF FIRE!** Aircraft cable is to support the fixture and should not come in contact with ground or power wires.  
**NOTE:** It is recommended a more than one person install the fixture.

- 12:** Turn power to junction box **OFF** before beginning any electrical work.
- 13:** Make sure that the canopy is grounded in accordance with local electrical codes.
- 14:** Connect the wire labeled "N" to the neutral power wire with a wire nut.
- 15:** Connect the wire labeled "L" to the hot power wire with a wire nut.

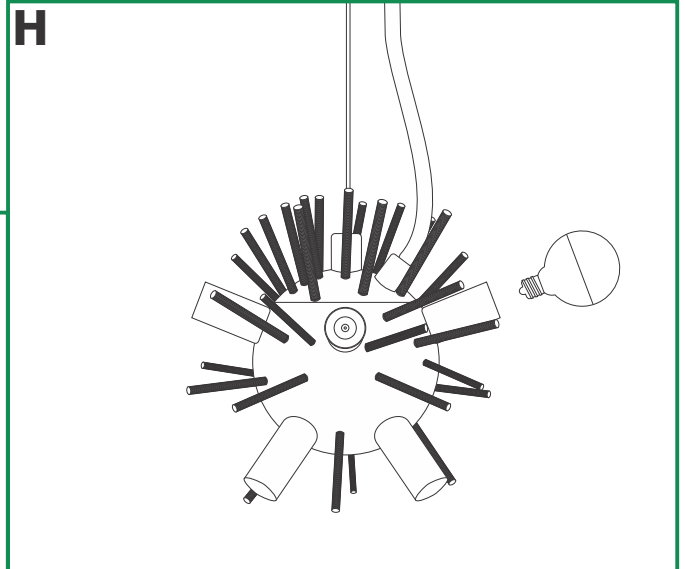




**16:** Place all wires and wire nut connections inside the canopy.

**17:** Align and slide the canopy holes onto the threaded studs. While holding the canopy, tighten the two thumb nuts to secure the canopy in place.

## Install the Lamps & Glass Ornaments

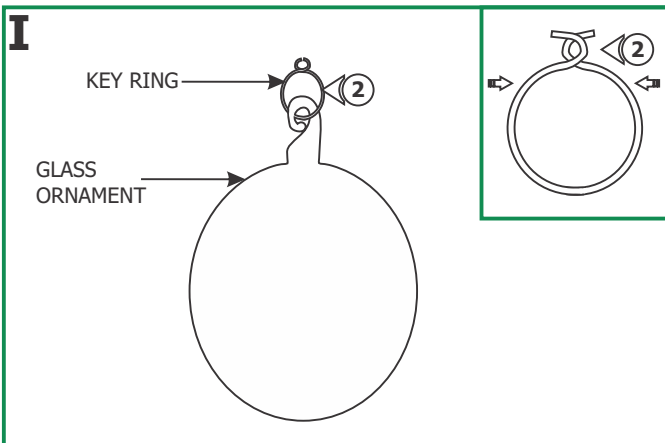


**CAUTION:** To reduce risk of a burn or electrical shock during lamping, disconnect the power to the fixture.

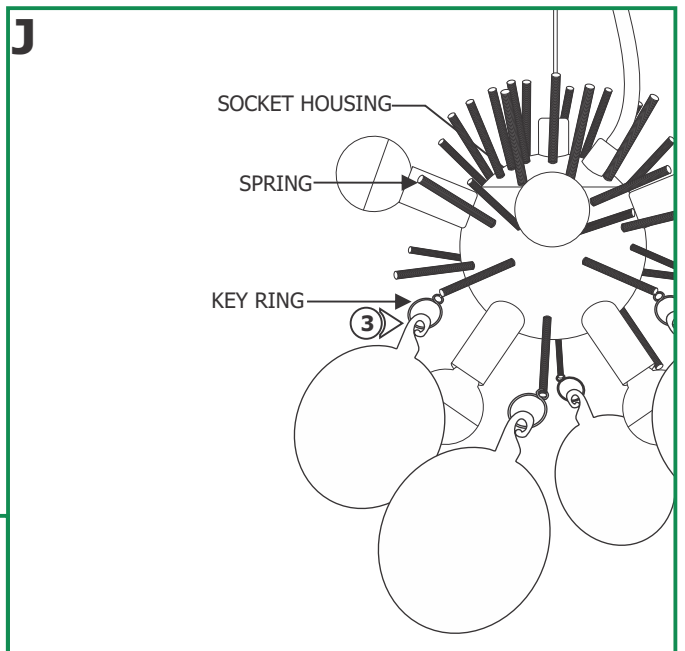
Use **MAX** 25 Watts, Type G16.5, E12 candelabra base, half chrome lamp for four top sockets.

Use **MAX** 25 Watts, Type G16.5, E12 candelabra base, clear lamp for bottom sockets.

**1:** For each socket, screw the lamp base completely into the socket.



**2:** Squeeze the key ring to open the ends. Slide one end through a glass ornament.



**3:** Squeeze the key ring to open the ends and slide one end into a socket housing spring.

**4:** Repeat steps 2 and 3 for the remaining glass ornaments.