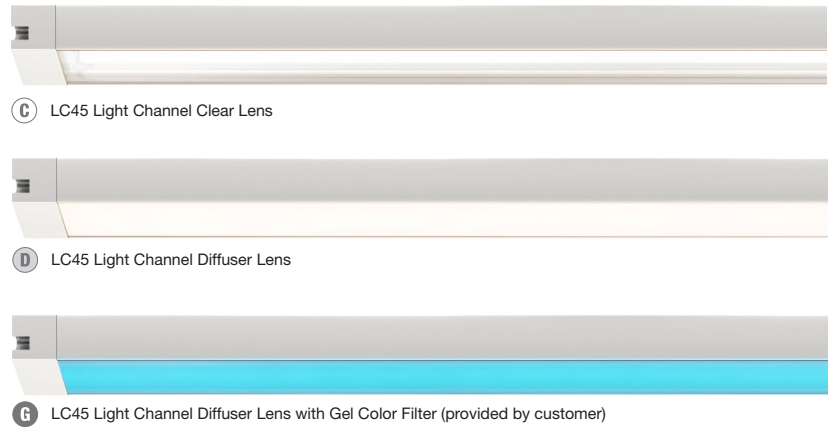
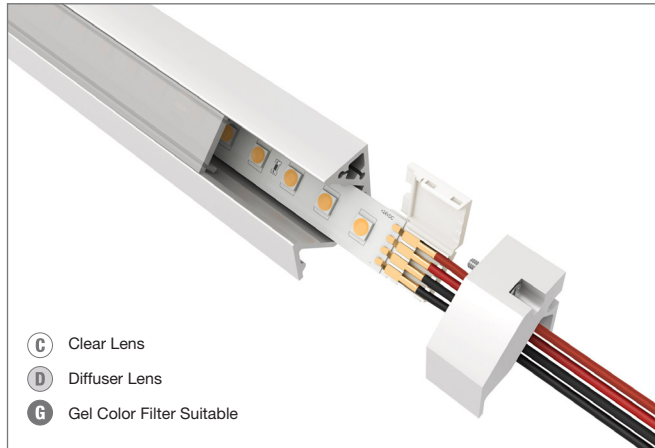


LIGHT CHANNEL 45° DIY SURFACE MOUNT

24VDC LED DO-IT-YOURSELF DYNAMIC WHITE/TUNABLE WHITE, WARM DIM, RGB

DESIGNED BY GREGORY KAY | ASSEMBLED IN AMERICA

REV 02.11.20



FEATURES & BENEFITS

- Cut and assemble in field
- Snap & Light Solderless Connections reduce labor during installation
- 24VDC LED Soft Strip offers excellent color-rendering inside a slim, paintable aluminum extrusion
- 5oz of copper provides better heat dissipation, less voltage drop.
- Surface mount channel is sold in 2, 4, 5, 8, and 10 foot increments
- **Warm Dim Dim-To-Warm: (30D)** dims from 3000K to 2000K, **(27D)** dims from 2700K to 2000K. 5 watt only.
- **Dynamic Tunable White:** 2000K to 4000K Variable White Dynamic Tunable Lighting. Human Centric Lighting 5 watt only.
- **Static White Options:** Wattage 2.5W | 5W | 7.5W Kelvin Range 2000K-5700K
- **Dynamic Color:** RGB 5W only.
- **Static Color:** Amber **(AAA)**, Green **(GGG)**, Blue **(BBB)**, RED **(RRR)**

LENS & LOUVERS

- **(D)** Diffuser Lens, **(DW)** Diffused Lens with White Louver, **(DB)** Diffused Lens with Black Louver. Projects Dot-Free clean line of LED light.
- **(C)** Clear Lens, **(CW)** Clear Lens with White Louver, **(CB)** Diffused Lens with Black Louver. **LEDS WILL SHOW.**
- Gel Diffused Lens provided by the customer please visit www.leefilters.com for more information.
- 5 year prorated warranty included

APPLICATIONS

- Provides maximum light levels for task and general illumination
- Indoor only - Under/above cabinet, cove, and retail

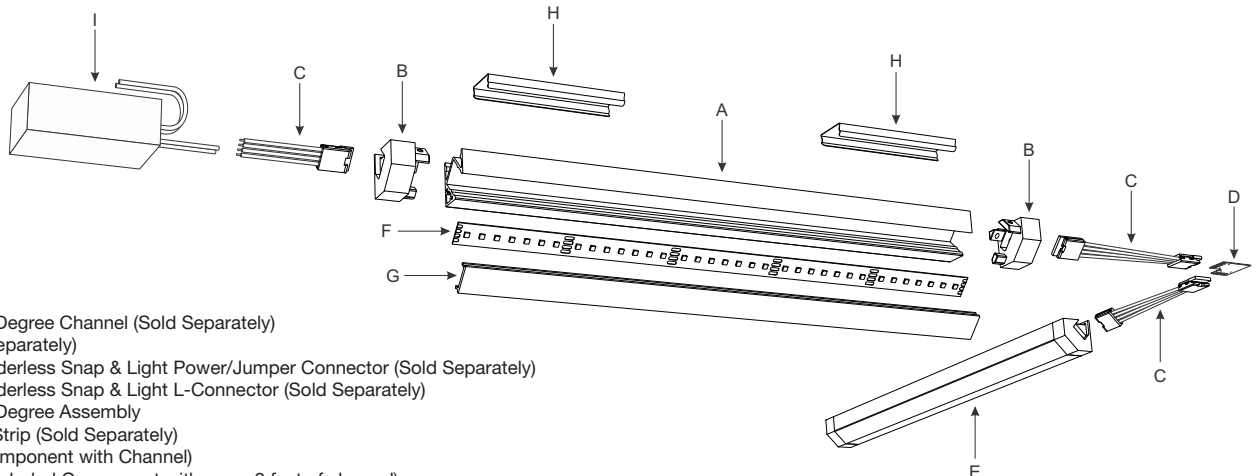
REQUIRED COMPONENTS

- Light Channel 45° Surface Mount and Lens (Mounting Clips included)
- End Caps (sold in pairs)
- 24VDC Light Channel Solderless Snap & Light Power/Jumper Connector
- 24VDC LED Soft Strip

REMOTE POWER SUPPLIES, DIMMERS & CONTROLS* (SOLD SEPARATELY)

- Universal Power Supplies (Triac, ELV, 0-10V)
 - Electronic Low Voltage Dimming (ELV)
 - Dynamic Color Changing (DMX)
 - Lutron Hi-Lume®
 - Low voltage up to 100 watt, Class 2 wiring, no need for conduit pipe
 - 50-watt power supply fits in J Box (PSB-60L-ELV-24VDC)
 - Class 2 wiring up to 100 watts. No need for conduit pipe.
- *In-Wall Mounting Kits available for select power supplies. **Form Factor Power Supply Fits Within included J-BOX:** 50 Watt IC Rated PS-60L-ELV-24VDC ELV Power Supply.

Light Channel 45° DIY System Overview



- A) Light Channel 45 Degree Channel (Sold Separately)
- B) End Caps (Sold Separately)
- C) Light Channel Solderless Snap & Light Power/Jumper Connector (Sold Separately)
- D) Light Channel Solderless Snap & Light L-Connector (Sold Separately)
- E) Light Channel 45 Degree Assembly
- F) 24VDC LED Soft Strip (Sold Separately)
- G) Lens (Included Component with Channel)
- H) Mounting Clips (Included Component with every 2 feet of channel)
- I) Remote Power Supply (PSB-60L-ELV-24VDC shown), (Sold Separately)

PROJECT	FIXTURE TYPE	DATE
---------	--------------	------

LIGHT CHANNEL 45° DIY SURFACE MOUNT

24VDC LED DO-IT-YOURSELF DYNAMIC WHITE/TUNABLE WHITE, WARM DIM, RGB

REV 02.11.20

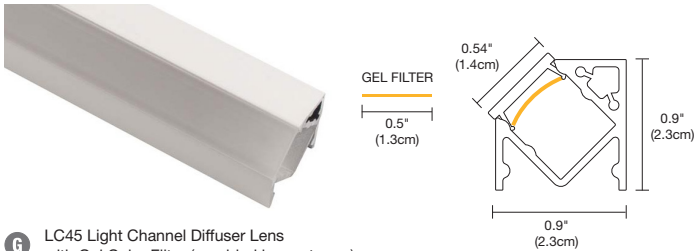
REQUIRED COMPONENTS: Select Light Channel 45° Surface Mount option, End Caps and Power Connector based on lighting design.



C LC45 Light Channel Clear Lens



D LC45 Light Channel Diffuser Lens




G LC45 Light Channel Diffuser Lens with Gel Color Filter (provided by customer)


Light Channel 45° Surface Mount

Start the ordering process by selecting the desired aluminum channel length (3 finish options) and lens option. Then order the LED Soft Strip (fits inside channel), End Caps, Power Feed Joiner, and Jumper. The channel and lens may be cut in the field, and may be joined together using the Light Channel Snap & Light Solderless Jumper/Power Connector. Mounting Clips are included with every 2 feet of channel, and also be ordered separately as replacement parts. The Diffuser Lens projects clean lines of light, eliminating LED dots. The Clear Lens provides maximum light levels and will show LED dots. Both the Clear and Diffuser Lens are Gel Color Filter Suitable allowing for color personalization. Zircon LED Gel filters are recommended and can be purchased from the dealer www.leefilters.com. Gel filter life is 5,000 hours before needing to be changed.

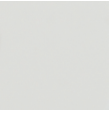
System	Length in Feet	Lens	Finish
LC45	10FT	D	SA
LC45 Light Channel 45 Degree	2FT 2 Feet 4FT 4 Feet 5FT 5 Feet 8FT 8 Feet 10FT 10 Feet	D Diffuser Lens C Clear Lens CW Clear Lens White Louver CB Clear Lens Black Louver DW Diffused Lens Black Louver DB Diffused Lens White Louver	SA Satin Aluminum BZ Antique Bronze WH White



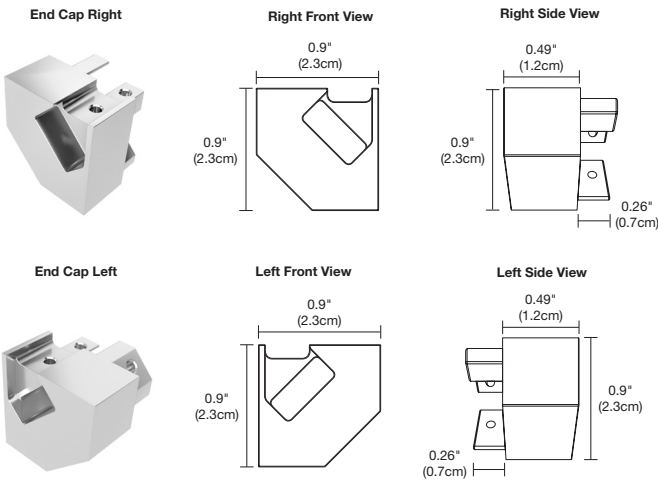
SA
Satin Aluminum



BZ
Antique Bronze



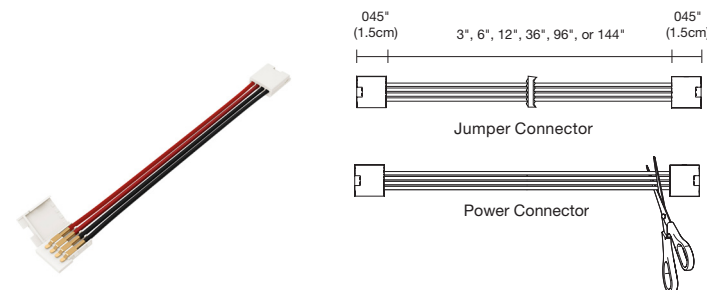
WH
White



End Caps

End Caps are sold in pairs and provide a finished look at the end of a run as well as hold the required power connector.

System	Product	Type	Finish
LC45	SLC	CA	SA
LC45 Light Channel 45 Degree	SLC Snap and Light Connector	CA End Caps	SA Satin Aluminum BZ Antique Bronze WH White



24VDC Light Channel Solderless Snap & Light Jumper/Power Connector

Use as a power connector is required, and use as a jumper connector is optional. Join 2 cut sections of LED Soft Strip end to end within the channel. Solderless connections provide easy installation and are compatible with Solderless Light Channel Connector accessories. To use as a power connector cut and strip the wires.

System	Product	Length
LC	SLC	3IN
LC Light Channel	SLC Solderless Snap & Light Jumper/Power Connector	3IN 3 Inches 6IN 6 Inches 12IN 12 Inches 36IN 36 Inches 96IN 96 Inches 144IN 144 Inches

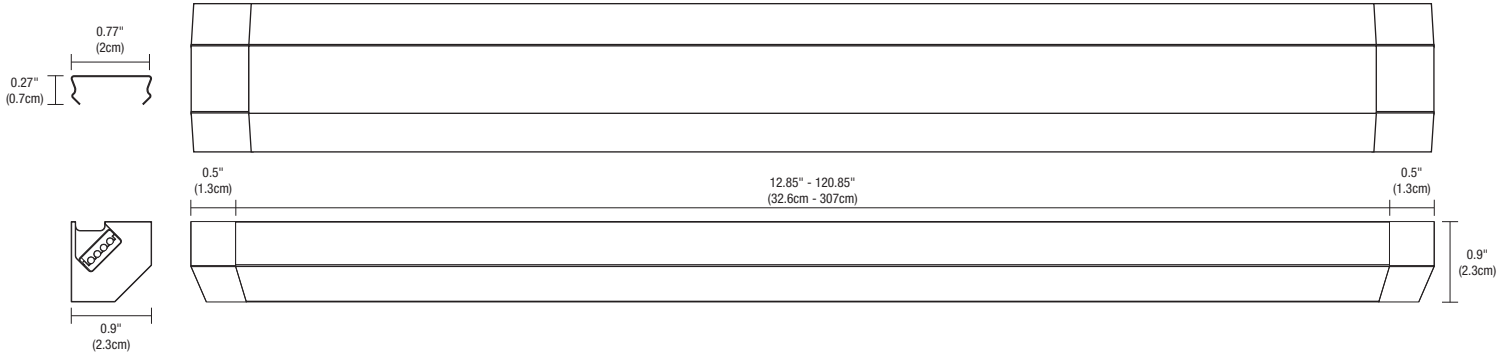
PROJECT	FIXTURE TYPE	DATE
---------	--------------	------

LIGHT CHANNEL 45° DIY SURFACE MOUNT

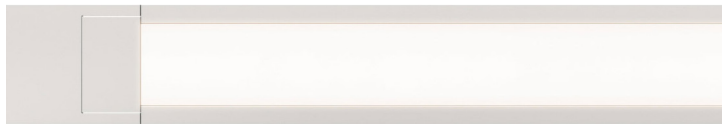
24VDC LED DO-IT-YOURSELF DYNAMIC WHITE/TUNABLE WHITE, WARM DIM, RGB

DESIGNED BY GREGORY KAY | ASSEMBLED IN AMERICA

REV 02.11.20



INCLUDED COMPONENTS Lens Options and Lamp Data for indoor Light Channel 0.6" Surface Mount



LC45 LIGHT CHANNEL 61° DIFFUSER LENS White Diffuser Lens projects clean lines of light, eliminating LED dots



LC45 LIGHT CHANNEL 26° CLEAR LENS Clear Lens provides maximum light levels and will show slight LED dots



LC45 LIGHT CHANNEL DIFFUSE WHITE LENS WITH WHITE LOUVER



LC45 LIGHT CHANNEL DIFFUSER LENS WITH BLACK LOUVER



LC45 LIGHT CHANNEL CLEAR LENS WITH WHITE LOUVER



LC45 LIGHT CHANNEL CLEAR LENS WITH BLACK LOUVER



LC45 LIGHT CHANNEL DIFFUSER LENS WITH GEL COLOR FILTER (PROVIDED BY CUSTOMER)

Clear and Diffuser Lens are Gel Color Filter Suitable allowing for color personalization. Zircon LED Gel filters are recommended and can be purchased from www.leefilters.com. Gel filter life is 5,000 hours before needing to be changed

Lamp Life is 50,000 hours

LCS45 LIGHT CHANNEL SURFACE MOUNT																							
WATTS PER FOOT	2w (2.5 watts)							5w (4.4 watts)							7.5w (4.4 watts)								
COLOR TEMPERATURE	22K	24K	27K	30K	35K	40K	57K	22K	24K	27K	27D*	30K	27D*	35K	40K	57K	22K	24K	27K	30K	35K	40K	57K
CLEAR LENS LUMENS PER FOOT LM/FT	129	144	158	173	198	215	229	208	231	254	372	277	406	317	345	367	300	333	367	400	459	499	531
CLEAR LENS LUMENS PER WATT LM/W	52	57	63	69	79	86	81	47	53	58	78	63	85	72	78	84	40	45	49	53	61	67	71
DIFFUSER LENS LUMENS PER FOOT LM/FT	111	123	135	148	170	184	196	175	194	213	320	233	350	267	290	309	242	269	295	322	369	402	427
DIFFUSER LENS LUMENS PER WATT LM/W	44	49	54	59	68	74	78	40	44	49	67	53	73	61	66	70	32	36	39	43	49	55	57
RF	84	86	88	88	86	88	80	84	86	88	90	88	101	86	88	80	84	86	88	88	86	88	80
RG	95	96	96	100	96	97	92	95	96	96	101	100	101	96	97	92	95	96	96	100	96	97	92
CRI	85+	90+	95+	95+	85+	84	84	85+	90+	95+	95+	95+	95+	85+	84	84	85+	90+	95+	95+	85+	84	84

FOOT CANDLE CHARTS

30K 60° 5W DIFFUSER LENS		
DISTANCE	BEAM	FOOT CANDLE
12in	15in	107 FC
18in	21in	67 FC
24in	29in	47 FC
36in	42in	26 FC

30K 60° 5W CLEAR LENS		
DISTANCE	BEAM	FOOT CANDLE
12in	15in	194 FC
18in	21in	117 FC
24in	29in	82 FC
36in	42in	46 FC

*Foot Candle Data is based off 4' Channel.

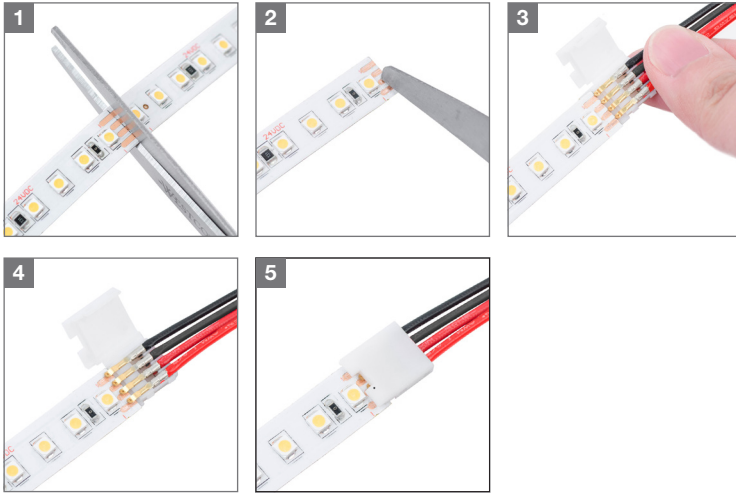
PROJECT	FIXTURE TYPE	DATE
---------	--------------	------

LIGHT CHANNEL 45° DIY SURFACE MOUNT

24VDC LED DO-IT-YOURSELF DYNAMIC WHITE/TUNABLE WHITE, WARM DIM, RGB

REV 02.11.20

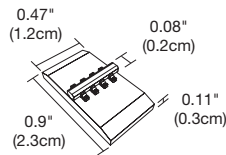
ACCESSORIES: Order based on lighting design or as replacement parts.



Light Channel Solderless Snap & Light Connectors:

Allow easy cutting and rejoining of the LED Soft Strip at any point within a Light Channel. Light Channel Solderless Snap & Light Connectors provide a tightly sealed connection, reducing labor during installation. The gold plated connections provide better connectivity without oxidation.

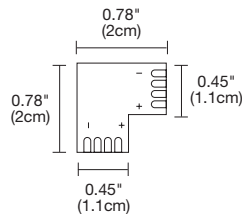
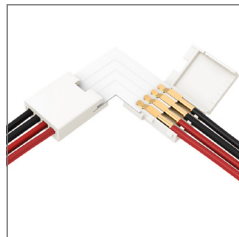
1. Cut in the middle of the joining contacts
2. Remove the protective coating from the contacts
3. Place the LED Soft Strip end under the plastic guide and push it under the snap contacts
4. Close the cover
5. Snap the cover to secure in place



Soft Strip Solderless Snap & Light Straight Joiner

Joins 2 sections of LED Soft Strip in the channel. Used when replacing a section of LED Soft Strip.

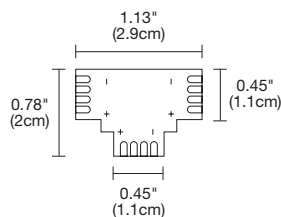
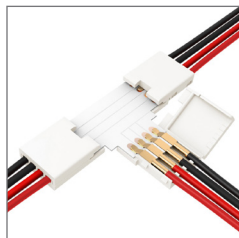
System	Product
CH	SLC
CH Channel	SLC Snap & Light Straight Joiner



Light Channel Solderless Snap & Light L-Connector

Conducts power to 2 sections of LED Soft Strip within the Light Channel. Requires Light Channel Solderless Snap & Light Power/Jumper Connector (sold separately) for use.

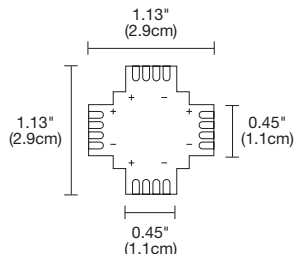
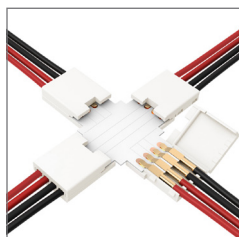
System	Product
LC	SLL
LC Light Channel	SLL Snap & Light L-Connector



Light Channel Solderless Snap & Light T-Connector

Conducts power to 3 sections of LED Soft Strip within the Light Channel. Requires Light Channel Solderless Snap & Light Power/Jumper Connector (sold separately) for use.

System	Product
LC	SLT
LC Light Channel	SLT Snap & Light T-Connector



Light Channel Solderless Snap & Light X-Connector

Conducts power to 4 sections of LED Soft Strip within the Light Channel. Requires Light Channel Solderless Snap & Light Power/Jumper Connector (sold separately) for use.

System	Product
LC	SLX
LC Light Channel	SLX Snap & Light X-Connector

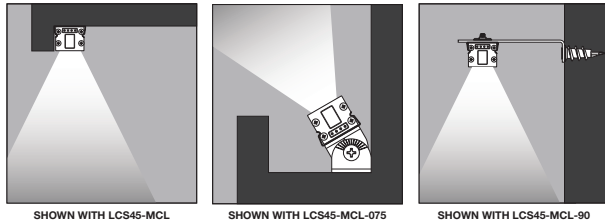
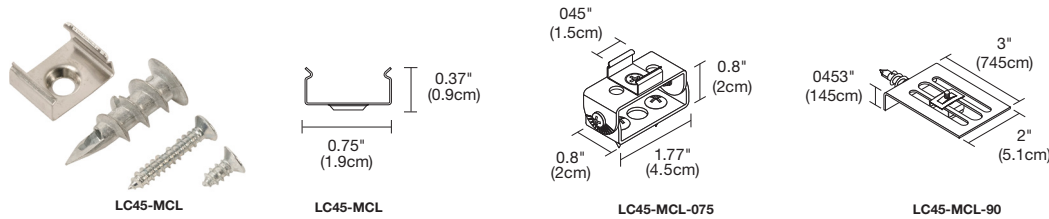
PROJECT	FIXTURE TYPE	DATE
---------	--------------	------

LIGHT CHANNEL 45° DIY SURFACE MOUNT

24VDC LED DO-IT-YOURSELF DYNAMIC WHITE/TUNABLE WHITE, WARM DIM, RGB

REV.02.11.20

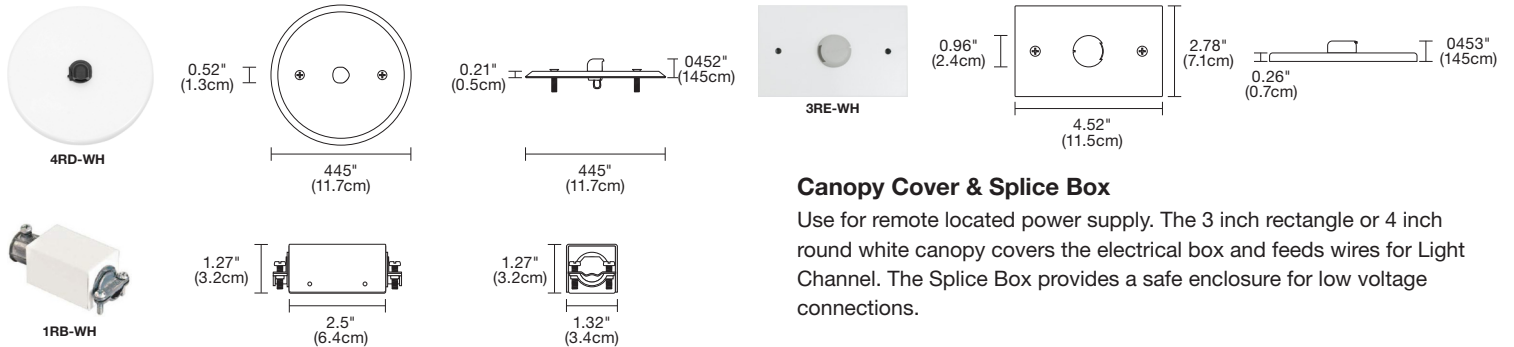
ACCESSORIES: Order based on lighting design or as replacement parts.



Mounting Clips

LC45-MCL mounting clips are provided with every two feet of Light Channel and may be ordered separately as replacement parts. The LC45-MCL-075 rotates Light Channel up to 75 degrees. LC45-MCL-90 mounts Light Channel at a 90 degree angle.

System	Product	Type
LC45	MCL	Standard (Leave Blank)
LC45 Light Channel 045° Surface Mount	MCL Mounting Clip	075 Adjusts 0-75° 90 Mounts at 90°



Canopy Cover & Splice Box

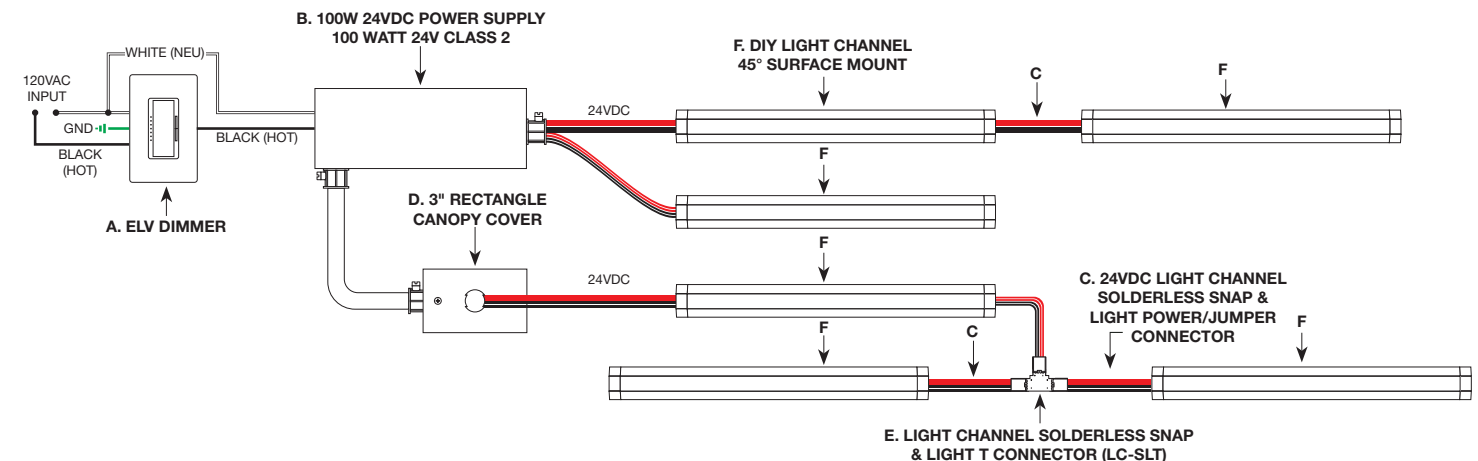
Use for remote located power supply. The 3 inch rectangle or 4 inch round white canopy covers the electrical box and feeds wires for Light Channel. The Splice Box provides a safe enclosure for low voltage connections.

Product	Finish
3RE	WH
3RE 3 Inch Rectangle Canopy Cover	WH White
4RD 4 Inch Round Canopy Cover	
1RB 1 Inch Rectangle Splice Box	

Power Supply: 120VAC input, 24VDC 96 watt output PSB-100W-ELV-24VDC

Dimming: Dimmable with low voltage electronic dimmer using power supply above. See power supply spec sheet for additional details.

Lutron: Diva DVELV-300P; Skylark SELV-300P; Maestro MAELV-600 dimmers are recommended.



PROJECT	FIXTURE TYPE	DATE
---------	--------------	------



LIGHT CHANNEL 45° DIY SURFACE MOUNT

24VDC LED DO-IT-YOURSELF DYNAMIC WHITE/TUNABLE WHITE, WARM DIM, RGB



REV 02.11.20

REQUIRED COMPONENTS: Use the comparison chart below to select the desired 24VDC LED Soft Strip to install within Light Channel 45° Surface Mount.

ORDERING CODE	SS2P	SS4P	SS2C	SS5C
COLOR TYPE	Static White	Static White	Static White	Static White
GRADE	Economy Premium	Economy Premium	Commercial	Commercial
WATTAGE PER FOOT*	2.3w	3.5w	2.5w	4.4w
AVAILABLE COLOR TEMPERATURES & CRI	2700K - 84 3000K - 85	2700K - 84 3000K - 85	20K - 85+ 22K - 90+ 24K - 95+ 27K - 95+ 30K - 95+ 35K - 85+ 40K - 85+ 57K - 85+	20K - 85+ 22K - 90+ 24K - 95+ 27K - 95+ 30K - 95+ 35K - 85+ 40K - 85+ 57K - 85+
STANDARD DIFFUSED LENS LUMENS PER FOOT lm/ft & LUMENS PER WATT lm/w	27K - 92 lm/ft 37 lm/w	27K - 168 lm/ft 48 lm/w	22K - 75 lm/ft 30 lm/w 27K - 92 lm/ft 37 lm/w 30K - 100 lm/ft 40 lm/w 35K - 115 lm/ft 46 lm/w 40K - 125 lm/ft 50 lm/w 57K - 133 lm/ft 53 lm/w	22K - 146 lm/ft 33 lm/w 27K - 178 lm/ft 40 lm/w 30K - 195 lm/ft 44 lm/w 35K - 223 lm/ft 51 lm/w 40K - 242 lm/ft 55 lm/w 57K - 258 lm/ft 59 lm/w
	30K - 100 lm/ft 40 lm/w	30K - 183 lm/ft 53 lm/w		
CLEAR FROSTED LENS LUMENS PER FOOT lm/ft & LUMENS PER WATT lm/w	27K - 72 lm/ft 28 lm/w	27K - 195 lm/ft 56 lm/w	22K - 88 lm/ft 35 lm/w 27K - 107 lm/ft 43 lm/w 30K - 117 lm/ft 47 lm/w 35K - 134 lm/ft 54 lm/w 40K - 146 lm/ft 58 lm/w 57K - 155 lm/ft 62 lm/w	22K - 171 lm/ft 39 lm/w 27K - 209 lm/ft 47 lm/w 30K - 228 lm/ft 52 lm/w 35K - 261 lm/ft 59 lm/w 40K - 284 lm/ft 65 lm/w 57K - 302 lm/ft 69 lm/w
	30K - 117 lm/ft 47 lm/w	30K - 213 lm/ft 61 lm/w		
WHITE LOUVER DIFFUSED WHITE LENS LUMENS PER FOOT lm/ft & LUMENS PER WATT lm/w	27K - 61 lm/ft 24 lm/w	27K - 134 lm/ft 38 lm/w	22K - 50 lm/ft 61 lm/w 27K - 61 lm/ft 24 lm/w 30K - 67 lm/ft 27 lm/w 35K - 76 lm/ft 31 lm/w 40K - 83 lm/ft 33 lm/w 57K - 88 lm/ft 35 lm/w	22K - 97 lm/ft 22 lm/w 27K - 119 lm/ft 27 lm/w 30K - 130 lm/ft 29 lm/w 35K - 149 lm/ft 34 lm/w 40K - 162 lm/ft 37 lm/w 57K - 172 lm/ft 39 lm/w
	30K - 67 lm/ft 27 lm/w	30K - 146 lm/ft 41 lm/w		
WHITE LOUVER CLEAR FROSTED LENS LUMENS PER FOOT lm/ft & LUMENS PER WATT lm/w	27K - 72 lm/ft 29 lm/w	27K - 156 lm/ft 46 lm/w	22K - 59 lm/ft 23 lm/w 27K - 72 lm/ft 29 lm/w 30K - 78 lm/ft 31 lm/w 35K - 90 lm/ft 36 lm/w 40K - 97 lm/ft 39 lm/w 57K - 104 lm/ft 41 lm/w	22K - 114 lm/ft 26 lm/w 27K - 139 lm/ft 32 lm/w 30K - 152 lm/ft 35 lm/w 35K - 174 lm/ft 40 lm/w 40K - 189 lm/ft 43 lm/w 57K - 201 lm/ft 46 lm/w
	30K - 78 lm/ft 31 lm/w	30K - 170 lm/ft 48 lm/w		
BLACK LOUVER DIFFUSED WHITE LENS LUMENS PER FOOT lm/ft & LUMENS PER WATT lm/w	27K - 35 lm/ft 14 lm/w	27K - 117 lm/ft 34 lm/w	22K - 28 lm/ft 11 lm/w 27K - 35 lm/ft 14 lm/w 30K - 38 lm/ft 15 lm/w 35K - 43 lm/ft 17 lm/w 40K - 47 lm/ft 19 lm/w 57K - 50 lm/ft 20 lm/w	22K - 55 lm/ft 13 lm/w 27K - 67 lm/ft 15 lm/w 30K - 74 lm/ft 17 lm/w 35K - 84 lm/ft 19 lm/w 40K - 92 lm/ft 21 lm/w 57K - 98 lm/ft 22 lm/w
	30K - 38 lm/ft 15 lm/w	30K - 110 lm/ft 32 lm/w		
BLACK LOUVER CLEAR FROSTED LENS LUMENS PER FOOT lm/ft & LUMENS PER WATT lm/w	27K - 41 lm/ft 16 lm/w	27K - 171 lm/ft 34 lm/w	22K - 33 lm/ft 13 lm/w 27K - 41 lm/ft 16 lm/w 30K - 44 lm/ft 18 lm/w 35K - 51 lm/ft 20 lm/w 40K - 55 lm/ft 22 lm/w 57K - 59 lm/ft 24 lm/w	22K - 65 lm/ft 15 lm/w 27K - 79 lm/ft 18 lm/w 30K - 86 lm/ft 20 lm/w 35K - 99 lm/ft 22 lm/w 40K - 107 lm/ft 24 lm/w 57K - 114 lm/ft 26 lm/w
	30K - 44 lm/ft 18 lm/w	30K - 146 lm/ft 37 lm/w		
NUMBER OF LEDS PER FOOT	35	35	35	35
CUTTING INCREMENTS	2.4"	2.4"	2.4"	2.4"
MAXIMUM LENGTH 100 WATT, POWER SUPPLY	40 FT	25 FT	40 FT	20 FT
LED DISTANCE	0.34"	0.34"	0.34"	0.34"
DIMMING TYPE	UNIVERSAL (ELV, 0-10V and TRIAC), ELV, 0-10V	UNIVERSAL (ELV, 0-10V and TRIAC), ELV, 0-10V	UNIVERSAL (ELV, 0-10V and TRIAC), ELV, 0-10V	UNIVERSAL (ELV, 0-10V and TRIAC), ELV, 0-10V
LAMP LIFE (HOURS)	50,000	50,000	50,000	50,000

FOOT CANDLE CHARTS

30K 65° 6.5W DIFFUSER LENS		
DISTANCE	BEAM	FOOT CANDLE
12in	15in	107 FC
18in	21in	67 FC
24in	29in	47 FC
36in	42in	26 FC

30K 52° 5W CLEAR LENS		
DISTANCE	BEAM	FOOT CANDLE
12in	12in	194 FC
18in	17in	117 FC
24in	22in	82 FC
36in	27in	46 FC

*Foot Candle Data is based off 4 feet channel.

PROJECT		FIXTURE TYPE		DATE	
---------	--	--------------	--	------	--

LIGHT CHANNEL 45° DIY SURFACE MOUNT

24VDC LED DO-IT-YOURSELF DYNAMIC WHITE/TUNABLE WHITE, WARM DIM, RGB

REQUIRED COMPONENTS: Use the comparison chart below to select the desired 24VDC LED Soft Strip to install within Light Channel 45° Surface Mount.

ORDERING CODE	SS5C	SS7C
COLOR TYPE	Warm Dim	Static White
GRADE	Commercial	Commercial
WATTAGE PER FOOT*	4.8w	7w
AVAILABLE COLOR TEMPERATURES & CRI	(27D) 2700K Warm Dim to 2000K 95+ CRI (30D) 3000K Warm Dim to 2000K 95+ CRI	2200K - 85+ 2400K - 90+ 2700K - 95+ 3000K - 95+ 3500K - 90+ 4000K - 85+ 5700K - 84+
STANDARD DIFFUSED LENS LUMENS PER FOOT lm/ft & LUMENS PER WATT lm/w	27D - 219 lm/ft 46 lm/w	22K - 290 lm/ft 40 lm/w 27K - 354 lm/ft 48 lm/w 30K - 386 lm/ft 53 lm/w 35K - 442 lm/ft 61 lm/w 40K - 481 lm/ft 66 lm/w 57K - 512 lm/ft 70 lm/w
	30D - 240 lm/ft 50 lm/w	40K - 481 lm/ft 66 lm/w 57K - 512 lm/ft 70 lm/w
CLEAR FROSTED LENS LUMENS PER FOOT lm/ft & LUMENS PER WATT lm/w	27D - 257 lm/ft 281 lm/w	22K - 340 lm/ft 47 lm/w 27K - 414 lm/ft 57 lm/w 30K - 453 lm/ft 62 lm/w 35K - 518 lm/ft 71 lm/w 40K - 564 lm/ft 77 lm/w 57K - 600 lm/ft 82 lm/w
	30D - 54 lm/ft 59 lm/w	40K - 564 lm/ft 77 lm/w 57K - 600 lm/ft 82 lm/w
WHITE LOUVER DIFFUSED WHITE LENS LUMENS PER FOOT lm/ft & LUMENS PER WATT lm/w	27D - 146 lm/ft 30 lm/w	22K - 193 lm/ft 26 lm/w 27K - 236 lm/ft 32 lm/w 30K - 258 lm/ft 35 lm/w 35K - 295 lm/ft 40 lm/w 40K - 321 lm/ft 44 lm/w 57K - 341 lm/ft 47 lm/w
	30D - 160 lm/ft 33 lm/w	40K - 321 lm/ft 44 lm/w 57K - 341 lm/ft 47 lm/w
WHITE LOUVER CLEAR FROSTED LENS LUMENS PER FOOT lm/ft & LUMENS PER WATT lm/w	27D - 171 lm/ft 36 lm/w	22K - 226 lm/ft 31 lm/w 27K - 276 lm/ft 38 lm/w 30K - 302 lm/ft 41 lm/w 35K - 346 lm/ft 47 lm/w 40K - 376 lm/ft 51 lm/w 57K - 400 lm/ft 55 lm/w
	30D - 187 lm/ft 39 lm/w	40K - 376 lm/ft 51 lm/w 57K - 400 lm/ft 55 lm/w
BLACK LOUVER DIFFUSED WHITE LENS LUMENS PER FOOT lm/ft & LUMENS PER WATT lm/w	27D - 83 lm/ft 17 lm/w	22K - 110 lm/ft 15 lm/w 27K - 134 lm/ft 18 lm/w 30K - 146 lm/ft 20 lm/w 35K - 167 lm/ft 23 lm/w 40K - 182 lm/ft 25 lm/w 57K - 194 lm/ft 27 lm/w
	30D - 91 lm/ft 19 lm/w	40K - 182 lm/ft 25 lm/w 57K - 194 lm/ft 27 lm/w
BLACK LOUVER CLEAR FROSTED LENS LUMENS PER FOOT lm/ft & LUMENS PER WATT lm/w	27D - 97 lm/ft 20 lm/w	22K - 128 lm/ft 18 lm/w 27K - 157 lm/ft 21 lm/w 30K - 171 lm/ft 23 lm/w 35K - 196 lm/ft 27 lm/w 40K - 213 lm/ft 29 lm/w 57K - 227 lm/ft 31 lm/w
	30D - 106 lm/ft 22 lm/w	40K - 213 lm/ft 29 lm/w 57K - 227 lm/ft 31 lm/w
NUMBER OF LEDS PER FOOT	70 (35+35)	35
CUTTING INCREMENTS	3"	2.4"
MAXIMUM LENGTH 100 WATT, POWER SUPPLY	20 FT	20 FT
LED DISTANCE	0.22"	0.34"
DIMMING TYPE	ELV POWER ONLY	UNIVERSAL (ELV, 0-10V and TRIAC), ELV, 0-10V
LAMP LIFE (HOURS)	50,000	50,000

PROJECT	FIXTURE TYPE	DATE
---------	--------------	------

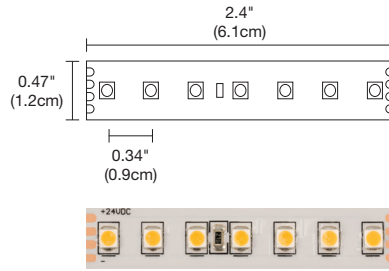
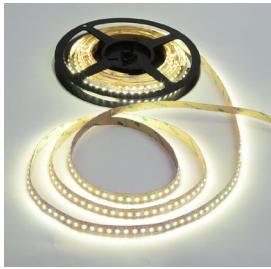
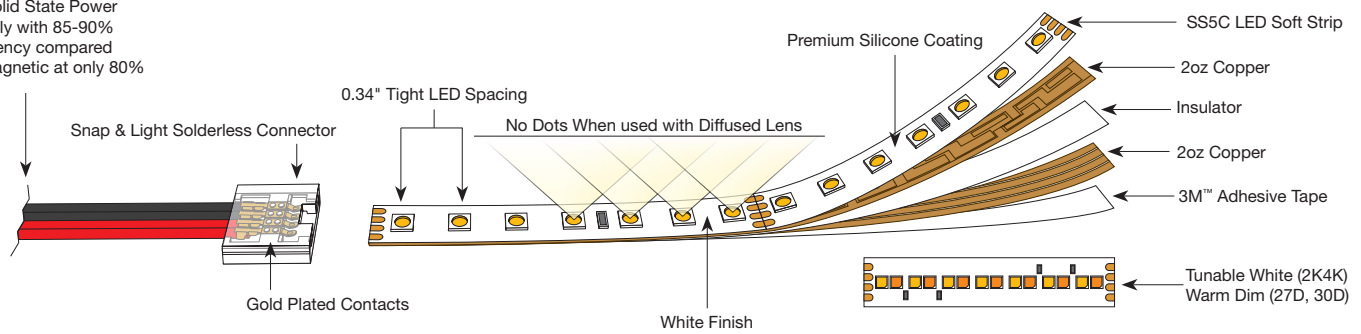
LIGHT CHANNEL 45° DIY SURFACE MOUNT

24VDC LED DO-IT-YOURSELF DYNAMIC WHITE/TUNABLE WHITE, WARM DIM, RGB

REV 02.11.20

REQUIRED COMPONENTS: Select 24VDC LED Soft Strip based on desired color temperature and application.

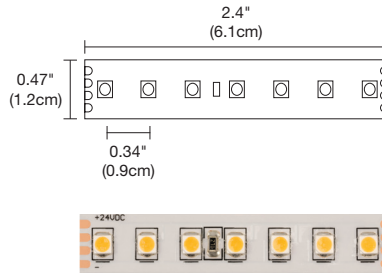
To Solid State Power Supply with 85-90% efficiency compared to magnetic at only 80%



ECONOMY PREMIUM STATIC WHITE SOFT STRIP

Consumes 2.3 watts per foot (SS2P) and 3.5 watts per foot (SS4P) is available in two color temperatures. SS2P and SS4P Soft Strip use UNI-POWER ELV and 0-10V power supplies.

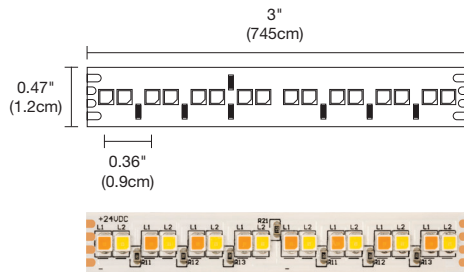
System	Voltage	Length in Feet	Color Temperature
SS2P	24V	8	27K
SS2P LED Soft Strip Economy Premium 2.3 watts per foot	24V 24 Volt	1-40 1 - 40 feet (SS2P) 1-25 1 - 25 feet (SS4P)	27K 2700K Incandescent White 30K 3000K Warm White
SS4P LED Soft Strip Economy Premium 3.5 watts per foot			



COMMERCIAL STATIC WHITE SOFT STRIP

Consumes 2.5 watts per foot (SS2C), 4.4 watts per foot (SS5C), and 7.3 watts per foot (SS7C) and is available in eight color temperatures. SS2C, SS5C, and SS7C Soft Strips use UNI-POWER ELV and 0-10V power supplies.

System	Voltage	Length in Feet	Color Temperature
SS2C	24V	40	27K
SS2C LED Soft Strip Commercial 2.5 watts per foot	24V 24 Volt	1-40 1 - 40 feet (SS2C) 1-20 1 - 20 feet (SS5C)	20K 2000K Sunset 22K 2200K Amber White
SS5C LED Soft Strip Commercial 4.4 watts per foot		1-12 1 - 12 feet (SS7C)	24K 2400K Very Warm White 27K 2700K Incandescent White
SS7C LED Soft Strip Commercial 7.3 watts per foot			30K 3000K Warm White 35K 3500K Neutral White 40K 4000K Cool White 57K 5700K Daylight White



WARM DIM DIM-TO-WARM

(30D) dims from 3000K to 2000K, (27D) dims from 2700K to 2000K. 4.8 Watt Only. USE ELV POWER SUPPLY.

System	Voltage	Length in Feet	Color Temperature
SS5C	24V	20	27D
SS5C LED Soft Strip Commercial 4.8 watts per foot	24V 24 Volt	1-20 1 - 20 feet	27D 2700K Warm Dim to 2000K (DIM-TO-WARM) 5 Watt Only 30D 3000K Warm Dim (DIM-TO-WARM) 5 Watt Only

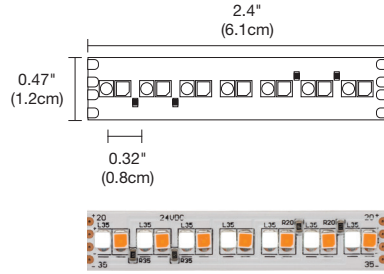
PROJECT	FIXTURE TYPE	DATE
---------	--------------	------

LIGHT CHANNEL 45° DIY SURFACE MOUNT

24VDC LED DO-IT-YOURSELF DYNAMIC WHITE/TUNABLE WHITE, WARM DIM, RGB

REV 02.11.20

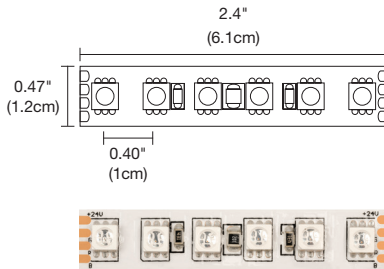
REQUIRED COMPONENTS: Select 24VDC LED Soft Strip based on desired color temperature and application.



COMMERCIAL/DYNAMIC TUNABLE WHITE (2K4K)

Consumes 4.8 watts per foot and provides variable color temperatures ranging from candlelight (2000K) to cool white (4000K) at full brightness or dim to 1%. SS5C Soft Strip Tunable White uses Universal Power Supplies, ELV, 0-10V, and DMX power supplies.

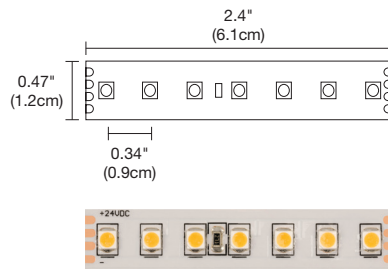
System	Voltage	Length in Feet	Color Temperature
SS5C	24V	20	2K4K
SS5C LED Soft Strip Commercial 4.8 watts per foot	24V 24 Volt	1-20 1 - 20 feet	2K4K Tunable White 2000K-4000K



SPECIAL APPLICATION DYNAMIC COLOR (RGB)

Consumes 5 watts per foot and provides dynamic color changing effects with red, green, and blue LEDs. SS5 Soft Strip uses DMX power supplies.

System	Voltage	Length in Feet	Color Temperature
SS5	24V	20	RGB
SS5 LED Soft Strip Special Application 5 watts per foot	24V 24 Volt	1-20 1 - 20 feet	RGB Red/Green/Blue Dynamic Color



MONOCHROMATIC STATIC COLOR

Offers a variety of color options for special applications or special lighting effects in which static colors are used. Consumes 4.8 Watts of power per linear foot. Powered using; UNI-POWER, 0-10V or ELV power supply options.

System	Voltage	Length in Feet	Color Temperature
SS5	24V	36	AAA
SS5 LED Soft Strip Special Application 4.8 watts per foot	24V 24 Volt	1-36 1 - 36 feet	RRR Red Static Color Monochromatic GGG Green Static Color Monochromatic BBB Blue Static Color Monochromatic AAA Amber Static Color Monochromatic PPP Purple Static Color Monochromatic

PROJECT	FIXTURE TYPE	DATE
---------	--------------	------

INDOOR CONSTANT VOLTAGE REMOTE POWER SUPPLIES

24VDC, UNI - UNIVERSAL DIMMING WITH ELV, TRIAC, & 0-10V

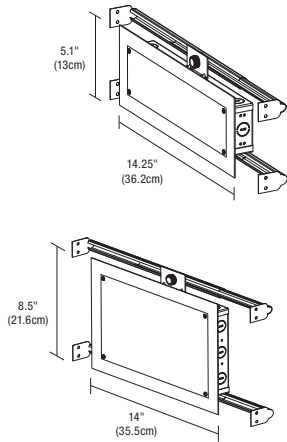
REV 02.11.20

UNIVERSAL POWER SUPPLIES & RECOMMENDED DIMMERS				
ORDERING CODE	PSB-40W-UNI-24VDC	PSB-60W-UNI-24VDC	PSB-2X40W-UNI-24VDC	PSB-2X60W-UNI-24VDC
SPECIFICATIONS				
MAXIMUM LOAD	40W	60W	2X40W	2X60W
INPUT VOLTAGE	120-277VAC	120-277VAC	120-277VAC	120-277VAC
OUTPUT VOLTAGE	24VDC	24VDC	24VDC	24VDC
DIMENSIONS	12.4" X 3.12" X 2.18"	12.4" X 3.12" X 2.18"	12.15" X 6.48" X 2.18"	12.15" X 6.48" X 2.18"
CLASSIFICATION	CLASS 2	CLASS 2	CLASS 2	CLASS 2
IN-WALL MOUNTING	PSB-40W-UNI-24VDC-IW	PSB-60W-UNI-24VDC-IW	PSB-2X40W-UNI-24VDC-IW	PSB-2X60W-UNI-24VDC-IW
UNIVERSAL POWER SUPPLIES & RECOMMENDED DIMMERS				
ORDERING CODE	PSB-96W-UNI-24VDC	PSB-2X96W-UNI-24VDC	PSB-3X96W-UNI-24VDC	PSB-4X96W-UNI-24VDC
SPECIFICATIONS				
MAXIMUM LOAD	96W	2X96W	3X96W	4X96W
INPUT VOLTAGE	120-277VAC	120-277VAC	120-277VAC	120-277VAC
OUTPUT VOLTAGE	24VDC	24VDC	24VDC	24VDC
DIMENSIONS	12.4" X 3.12" X 2.18"	12.15" X 6.48" X 2.18"	14" X 10" X 3"	17" X 13" X 3"
CLASSIFICATION	CLASS 2	CLASS 2	CLASS 2	CLASS 2
IN-WALL MOUNTING	PSB-96W-UNI-24VDC-IW	PSB-2X96W-UNI-24VDC-IW	NA	NA
ELV DIMMING & CONTROLS				
LUTRON DIVA: DVELV-300P	•	•	•	•
LUTRON SKYLARK: SELV-300P	•	•	•	•
LUTRON RADIO RA2: RRD-6NA	•	•	•	•
LUTRON MAESTRO: MAELV-600	•	•	•	•
LEGRAND ADORNE: ADTP-703TUM4	•	•	•	•
0-10 DIMMING & CONTROLS				
PHILIPS SUNRISE: SR1200ZTUNV	•	•	•	•
LUTRON DIVA: DVTW-WH, DVSTV-WH	•	•	•	•
LUTRON NOVA T: NTSTV-DV-XX	•	•	•	•
LUTRON GRAFIX EYE QS: QSGRJ-XP	•	•	•	•
LUTRON RADIO RA2: RRD-10ND	•	•	•	•
LEVITON: LEV40050	•	•	•	•
LEVITON IP710-LFZ	•	•	•	•
LEGRAND: ADPD4FBL3P2W4	•	•	•	•
TRIAC DIMMING & CONTROLS				
LUTRON SKYLARK: S2-L-WH	•	•	•	•
LUTRON DIVA DVLV-600P-WH	•	•	•	•
LUTRON DIVA DVLV-603P-WH	•	•	•	•
LUTRON MAESTRO MALV-600-WH	•	•	•	•
LUTRON MAESTRO MALV-1000-WH	•	•	•	•
LUTRON MAESTRO MA-R-XX	•	•	•	•

- Flicker free dimming
- Aluminum casing for optimal heat dissipation
- Isolated output power per NEC and UL safety requirements
- UL & ETL recognized/ listed, meets UL 8750, 1310 requirements
- Auto-reset: short circuit, overload and thermal protection
- Class 2 power supply
- Efficient, High power factor > 0.90
- The Solid State Constant Voltage Uni-Power Supply is compatible with most commercially available Dimmers:
 - Triac Dimmer : (Forward Phase) Typically used for the dimming of Incandescent and Low Voltage Magnetic Transformers
 - ELV Dimmer : (Reverse Phase) Dimming of Electronic Low Voltage Transformers and Power Supply's used for LED lighting
 - 0-10 Dimmer : Dims the Low Voltage side of a 0-10 volt power supply commonly used in large scale lighting or commercial applications.
- The Uni-Power Supply is recommended with any Siemens/Murray brand of arc fault breaker to overcome the issues with tripping the breakers with an ELV LED Low Voltage Drivers.

PROJECT		FIXTURE TYPE		DATE	
---------	--	--------------	--	------	--

IN WALL MOUNTING OPTIONS



In-Wall Mounting Kit: Includes power supply, box cover and stud hangers for installing Junction Box in wall. Select "IW" in the options section of compatible power supply ordering codes if an In-Wall Mounting Kit is needed.

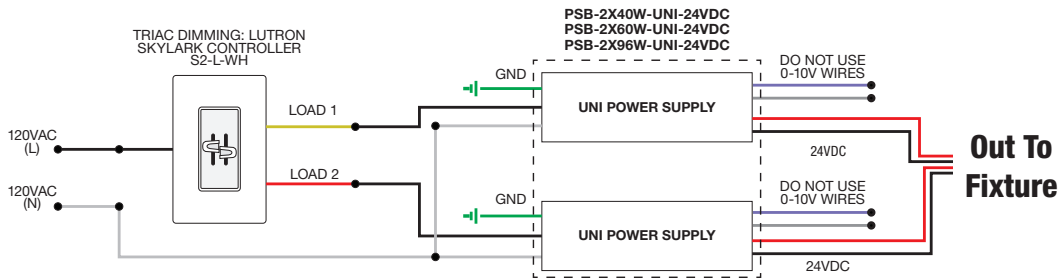
Ordering Codes 5.1 x 14.25 inch: PSB-40W-UNI-24VDC-IW
PSB-60W-UNI-24VDC-IW
PSB-96W-UNI-24VDC-IW

Ordering Codes 8.5 x 14.25 inch: PSB-2X40W-UNI-24VDC-IW
PSB-2X60W-UNI-24VDC-IW
PSB-2X96W-UNI-24VDC-IW

WIRING DIAGRAMS UNIVERSAL POWER SUPPLY

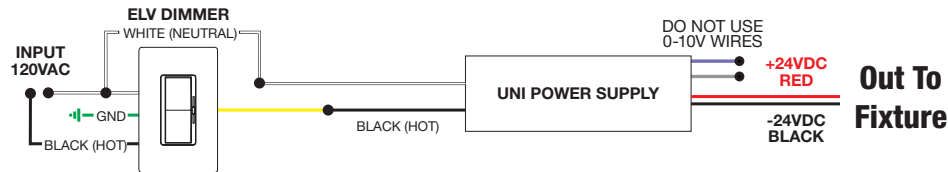
Application: Triac dimming for two power supplies, use for Static White, Dynamic/Tunable White 2000K-4000K

Dimming: Dimmable with Triac dimmer: Lutron: Skylark S2-L



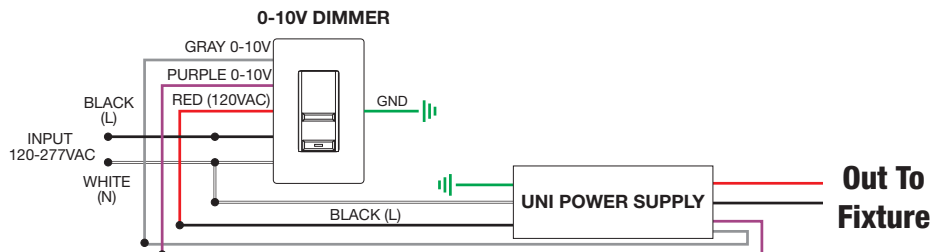
Application: ELV dimming for Static White and Warm Dim

Dimming: Dimmable with ELV dimmer: Legrand, Adorne ADTP703TU; Lutron: Diva DVELV-300P, Skylark SELV-300P, Maestro MAELV-600 and Radio Ra 2



Application: 0-10V dimming for Static White

Dimming: Dimmable with 0-10V dimmer: Philips Sunrise: SR1200ZTUNV; Lutron Diva: DVTV-WH, DVSTV-WH; Lutron Nova T: NTSTV-DV-XX; Lutron Grafix EYE QS: QSGRJ-XP; Lutron Radio Ra2: RRD-10ND; Leviton: LEV40050; Leviton IP710-LFZ; Legrand: ADPD4FBL3P2W4



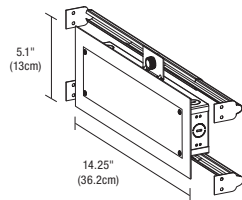
PROJECT		FIXTURE TYPE		DATE	
---------	--	--------------	--	------	--

ELECTRONIC LOW-VOLTAGE (ELV) POWER SUPPLIES & RECOMMENDED DIMMERS ^{†‡}				
ORDERING CODES	PSB-60L-ELV-24VDC 	PSB-60W-ELV-24VDC 	PSB-2X60W-ELV-24VDC 	PSB-100W-ELV-24VDC
SPECIFICATIONS				
MAXIMUM LOAD	60W NON-IC, 50W-IC (FITS IN JBOX)	60W	2X60W	96W
INPUT VOLTAGE	120VAC	120VAC	120VAC	120VAC
OUTPUT VOLTAGE	24VDC	24VDC	24VDC	24VDC
DIMENSIONS	2.25" X 1.25" X 0.83"	8.125" X 2" X 1.75"	12.15" X 6.48" X 2.18"	9.25" X 3.5" X 2"
CLASSIFICATION	CLASS 2	CLASS 2	CLASS 2	CLASS 2
IN WALL MOUNTING	N/A	PSB-60W-ELV-24VDC-IW	PSB-2X60W-ELV-24VDC-IW	PSB-100W-ELV-24VDC-IW
ELECTRONIC LOW-VOLTAGE (ELV) POWER SUPPLIES & RECOMMENDED DIMMERS ^{†‡}				
ORDERING CODES	PSB-2X100W-ELV-24VDC 	PSB-3X100W-ELV-24VDC 	PSB-4X100W-ELV-24VDC 	
SPECIFICATIONS				
MAXIMUM LOAD	2X96W	3X96W	4X96W	
INPUT VOLTAGE	120VAC	120VAC	120VAC	
OUTPUT VOLTAGE	24VDC	24VDC	24VDC	
DIMENSIONS	12.15" X 6.48" X 2.18"	14" X 10" X 3"	17" X 13" X 3"	
CLASSIFICATION	CLASS 2	CLASS 2	CLASS 2	
IN WALL MOUNTING	PSB-2X100W-ELV-24VDC-IW	N/A	N/A	
DIMMING AND CONTROLS				
LUTRON DIVA: DVELV-300P	•	•	•	
LUTRON SKYLARK: SELV-300P	•	•	•	
LUTRON RADIO RA2: RRD-6NA	•	•	•	
LUTRON MAESTRO: MAELV-600	•	•	•	
LEGRAND ADORNE: ADTP-703TUM4	•	•	•	

[†]22K - 57K color temperatures are compatible with 0-10V, ELV, and Lutron Hi-lume® Power Supplies. Warm Dim (27D, 30D) color temperatures are only compatible with ELV power supplies. Tunable White (2K4K) color temperature is compatible with 0-10V, ELV, DMX, and Lutron Hi-lume® Power Supplies. Dynamic Color (RGB, RGB+W) and Static Color (Amber, Blue, Green, or Red) are compatible with DMX Power Supplies.

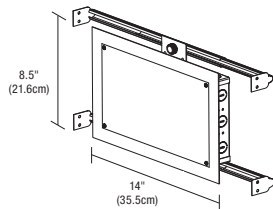
[‡]Electrical Panels using Seimens/Murray AFCI breakers are not compatible with this ELV transformer. Use 0-10 Volt power supplies with this breaker

With N-Lite Dimming Do not use ELV power supplies, use only 0-10 volt or Uni drivers power supplies



5.1 x 14.25 inch In-Wall Mounting Kit: Includes power supply, box cover and stud hangers for installing Junction Box in wall. Select "IW" in the options section of compatible power supply ordering codes if an In-Wall Mounting Kit is needed.

Ordering Codes: PSB-60W-ELV-24VDC-IW
PSB-100W-ELV-24VDC-IW



8.5 x 14 inch In-Wall Mounting Kit: Includes power supply, box cover and stud hangers for installing Junction Box in wall. Select "IW" in the options section of compatible power supply ordering codes if an In-Wall Mounting Kit is needed.

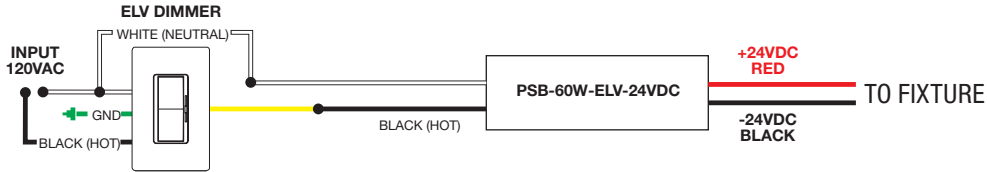
Ordering Codes: PSB-2X60W-ELV-24VDC-IW
PSB-2X100W-ELV-24VDC-IW

PROJECT		FIXTURE TYPE		DATE	
---------	--	--------------	--	------	--

SAMPLE WIRING DIAGRAMS 24VDC ELV

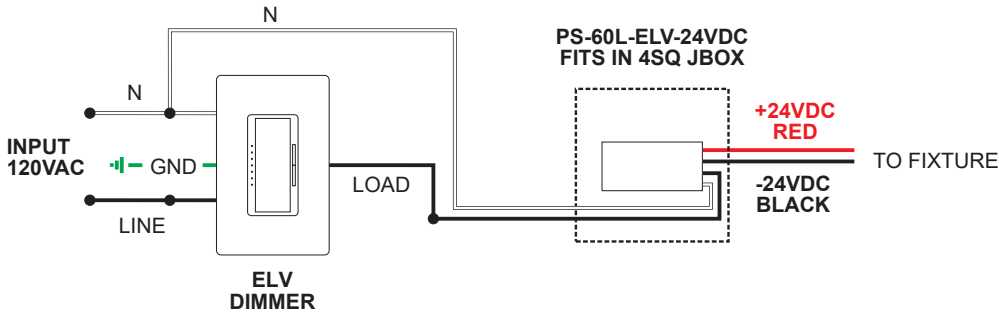
Application: ELV dimming for Static White

Dimming: Dimmable with ELV dimmer: Legrand, Adorne ADTP703TU; Lutron: Diva DVELV-300P, Skylark SELV-300P, Maestro MAELV-600 and Radio Ra 2



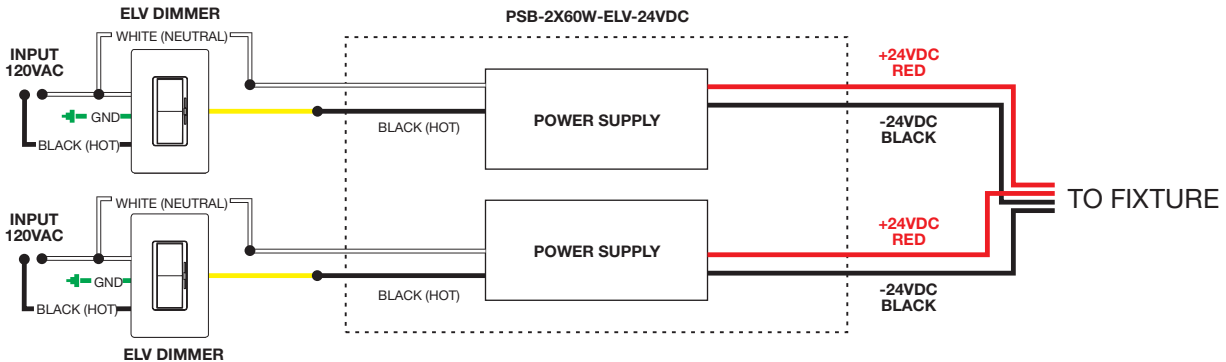
Application: ELV dimming for Static White

Dimming: Dimmable with ELV dimmer: Legrand, Adorne ADTP703TU; Lutron: Diva DVELV-300P, Skylark SELV-300P, Maestro MAELV-600 and Radio Ra 2



Application: Dual ELV dimming for Dynamic/Tunable White 2000K-4000K

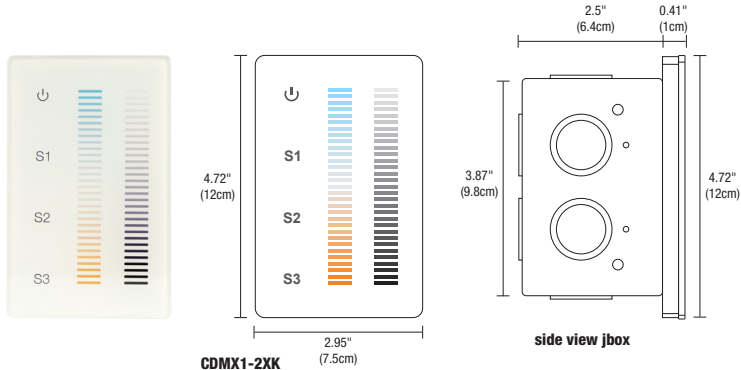
Dimming: Dimmable with ELV dimmer: Legrand, Adorne ADTP703TU; Lutron: Diva DVELV-300P, Skylark SELV-300P, Maestro MAELV-600 and Radio Ra 2



PROJECT		FIXTURE TYPE		DATE	
---------	--	--------------	--	------	--

INDOOR CONSTANT VOLTAGE REMOTE POWER SUPPLIES

24VDC, DYNAMIC/TUNABLE WHITE POWER SUPPLIES WITH DMX DRIVER



Description:

The Tunable White Touch Controller is a full-touch controller that offers fast and accurate color temperature adjustment and independent brightness dimming of a single zone. Designed for dynamic/tunable white and dual-color LED installations, this controller adjusts color temperature and brightness for warm and cool white LEDs. It also saves 3 preset scenes. Independent smooth dimming with 256 level brightness adjustment enables the DMX controller to achieve many colors within the full LED spectrum. Controller includes a power adapter that fits in junction box (not included) behind the controller. It contains an illuminated back light when powered off.

Applications:

Indoor

Power Input:

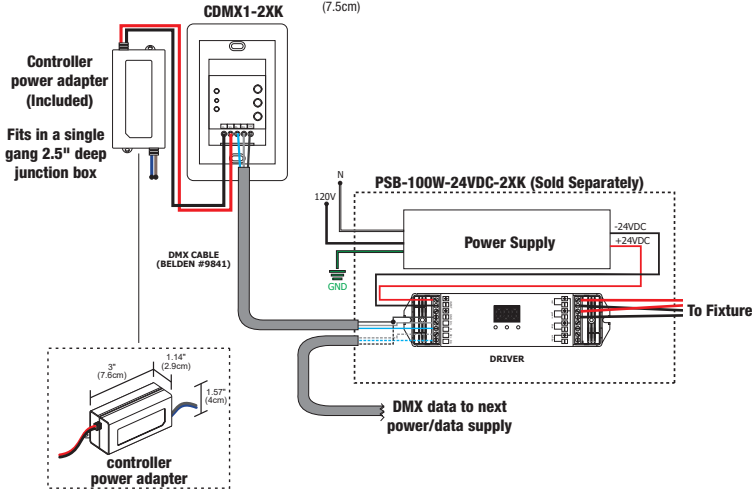
120-240VAC

Installation:

Fits in a single gang 2.5 inch deep junction box, not to be used with a multi gang box

Output Signal:

USITT DMX 512 (1990)



Product	Type	Finish
CDMX1	2XK	WH
CDMX1 DMX Single Zone Touch Controller	2XK 2 X Kelvin	WH White

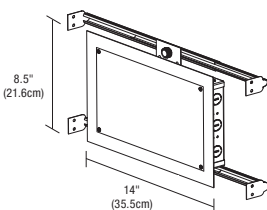
DYNAMIC COLOR CHANGING (DMX) POWER SUPPLIES & RECOMMENDED CONTROLLERS¹

ORDERING CODE	PSB-100W-24VDC-2XK	PSB-2X100W-24VDC-2XK	PSB-3X100W-24VDC-2XK	PSB-4X100W-24VDC-2XK
SPECIFICATIONS				
MAXIMUM LOAD	100W	2X100W	3X100W	4X100W
INPUT VOLTAGE	120-277VAC	120-277VAC	120-277VAC	120-277VAC
OUTPUT VOLTAGE	24VDC	24VDC	24VDC	24VDC
DIMENSIONS	12.4" X 6.48" X 2.18"	14" X 10" X 3"	17" X 10" X 3"	17" X 10" X 3"
CLASSIFICATION	CLASS 2	CLASS 2	CLASS 2	CLASS 2
IN-WALL MOUNTING	PSB-100W-24VDC-2XK-IW	NA	NA	NA
DMX DYNAMIC/TUNABLE WHITE DIMMING & CONTROLS				
TUNABLE WHITE TOUCH CONTROLLER (CDMX1-2XK)	•	•	•	•

- Flicker free dimming
- Aluminum casing for optimal heat dissipation
- Isolated output power per NEC and UL safety requirements
- UL & ETL recognized/ listed, meets UL 8750, 1310 requirements
- Auto-reset; short circuit, overload and thermal protection
- Class 2 power supply
- Efficient, High power factor > 0.90

- The Solid State Constant Voltage Uni-Power Supply is compatible with most commercially available Dimmers:
 - Triac Dimmer: (Forward Phase) Typically used for the dimming of Incandescent and Low Voltage Magnetic Transformers
 - ELV Dimmer: (Reverse Phase) Dimming of Electronic Low Voltage Transformers and Power Supply's used for LED lighting
 - 0-10 Dimmer: Dims the Low Voltage side of a 0-10 volt power supply commonly used in large scale lighting or commercial applications.
- The Uni-Power Supply is recommended with any Siemens/Murray brand of arc fault breaker to overcome the issues with tripping the breakers with an ELV LED Low Voltage Drivers.

IN WALL MOUNTING OPTIONS



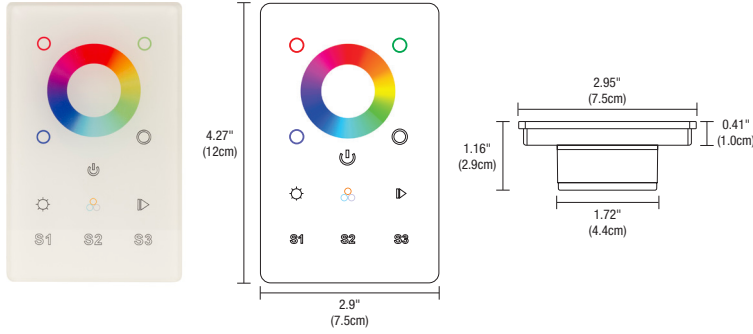
8.5 x 14 inch In-Wall Mounting Kit: Includes power supply, box cover and stud hangers for installing Junction Box in wall. Select "IW" in the options section of compatible power supply ordering codes if an In-Wall Mounting Kit is needed.

Ordering Codes: PSB-100W-24VDC-2XK-IW

PROJECT		FIXTURE TYPE		DATE	
---------	--	--------------	--	------	--

INDOOR DMX REMOTE POWER SUPPLIES

24VDC 1-ZONE DIMMER WITH DYNAMIC COLOR CHANGING DMX 512 PROTOCOL RGB AND RGBW



Description:

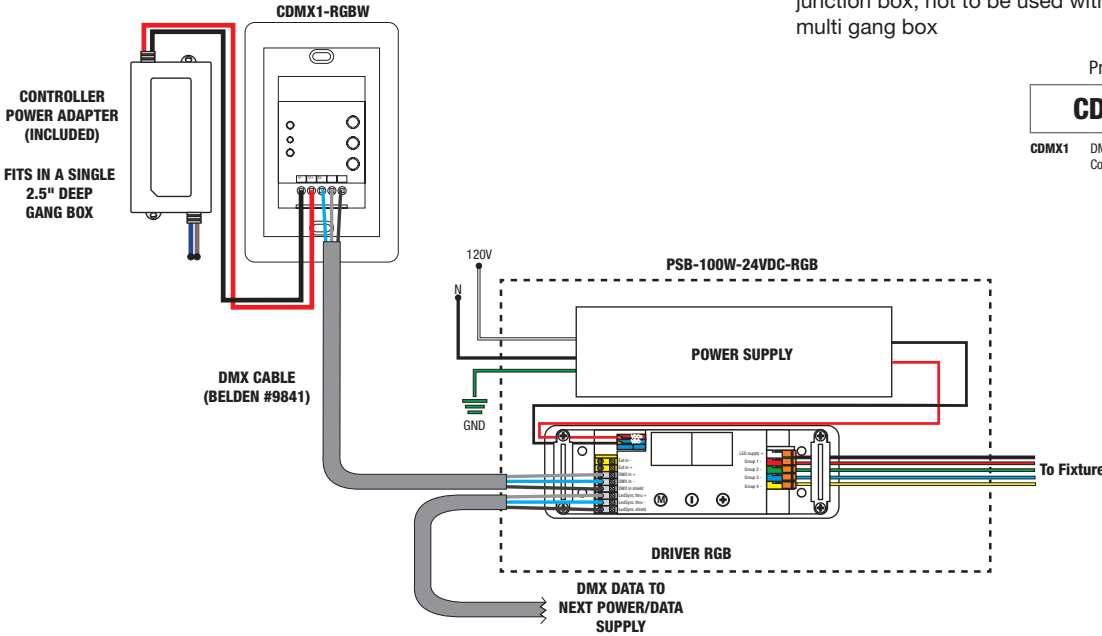
Full touch controller offers fast and accurate color tone adjustment and independent brightness control. The 1 zone controller can adjust RGB and RGBW LEDs smoothly and accurately. Independent smooth dimming of each channel enables the controller to achieve millions of colors. For indoor applications only, and includes a Power Adapter to operate the controller.

Applications:
Indoor

Power Input:
120-277VAC

Installation:
Fits in a single gang 2.5 inch deep junction box, not to be used with a multi gang box

Output Signal:
USITT DMX 512 (1990)

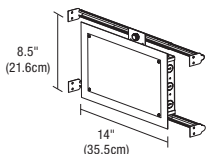


Product	Type	Finish
CDMX1	RGBW	WH
CDMX1 DMX 1 Zone Touch Controller	RGBW RGB & RGBW	WH White

DYNAMIC COLOR CHANGING (DMX) POWER SUPPLIES & RECOMMENDED CONTROLLERS

ORDERING CODE	PSB-100W-24VDC-RGB	PSB-2X100W-24VDC-RGB	PSB-3X100W-24VDC-RGB	PSB-4X100W-24VDC-RGB
SPECIFICATIONS				
MAXIMUM LOAD	100W	2X100W	3X100W	4X100W
INPUT VOLTAGE	120-277VAC	120-277VAC	120-277VAC	120-277VAC
OUTPUT VOLTAGE	24VDC	24VDC	24VDC	24VDC
DIMENSIONS	12.14" X 6.48" X 2.18"	14" X 10" X 3"	17" X 13" X 3"	17" X 13" X 3"
CLASSIFICATION	CLASS 2	CLASS 2	CLASS 2	CLASS 2
IN-WALL MOUNTING	PSB-100W-24VDC-RGB-IW	N/A	N/A	N/A
DIMMING & CONTROLS				
TOUCH SCREEN CONTROLLER (CTP)	•	•	•	•
COLOR DIAL CONTROLLER (CDP)	•	•	•	•
DMX 1 ZONE RGBW TOUCH CONTROLLER (CDMX1-RGBW)	•	•	•	•

Classification: UL2108 - * 24VDC over 100 Watts, wires must be in conduit from Remote Power Supply to J-box.



8.5" X 14" IN-WALL MOUNTING KIT

Includes Power Supply, Box Cover, and Stud Hangers for installing Junction Box in wall. Select "IW" in the options section of compatible Power Supply ordering codes if an In-Wall Mounting Kit is needed.

ORDERING CODES: PSB-100W-24VDC-RGB-IW

PROJECT		FIXTURE TYPE		DATE	
---------	--	--------------	--	------	--

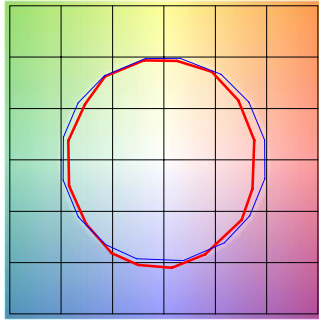
LIGHT CHANNEL TM30 DATA

24VDC LED DO-IT-YOURSELF DYNAMIC WHITE/TUNABLE WHITE, WARM DIM, RGB

TM-30-15 DATA: The data below is for SS2C, SS5C, and SS7C bare LED Soft Strips. Consistent color temperatures throughout a single strip and among multiple strips is possible through a 3 phase binning process in which each order is inspected with a color meter to ensure uniformity.

2200K | Rf: 83.9 | Rg: 94.9 | CRI: 85+

Color Vector Graphic

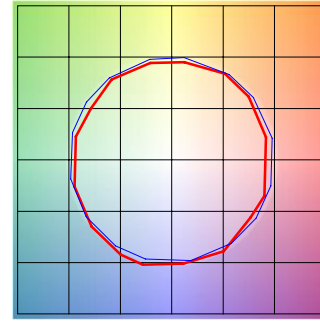


■ Test ■ Reference

HUE BIN	Rf	GRAPHIC SHIFTS %	
		CHROMA	HUE
1	7745	-10.0%	1.8%
2	80.7	-7.5%	7.0%
3	79.5	-2.9%	8.9%
4	90.5	-3.1%	2.4%
5	93.9	-1.3%	1.9%
6	91.9	-0.9%	-0.2%
7	8745	-6.3%	-2.7%
8	90.5	-5.4%	2.7%
9	83.8	-4.7%	6.5%
10	81.2	-2.5%	10.0%
11	83.3	3.9%	9.4%
12	86.4	545%	245%
13	86.2	4.5%	-12.4%
14	64.3	-1.0%	-21.9%
15	85.1	-4.4%	-7.5%
16	75.0	-9.9%	-12.0%

2700K | Rf: 87.7 | Rg: 96.1 | CRI: 95+

Color Vector Graphic

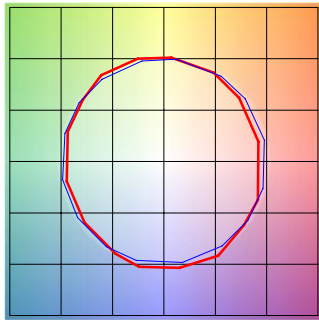


■ Test ■ Reference

HUE BIN	Rf	GRAPHIC SHIFTS %	
		CHROMA	HUE
1	86.4	-545%	2.3%
2	89.7	-3.3%	3.1%
3	90.5	-1.5%	3.8%
4	90.0	-4.3%	1.1%
5	92.9	-3.7%	0.2%
6	93.5	-2.5%	-0.8%
7	86.3	-7.2%	2.5%
8	90.7	-4.0%	3.2%
9	85.2	-2.4%	8.1%
10	81.7	0.9%	10.8%
11	85.4	4.5%	8.9%
12	88.7	5.7%	-1.4%
13	88.3	1.3%	-7.9%
14	85.1	2.4%	-10.4%
15	88.1	-4.8%	-2.7%
16	81.7	-4.3%	-10.9%

3000K | Rf: 88.1 | Rg: 99.7 | CRI: 95+

Color Vector Graphic

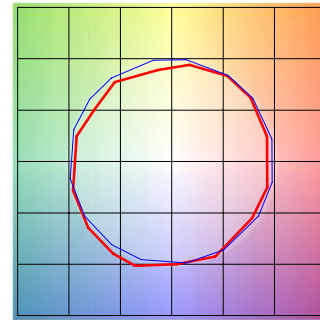


■ Test ■ Reference

HUE BIN	Rf	GRAPHIC SHIFTS %	
		CHROMA	HUE
1	87.7	-5.9%	-0.3%
2	87.9	-4.4%	4.3%
3	82.9	-1.2%	7.9%
4	89.9	045%	4.7%
5	92.7	3.0%	3.5%
6	92.7	345%	-1.7%
7	90.8	-1.3%	-4.4%
8	93.7	-2.5%	-2.2%
9	91.7	-3.7%	2.3%
10	85.5	-2.8%	7.8%
11	83.3	0.7%	11.0%
12	86.4	5.5%	3.8%
13	9045	445%	-345%
14	8545	5.9%	-8.4%
15	89.5	-045%	-5.7%
16	8245	-2.7%	-12.0%

3500K | Rf: 86.1 | Rg: 95.5 | CRI: 85+

Color Vector Graphic

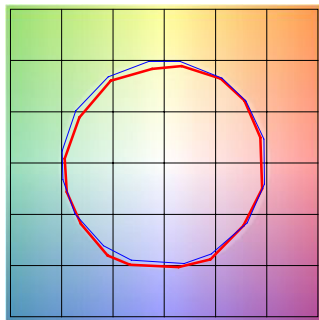


■ Test ■ Reference

HUE BIN	Rf	GRAPHIC SHIFTS %	
		CHROMA	HUE
1	8645	-4.2%	3.4%
2	91.7	-1.4%	1.8%
3	94.9	-0.7%	0.4%
4	87.9	-4.5%	-4.1%
5	85.9	-10.3%	-2.7%
6	89.8	-5.2%	-0.4%
7	7945	-9.5%	6.5%
8	8745	-4.0%	5.7%
9	81.4	-0.5%	11.8%
10	78.3	3.3%	11.4%
11	85.7	6.3%	6.1%
12	86.3	7.1%	-445%
13	86.1	-0.7%	-945%
14	85.1	0.8%	-10.4%
15	83.4	-4.1%	-5.3%
16	82.5	-345%	-5.7%

4000K | Rf: 8745 | Rg: 96.8 | CRI: 84

Color Vector Graphic

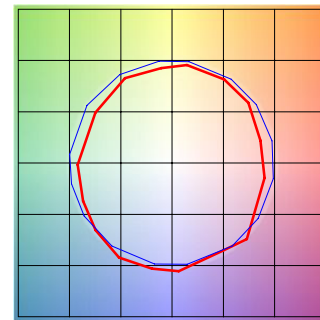


■ Test ■ Reference

HUE BIN	Rf	GRAPHIC SHIFTS %	
		CHROMA	HUE
1	89.0	-3.1%	2.1%
2	93.2	-0.9%	1.3%
3	94.3	-1.1%	0.7%
4	89.5	-4.0%	-2.3%
5	8745	-7.8%	-1.8%
6	92.2	-445%	0.1%
7	87.4	-645%	345%
8	85.7	-3.8%	7.0%
9	81.5	-1.3%	12.4%
10	80.0	0.9%	11.4%
11	83.3	5.9%	8.7%
12	89.7	4.8%	-0.3%
13	88.5	2.4%	-6.3%
14	92.7	4.0%	-3.8%
15	86.1	-145%	-4.5%
16	85.0	-1.4%	-5.0%

5700K | Rf: 80.3 | Rg: 91.5 | CRI: 84

Color Vector Graphic



■ Test ■ Reference

HUE BIN	Rf	GRAPHIC SHIFTS %	
		CHROMA	HUE
1	73.8	-11.2%	245%
2	83.7	-5.5%	5.8%
3	84.2	-4.0%	5.5%
4	85.8	-3.5%	1.3%
5	85.3	-7.1%	045%
6	89.2	-5.8%	-2.2%
7	81.5	-10.7%	1.2%
8	75.7	-9.7%	8.5%
9	74.9	-7.8%	18.8%
10	67.8	-145%	18.0%
11	76.1	5.5%	12.0%
12	90.8	4.9%	-145%
13	8345	5.0%	-9.5%
14	81.7	-1.2%	-10.0%
15	69.0	2.0%	-22.8%
16	83.2	-8.5%	-1.0%

PROJECT	FIXTURE TYPE	DATE
---------	--------------	------

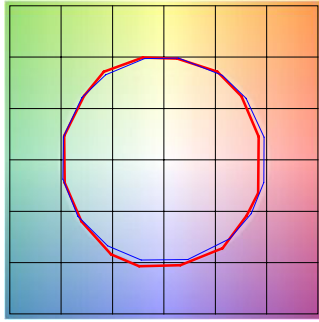
LIGHT CHANNEL TM30 DATA

24VDC LED DO-IT-YOURSELF DYNAMIC WHITE/TUNABLE WHITE, WARM DIM, RGB

TM-30-15 DATA: The data below is for SS2C, SS5C, and SS7C bare LED Soft Strips. Consistent color temperatures throughout a single strip and among multiple strips is possible through a 3 phase binning process in which each order is inspected with a color meter to ensure uniformity.

2700D | Rf: 89.5 | Rg: 100.8 | CRI: 95+

Color Vector Graphic

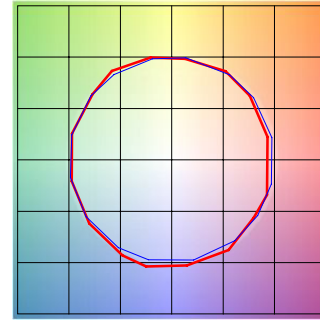


■ Test ■ Reference

HUE BIN	Rf	GRAPHIC SHIFTS %	
		CHROMA	HUE
1	88.8	-5.1%	1.4%
2	89.8	-2.7%	4.1%
3	87.2	0.3%	5.9%
4	92.3	-0.9%	1.0%
5	93.3	1.5%	1.7%
6	92.4	345%	-0.2%
7	92.2	-0.9%	-2.4%
8	96.7	-0.4%	-1.1%
9	92.3	-1.2%	3.7%
10	88.9	-0.0%	6.1%
11	86.4	5.1%	7.4%
12	88.2	6.3%	-0.9%
13	87.2	3.8%	-8.1%
14	84.2	3.8%	-11.0%
15	89.8	-245%	-4.3%
16	82.7	-3.4%	-11.1%

3000D | Rf: 89.8 | Rg: 101.4 | CRI: 95+

Color Vector Graphic

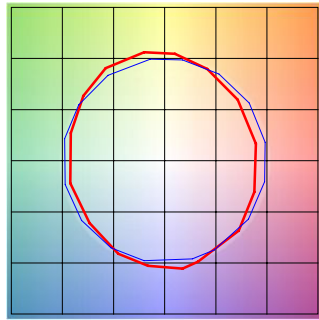


■ Test ■ Reference

HUE BIN	Rf	GRAPHIC SHIFTS %	
		CHROMA	HUE
1	90.2	-4.2%	1.5%
2	90.9	-2.0%	3.7%
3	87.9	0.8%	5.5%
4	92.1	-0.9%	045%
5	93.0	1.5%	145%
6	92.2	3.9%	-0.2%
7	92.1	-0.3%	-2.0%
8	96.7	0.0%	-1.2%
9	92.5	-045%	3.7%
10	88.3	1.1%	7.0%
11	87.2	4.1%	7.4%
12	87.2	6.7%	-1.0%
13	88.2	3.8%	-7.2%
14	85.3	4.3%	-9.9%
15	90.9	-2.2%	-345%
16	83.4	-2.2%	-11.2%

2000K only (2K4K) | Rf: 82.8 | Rg: 99.3 | CRI: 86

Color Vector Graphic

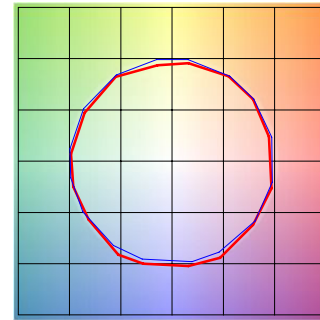


■ Test ■ Reference

HUE BIN	Rf	GRAPHIC SHIFTS %	
		CHROMA	HUE
1	80.1	-9.2%	0.3%
2	77.4	-7.4%	9.0%
3	74.5	-2.3%	12.4%
4	85.3	4.5%	845%
5	89.9	7.9%	4.5%
6	88.3	7.2%	-1.8%
7	83.5	1.1%	-10.0%
8	87.1	-4.9%	-6.7%
9	88.3	-5.3%	-0.0%
10	8445	-5.1%	6.4%
11	84.3	1.0%	9.1%
12	84.2	4.1%	4.7%
13	85.8	7.4%	-11.4%
14	60.8	045%	-1945%
15	77.8	-145%	-14.7%
16	78.1	-7.8%	-11.5%

4000K only (2K4K) | Rf: 8945 | Rg: 99.1 | CRI: 87

Color Vector Graphic

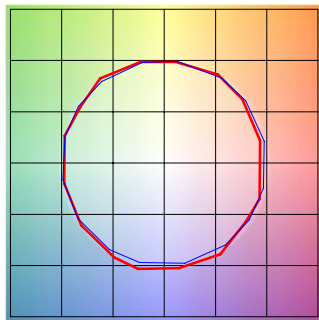


■ Test ■ Reference

HUE BIN	Rf	GRAPHIC SHIFTS %	
		CHROMA	HUE
1	91.3	-2.5%	1.0%
2	95.3	-0.5%	0.5%
3	94.3	-0.7%	1.1%
4	91.1	-3.4%	-1.1%
5	89.5	-545%	0.0%
6	9445	-1.4%	1.3%
7	93.2	-3.0%	245%
8	91.3	-1.8%	445%
9	86.5	-0.9%	9.1%
10	83.3	-0.5%	9.5%
11	83.3	4.9%	9.0%
12	89.7	4.1%	1.7%
13	90.1	345%	-4.3%
14	93.4	5.2%	-2.1%
15	87.4	0.4%	-4.3%
16	8645	0.4%	-6.1%

2K4K (3000K) | Rf: 90.2 | Rg: 101.4 | CRI: 90+

Color Vector Graphic



■ Test ■ Reference

HUE BIN	Rf	GRAPHIC SHIFTS %	
		CHROMA	HUE
1	90.9	-3.8%	1.3%
2	91.7	-1.9%	3.3%
3	88.7	0.7%	5.1%
4	92.4	-1.0%	0.7%
5	92.9	0.9%	1.7%
6	93.1	3.3%	-045%
7	91.0	-1.8%	-0.4%
8	97.0	0.2%	-1.1%
9	92.8	-0.5%	345%
10	88.3	1.0%	7.0%
11	87.1	3.8%	7.8%
12	8745	6.5%	-0.3%
13	89.3	345%	-6.3%
14	86.1	4.5%	-9.1%
15	9145	-1.9%	-3.1%
16	83.8	-1.5%	-11.2%

PROJECT	FIXTURE TYPE	DATE
---------	--------------	------