



1718 W. Fullerton Chicago, IL 60614
 Ph: 773.770.1195 • Fax: 773.935.5613
 www.PureEdgeLighting.com • info@PureEdgeLighting.com
 © 2016 PureEdge Lighting. All Rights Reserved.

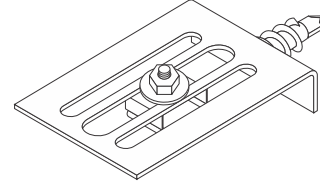
Installation Instructions for Light Channel 90° Mounting Bracket

LCM-MCL-90

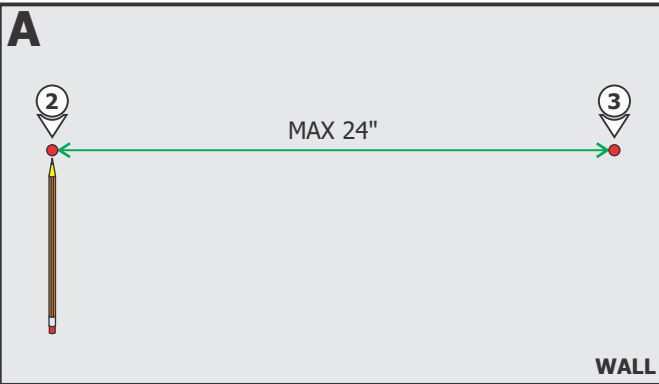
IMPORTANT INFORMATION

- This product should be used with DIY and Complete Light Channel fixtures.

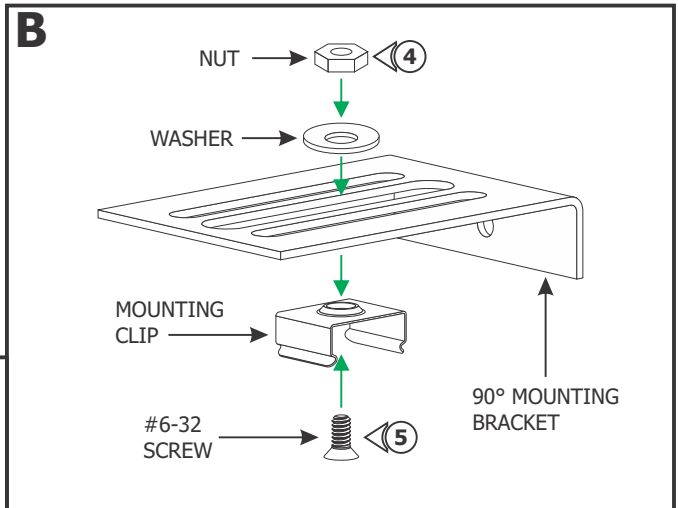
SAVE THESE INSTRUCTIONS!



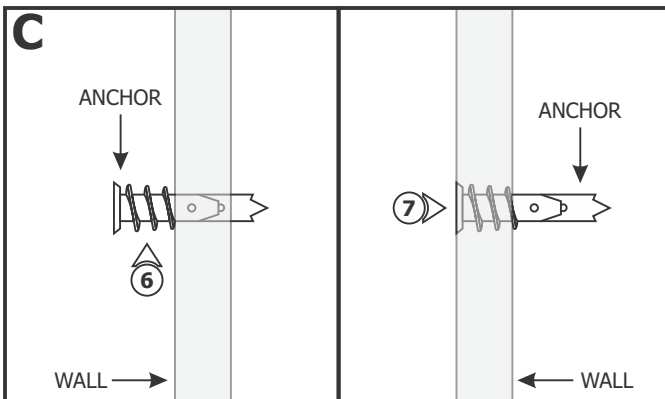
Install the Mounting Bracket



- 1: Determine how many mounting clips are included with the Light Channel product. Note that the number of mounting clips vary based on channel length.
- 2: Determine the location of the Light Channel on the wall.
- 3: Mark the location of each mounting bracket evenly on a straight line. Mounting brackets must be maximum 24" apart from each other.

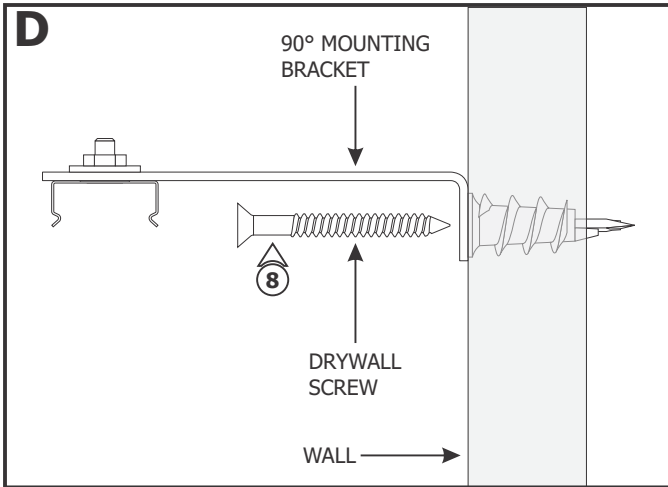


- 4: Place the nut, washer and mounting bracket over the mounting clip.
- 5: Insert and tighten the #6-32 screw through the mounting clip, mounting bracket, washer and nut.

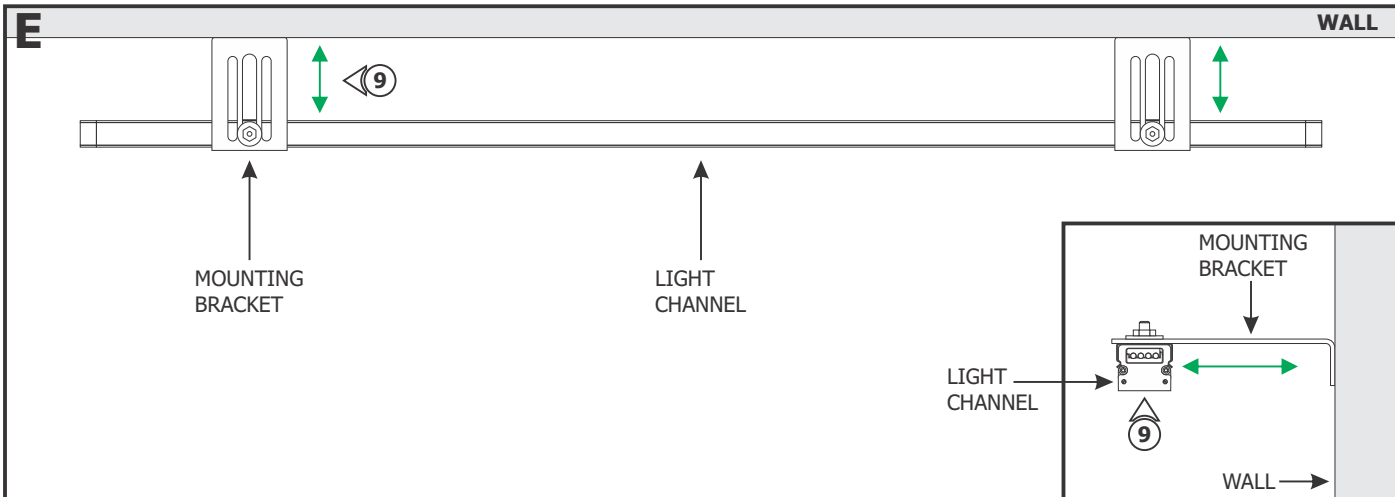


NOTE: Steps 6 and 7 are for drywall mounting. Omit these steps if mounting the clips to a wood surface directly.

- 6: Tap the anchors onto the marked locations up to the threaded portion with a hammer.
- 7: Screw in the threaded portion of the anchor with a Phillips screwdriver.



8: Install the assembled brackets to the drywall anchors with the provided #8 drywall screws.



9: Align the Light Channel with the mounting clips. Carefully snap the Light Channel onto the mounting clips. The channel can be adjusted towards or away from the wall up to 2".