



1718 W. Fullerton Chicago, IL 60614
 Ph: 773.770.1195 • Fax: 773.935.5613
 www.PureEdgeLighting.com • info@PureEdgeLighting.com
 © 2016 PureEdge Lighting. All Rights Reserved.

Installation Instructions for Surface Mount Light Channel, 24VDC Wet Location

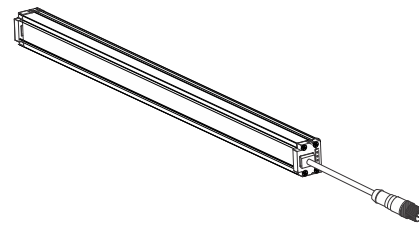
LCSM-24V-__-W



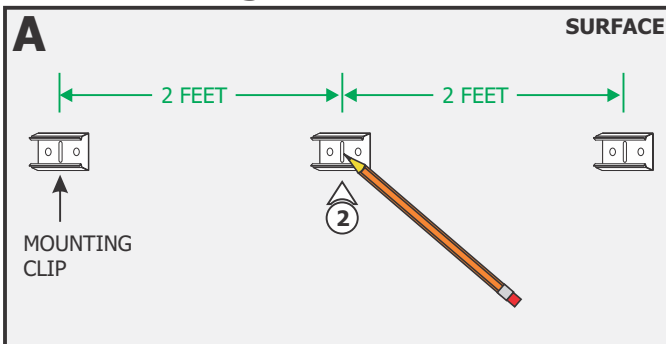
IMPORTANT INFORMATION

- This instruction shows a typical installation.
- This product is ETL listed for outdoor wet location.

SAVE THESE INSTRUCTIONS!



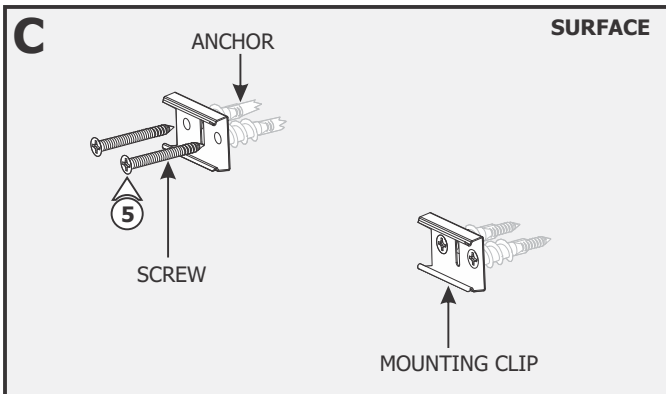
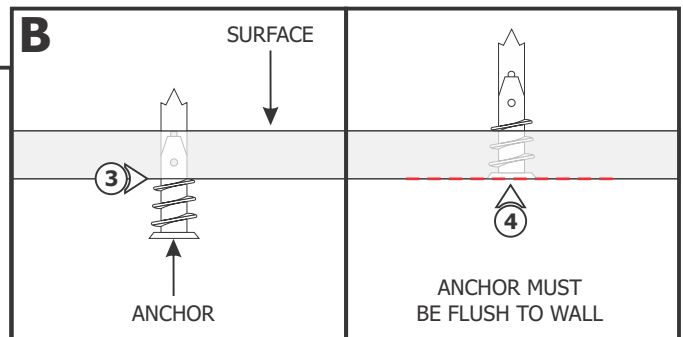
Install the Light Channel



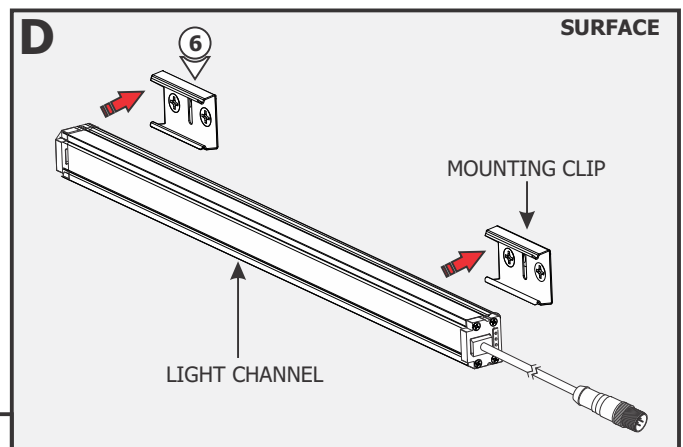
- 1: Determine the location for the Light Channel.
- 2: Place the clips on the surface every 2' (measure from the center of the slot of the mounting clip) and mark the screw locations.

NOTE: Step 3 and 4 are for drywall mounting. Omit these steps if mounting the clips to a wood surface directly. **ANCHORS ARE NOT PROVIDED.**

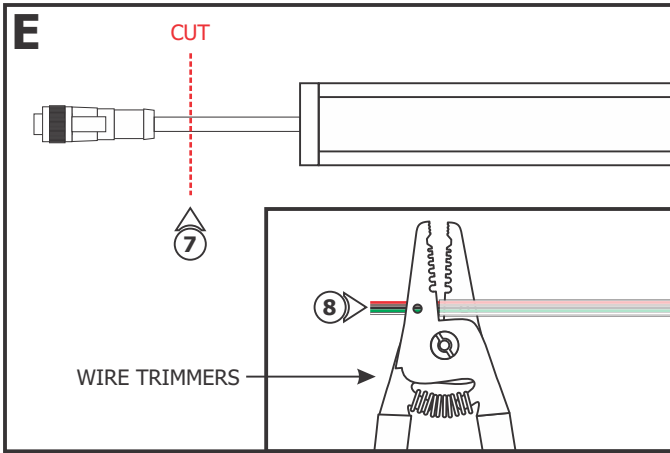
- 3: Tap the anchors onto the marked locations up to the threaded portion with a hammer.
- 4: Screw in the threaded portion of the anchors with a Phillips screwdriver.



- 5: Line up the mounting clips to the anchors and secure it to the anchors by tightening the two #8-32 screws to each clip.



- 6: Snap each Light Channel into the spring clips.



7: Cut the end of the power cord that is going to be connected to power and discard the unused connector.

8: Use AWG wire trimmers to remove the outer insulation from wire harness where electrical connection will be made.

NOTE: Outdoor electrical connections must be made inside a waterproof junction box or using waterproof wire nut connections.

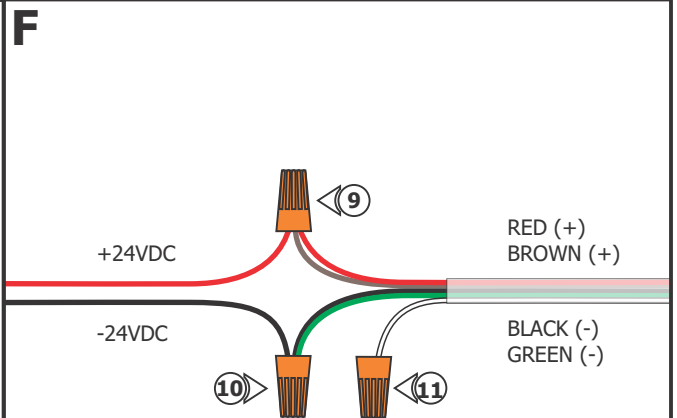
NOTE: Depending on the rated wattage of the individual fixtures, the fixtures would share a power supply or be powered individually. When sharing a power supply among fixtures, make sure they are connected in parallel to the output of the power supply.

9: Connect the red and brown wires of the LED strip to the +24VDC wire of the power supply with a wire nut.

10: Connect the black and green wires of the LED strip to the -24VDC wire of the power supply with a wire nut.

11: Cap the white wire end with a wire nut. The white wire is not used.

12: Refer to the wiring diagram below and the instructions provided with the power supply to complete the installation.



General Wiring Diagram

