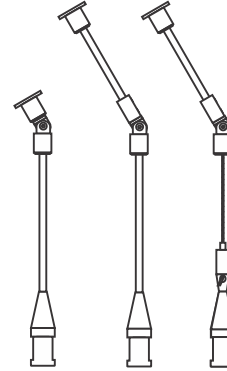


Installation Instructions for Monorail Sloped Ceiling Standoffs

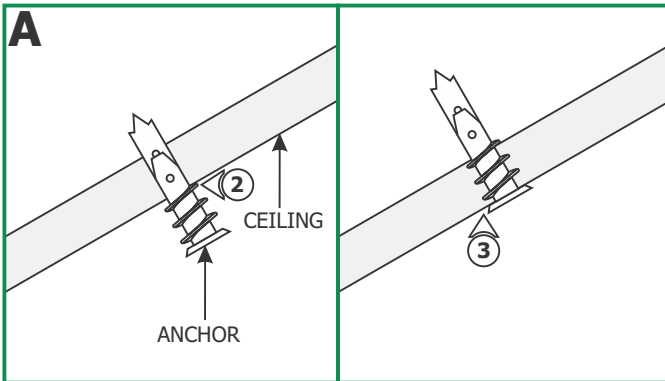
IMPORTANT INFORMATION

- This product is ETL listed for indoor dry locations.
- The product is intended to be used with Edge Lighting Monorail systems only.
- Use Monorail standoffs where the Monorail sections join together and approximately every 3 feet max throughout the Monorail run.

SAVE THESE INSTRUCTIONS!

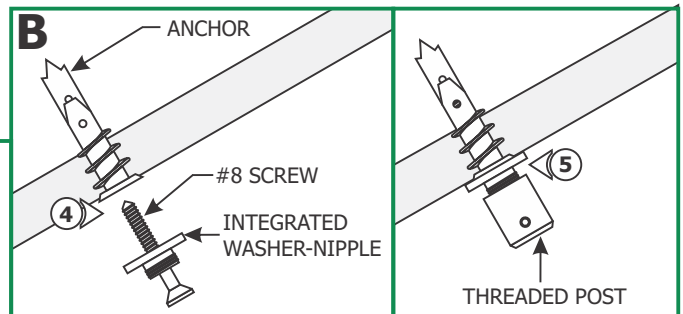


Install the Standoff Hardware

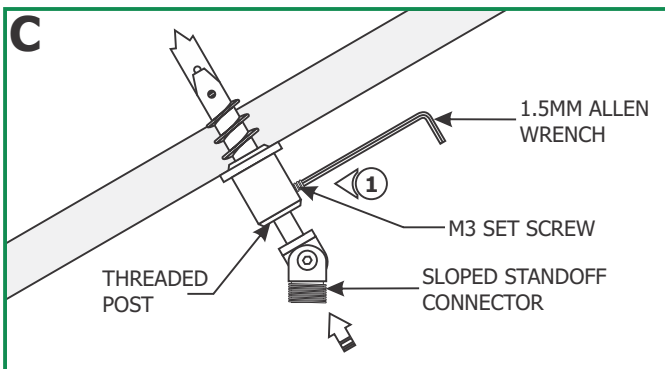


- 1:** Hold the Monorail section against the ceiling or use a plumb bob to mark the sloped standoff locations onto the ceiling (this may require more than one person).
- 2:** Tap the anchors onto the marked locations up to the threaded portion with a hammer.
- 3:** Screw the threaded portion of the anchors in with a Phillips screwdriver.

- 4:** Mount the integrated washer-nipple to the anchor with the #8 screw provided.
- 5:** Tighten the threaded post completely onto the integrated washer-nipple.

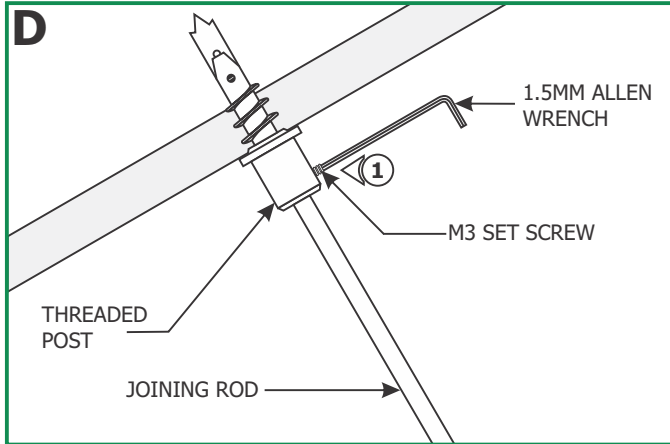


Sloped Standoff Connector Installation for Monorail Power Feed Canopies



- 1:** Push the sloped standoff connector completely into the threaded post and tighten the M3 set screw with the 1.5mm Allen wrench.

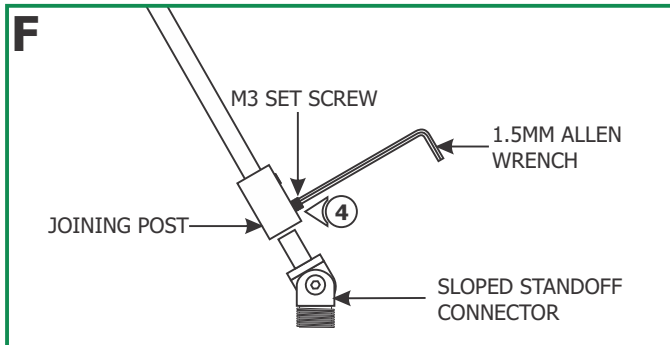
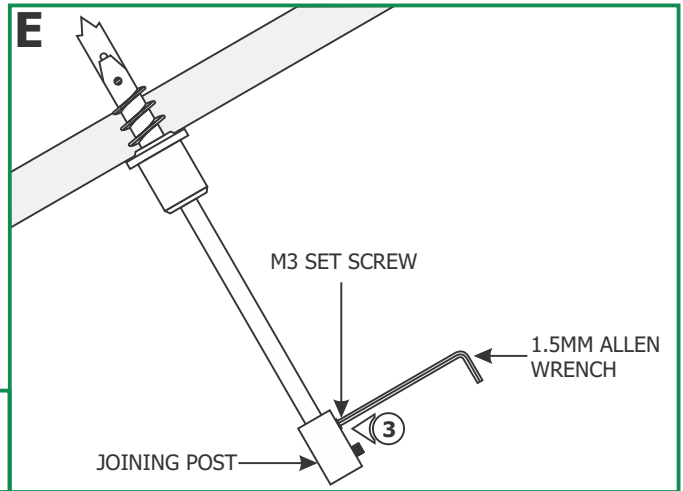
Sloped Standoff Connector Installation for Surface Transformer



- 1:** See the chart below to determine the joining rod size.
- 2:** Push the joining rod completely into the threaded post and tighten the M3 set screw with the 1.5mm Allen wrench.

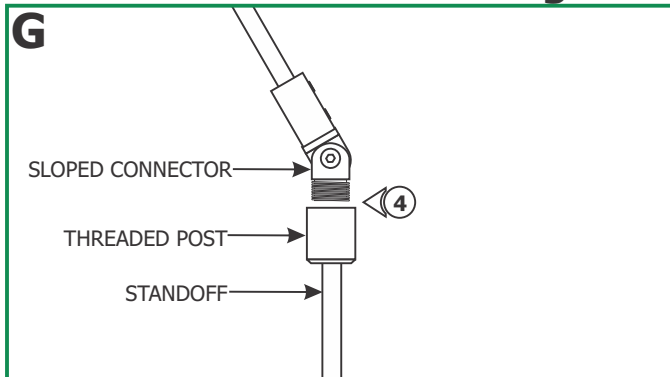
Transformer Type	Model Number	Joining Rod Size
150 Watt	MT-150-	3"
300 Watt	MT-300-	3.4"
600 Watt	MT-600-	3.7"

- 3:** Push the joining post half way onto the other end of the joining rod and tighten the M3 set with the 1.5mm set screw.

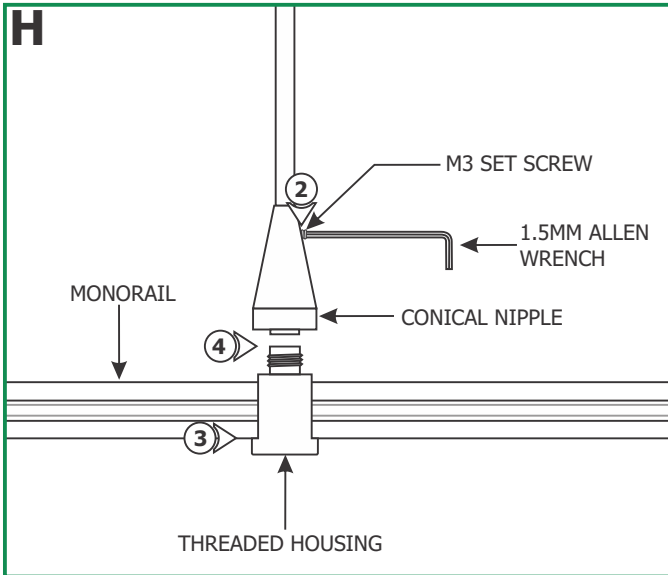


- 4:** Push the sloped standoff connector completely into the joining post and tighten the M3 set screw with the 1.5mm Allen wrench.

Install the Monorail to Rigid Standoff

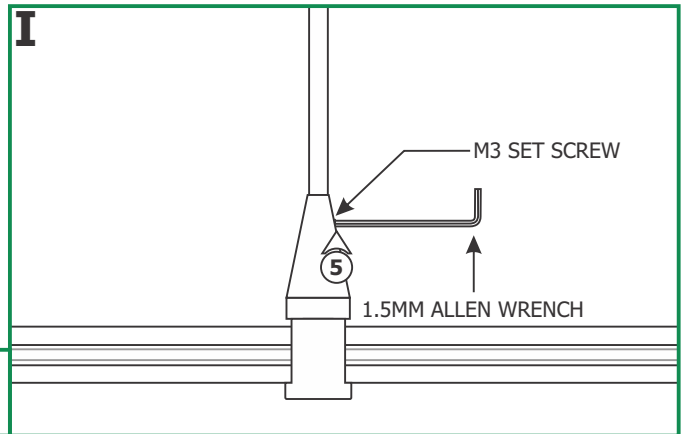


- 1:** Tighten the rigid standoff completely onto the sloped connector threaded post.

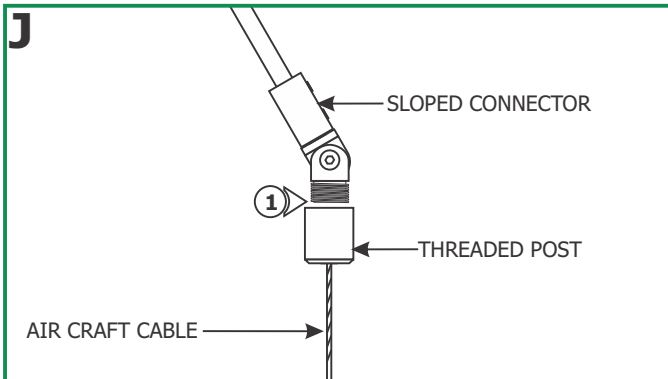


- 2:** Slightly loosen the M3 set screw on the conical nipple of each of the standoffs with the 1.5mm Allen wrench so that the conical nipples can rotate easily.
- 3:** Place the Monorail into the threaded housings (this may require more than one person).
- 4:** Tighten the threaded housings to the conical nipples (this may require more than one person). **Make sure threaded housings are not cross threaded.**

- 5:** Tighten the M3 set screw on the conical nipples with the 1.5mm Allen wrench.

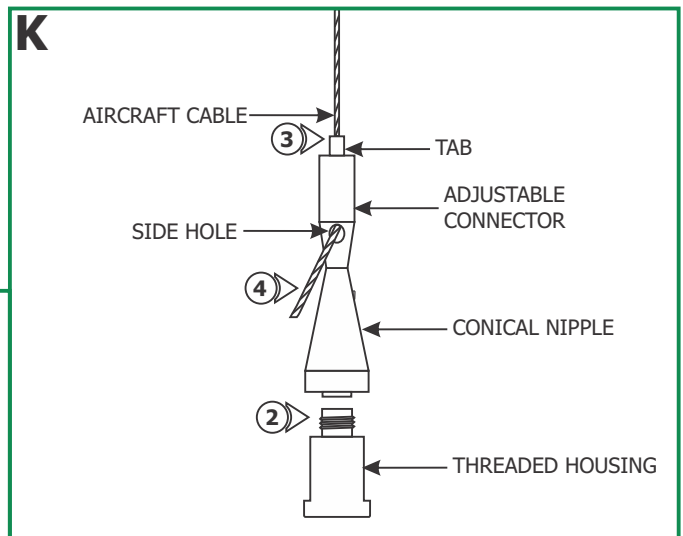


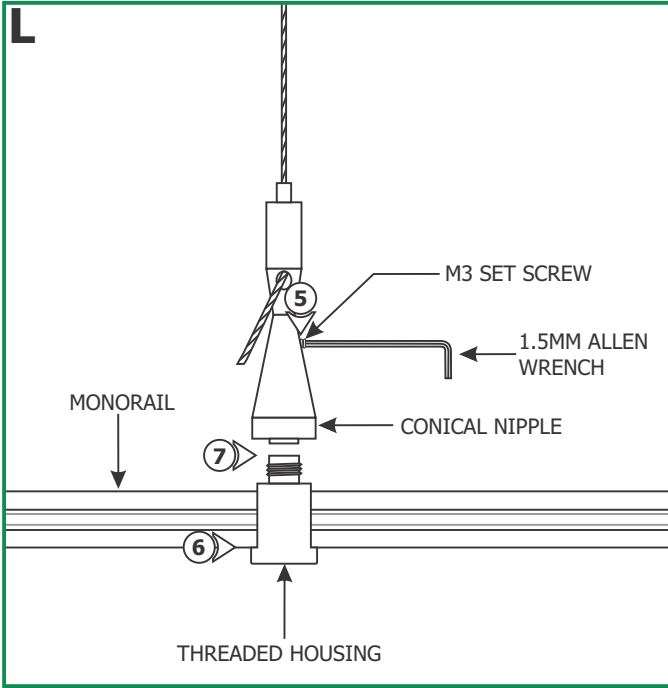
Mounting the Monorail to Adjustable Standoff



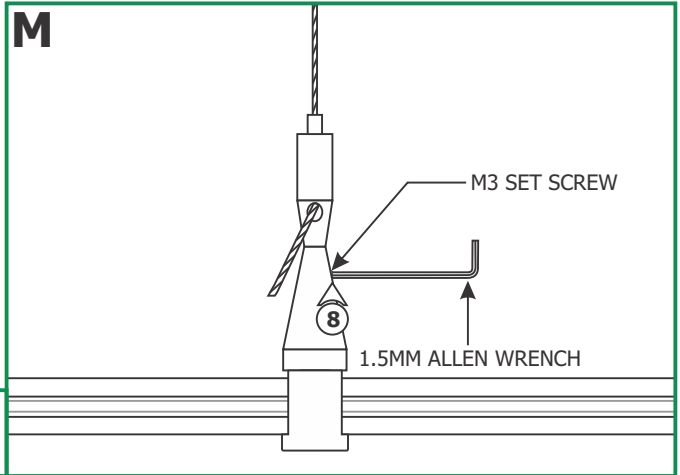
- 1:** Tighten the adjustable standoff threaded post completely onto the sloped connector threaded nipple.

- 2:** Remove the threaded housings from the conical nipples.
- 3:** Push the tab on the adjustable connector and feed the aircraft cable through the top of the tab.
- 4:** Pull the aircraft cable coming out of the side of the adjustable connector. Release the tab to lock the adjustable connector in place.

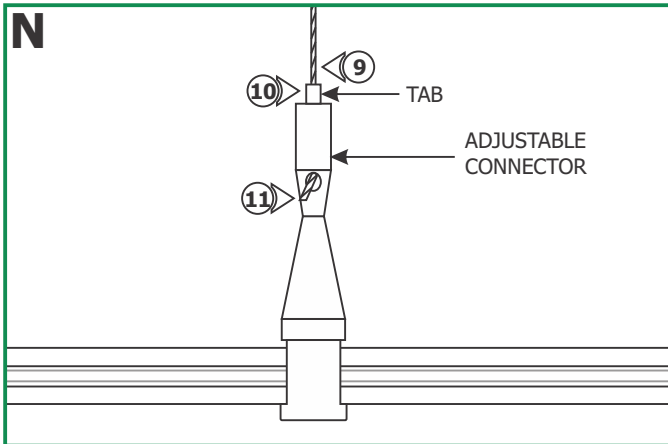




- 5:** Slightly loosen the M3 set screw on the conical nipple of each of the standoffs with the 1.5mm Allen wrench so that the conical nipples can rotate easily.
- 6:** Place the Monorail into the threaded housings (this may require more than one person).
- 7:** Tighten the threaded housings to the conical nipples (this may require more than one person). **Make sure threaded housings are not cross threaded.**

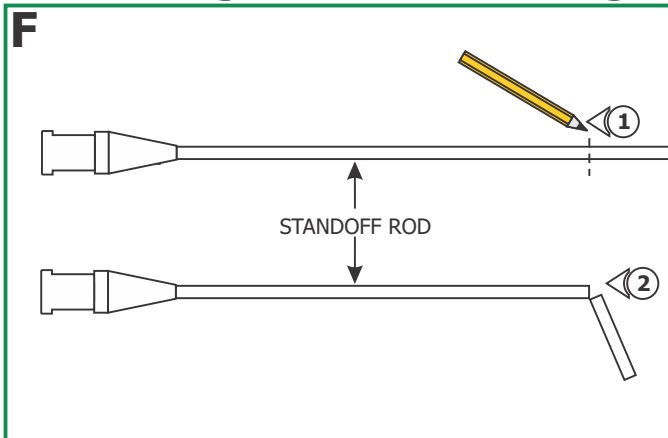


- 8:** Tighten the M3 set screw on the conical nipples with the 1.5mm Allen wrench.



- 9:** To adjust the standoff height, hold the end of the aircraft cable while pushing the tab on the adjustable connector down and sliding the standoff up or down.
- 10:** When desired height is achieved release the tab to lock the adjustable standoff in place.
- 11:** Trim off excess aircraft cable coming out of the adjustable connector side hole for a neat finished look.

Shortening the Standoff Height (Optional)



- 1:** From the end of the standoff rod, marked the rod to the amount that need to be shorten. For example to resize a 24" standoff to 17", mark 7" from end of the standoff rod.
- 2:** Using a hacksaw cut the marked section.
- 3:** Clean the burrs of the cut section.
- 4:** Repeat steps 1 through 3 for all standoffs. Make sure that all standoff heights match after resizing them.
- 5:** Follow steps 6 through 11 on "Install the Standoffs" to complete the installation.