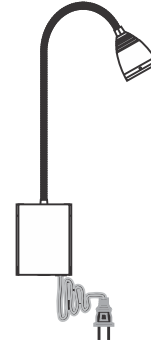


Installation Instructions for Night Owl 3 (Plug-In Version)

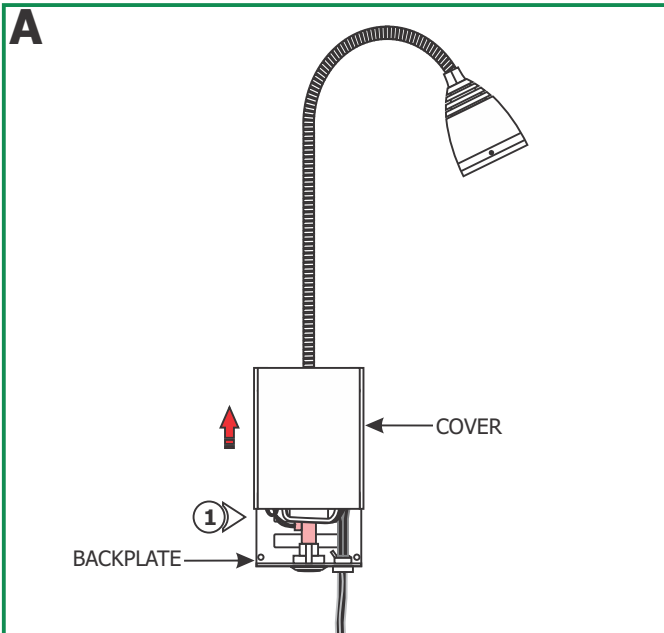
IMPORTANT INFORMATION

- This product is ETL listed for indoor locations.
- This product is for wall mount application.
- This instruction shows a typical installation.

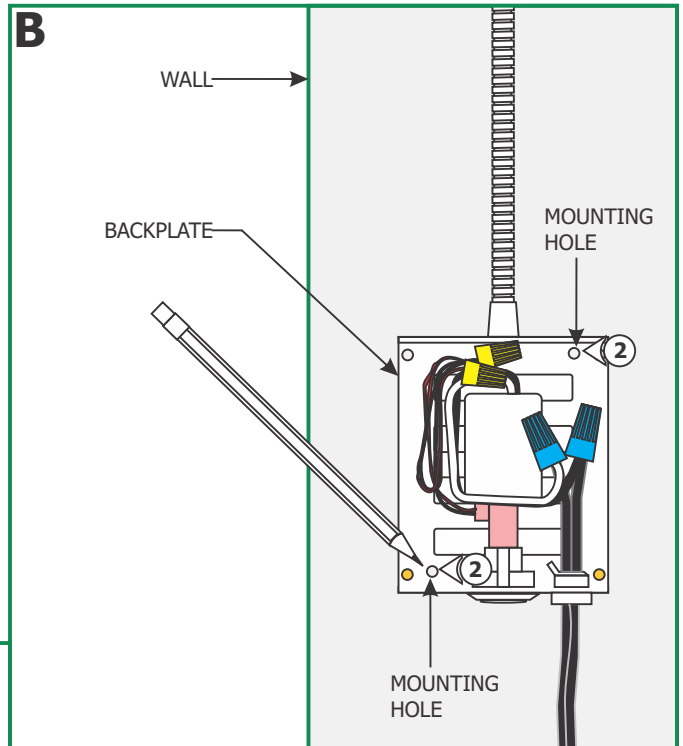
SAVE THESE INSTRUCTIONS!



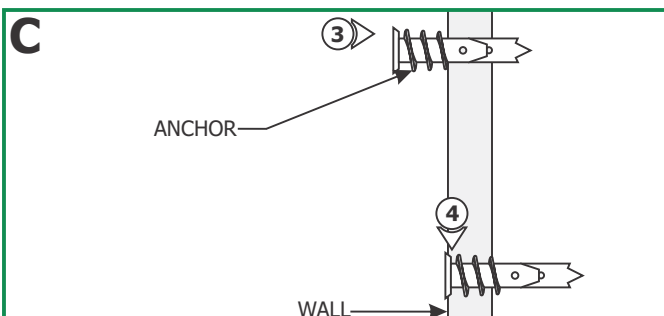
Install the Fixture



1: Remove the cover by sliding it up and then off the backplate.



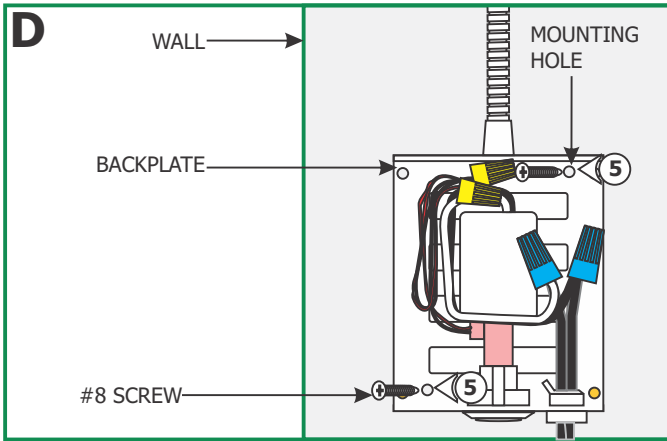
2: Hold the backplate against the surface where the fixture is going to be mounted. Level the backplate vertically and mark the two mounting holes on the surface.



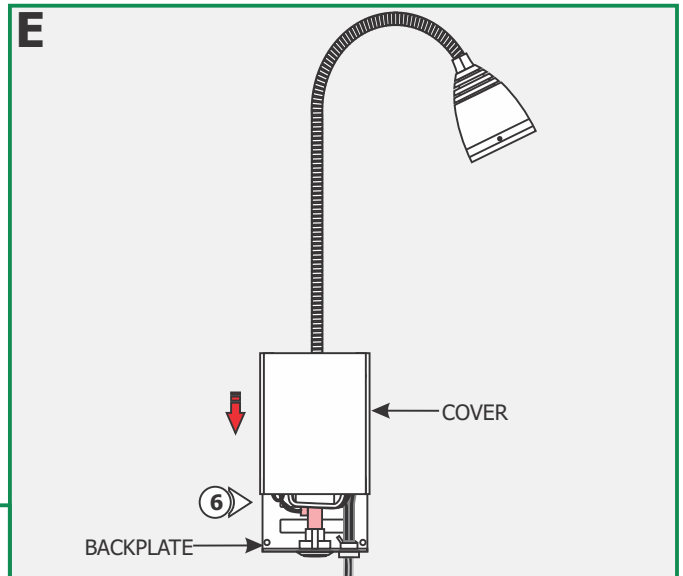
NOTE: Omit steps 3 to 5 if installing the fixture onto a surface other than drywall like bedroom wood board. Use the provided screws to mount the backplate directly to the wood board.

3: Tap the anchors onto the marked points into the wall up to the threaded portion with a hammer.

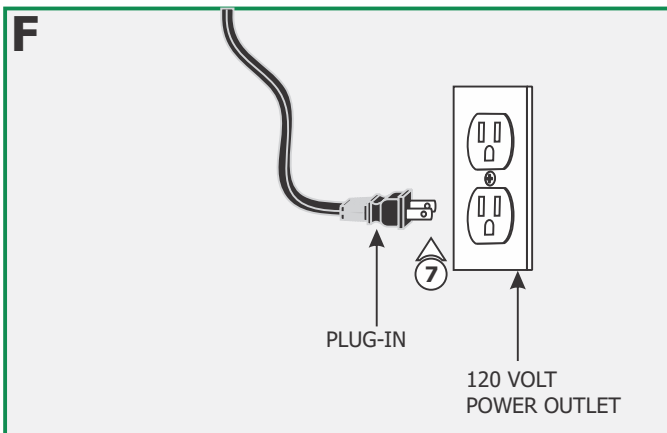
4: Screw the threaded portion of the anchors in with the a Phillips screwdriver.



5: Mount the backplate to the anchors with the two #8 screws.



6: Replace and slide the cover down completely onto the backplate.



7: Plug the power supply into the 120 volt power outlet.

8: Use the rocker switch on the bottom of the backplate to control intensity of the light.

9: Rotate the front ring on the fixture head to adjust the beam spread to either a spot or flood.

NOTE: Rotate the front ring on the fixture head clockwise for a flood beam or counterclockwise for a spot beam.

NOTE: The fixture contains a **3 Watt** integrated LED lamp. This lamp is rated for 50,000 hours.

