

NIGHT OWL 3

Rev. 12/21/17

DESIGNED BY GREGORY KAY | MADE IN USA



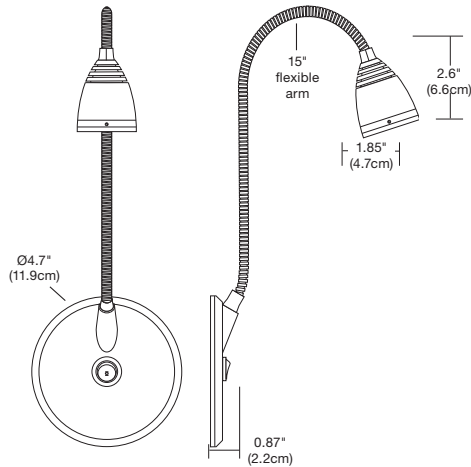
NIGHT3-BZ



NIGHT3-WH



NIGHT3-SN-P



Description:

The Night Owl 3 features a rotating lens to modify the beam angle from 10 degrees to 30 degrees, as well as a high/low switch for bi-level light control. It is designed for those who enjoy reading late at night but do not want to disturb others. The 15" gooseneck arm allows the lamp to be easily positioned in any direction. Available in plug-in and canopy versions, the fixture is rated for 100-240 VAC, 50/60 Hz and includes a 5 year warranty.

Finish:

Satin Nickel, Antique Bronze or White

Lamp Specification:

3.8 Total Watts (LED and power supply), 12VAC **LED**, 3070K, 80 CRI, 55 total lumens (high setting); 70% lumen maintenance based on 50,000 hours of operation

Dimming:

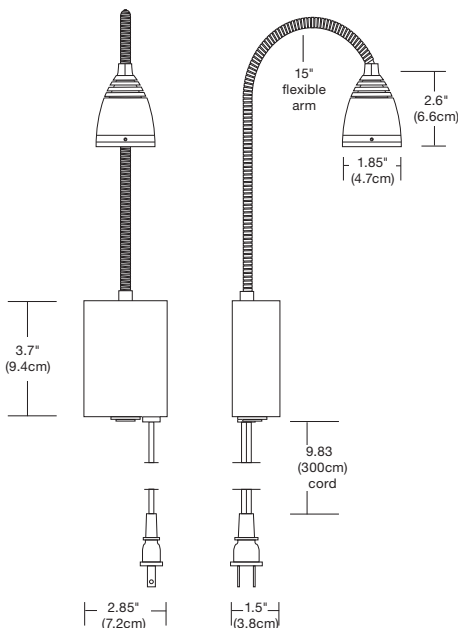
Bi-Level light control with high (100%)/ low (30%) switch

Accessories:

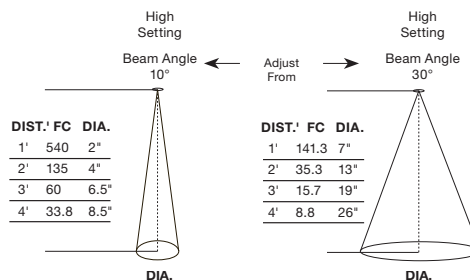
Cord Cover COCV-5-WH, 40" self-sticking electrical wire cover 1/2" wide

Weight:

3 lb (1.4 kg)



System	Finish	Type
NIGHT3	SN	LEAVE BLANK FOR STANDARD CANOPY
NIGHT3 Night Owl 3	BZ Antique Bronze SN Satin Nickel WH White	P Plug In (120-12V) transformer with 10 ft. long cord



PROJECT	FIXTURE TYPE	DATE
---------	--------------	------