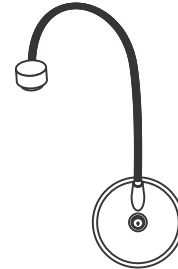


Installation Instructions for Night Owl

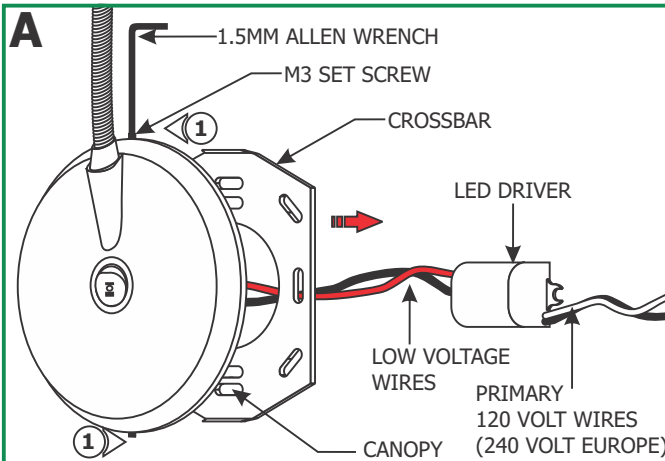
IMPORTANT INFORMATION

- This product is ETL listed for indoor locations.
- This product is for wall mount application.
- This instruction shows a typical installation for indoor.

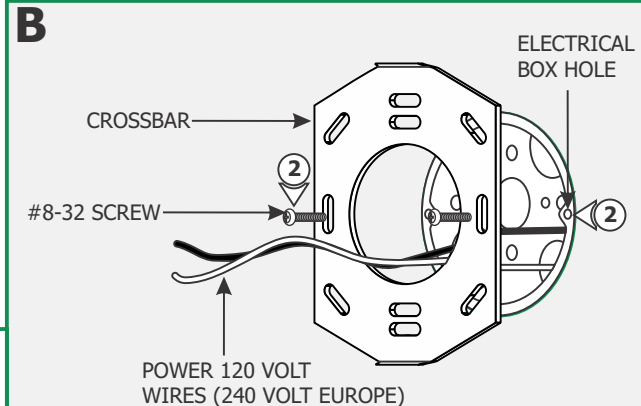
SAVE THESE INSTRUCTIONS!



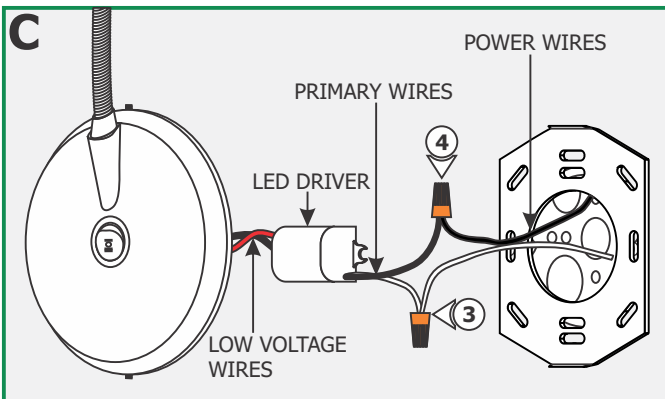
Install the Fixture



- 1:** Loosen (**Do Not Remove**) the two M3 set screws on top and bottom of the canopy with the 1.5mm Allen wrench provided. Carefully remove the crossbar.



- 2:** Line up the crossbar slots with the electrical box holes, and secure it in place by tightening the two #8-32 screws provided.



- 3:** Connect the LED driver white primary wire to the neutral power wire with a wire nut.
- 4:** Connect the LED driver black primary wire to the hot power wire with a wire nut.

- 5:** Place the LED driver and wires inside the electrical box.

- 6:** Slide the canopy onto the crossbar and secure it in place by tightening the two M3 set screws with the 1.5mm Allen wrench.

NOTE: The fixture contains a **1 Watt** integrated LED lamp. This lamp is rated for 50,000 hours.

- 7:** Use the switch to control the lamp intensity.

