



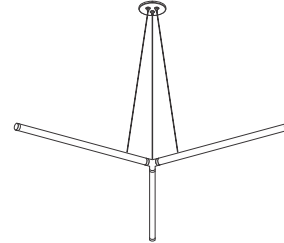
1718 W. Fullerton Chicago, IL 60614  
 Ph: 773.770.1195 • Fax: 773.935.5613  
 www.PureEdgeLighting.com • info@PureEdgeLighting.com  
 © 2016 PureEdge Lighting. All Rights Reserved.

# Installation Instructions for Pipeline 1 MIYO Y LED Suspension with Power P1SD\_P-Y-C\_

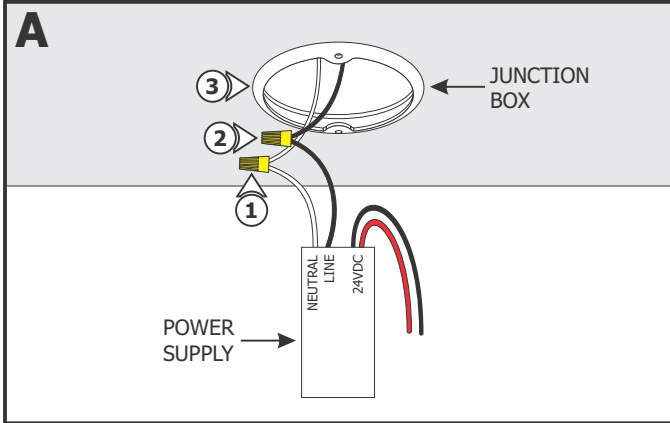
## IMPORTANT INFORMATION

- This product is suitable for indoor locations.
- This instruction shows a typical installation.
- The luminaire either comes with a 4" flush canopy for the fixtures up to 50W or with an 8" round surface mount canopy for greater than 50W.

**SAVE THESE INSTRUCTIONS!**



## Section One: 4" Flush Canopy

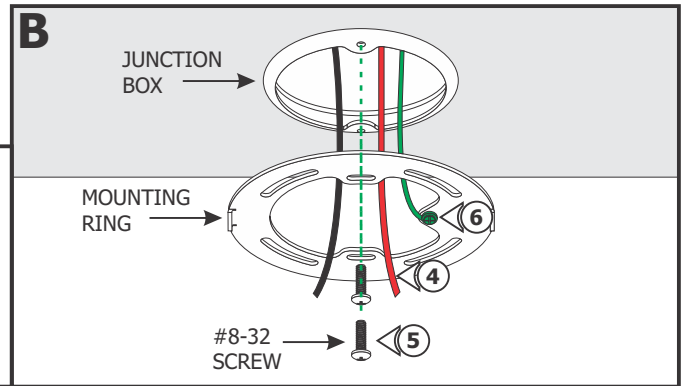


**NOTE:** Before beginning any electrical work, ensure that power to the junction box is turned off.

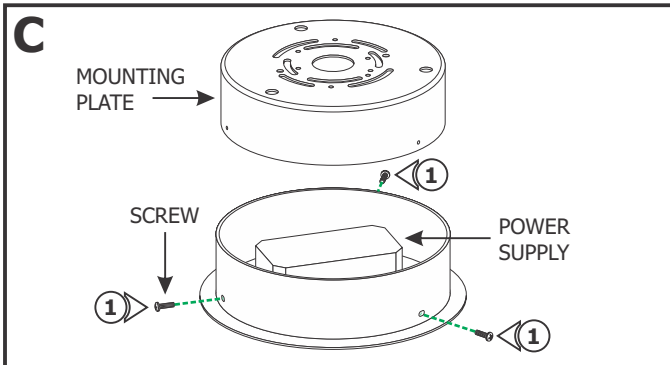
**NOTE:** Omit this section if using the 8" Surface Mount Canopy. Refer to Section Two.

- 1:** Connect the white wire of the power supply to the 120VAC neutral wire with a wire nut.
- 2:** Connect the black wire of the power supply to the 120VAC line wire with a wire nut.
- 3:** Place the power supply and wires inside the junction box.

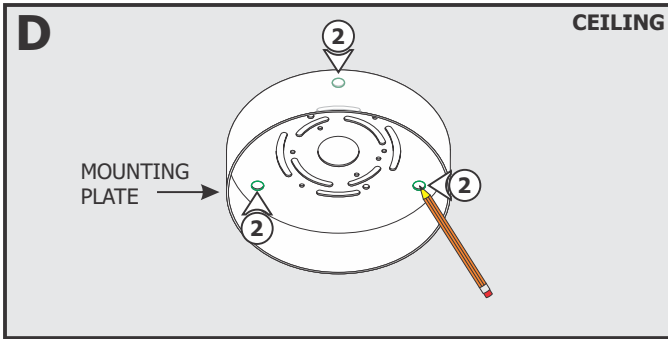
- 4:** Feed the low voltage wires from the power supply through the center hole of the mounting ring.
- 5:** Mount the ring to the junction box holes with two #8-32 screws.
- 6:** Make sure that the mounting ring is grounded in accordance with local electrical codes.



## Section Two: 8" Surface Mount Canopy

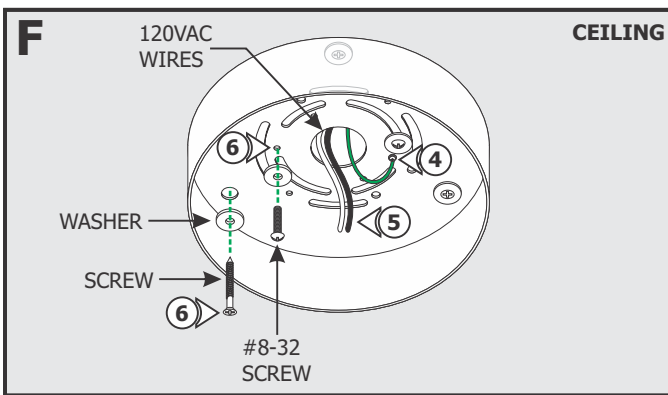
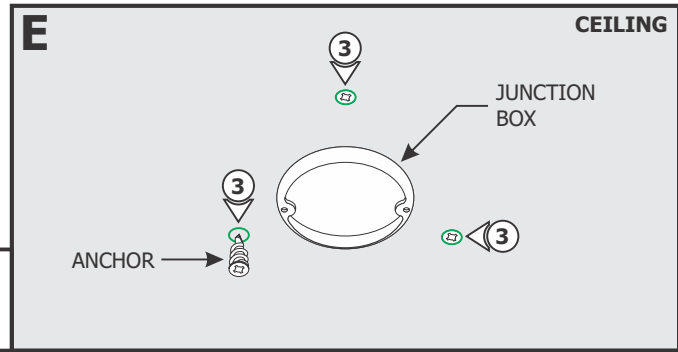


- 1:** Remove the three Phillips screws from the canopy to remove the mounting plate.



**2:** Using the mounting plate as a template, mark three mounting holes onto the ceiling.

**3:** Tap the anchors onto the marked points up to the threaded portion with a hammer. Then screw in the threaded portion with a Phillips screw driver.

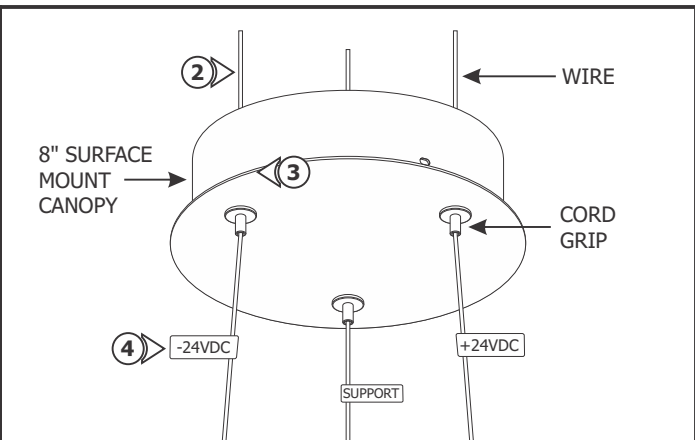
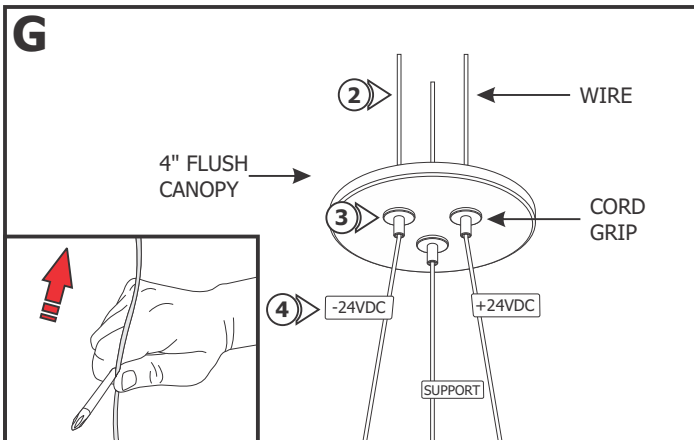


**4:** Make sure the mounting plate is grounded in accordance with local electrical codes.

**5:** Feed the 120VAC power wires through the center hole of the mounting plate.

**6:** Secure the mounting plate to the junction box and anchors using the provided screws and washers.

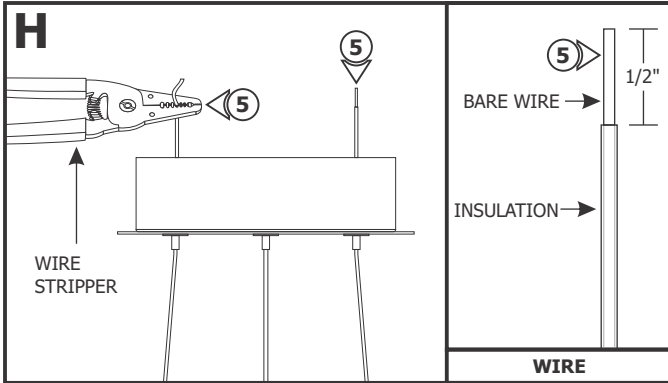
### Section Three: Install the Fixture



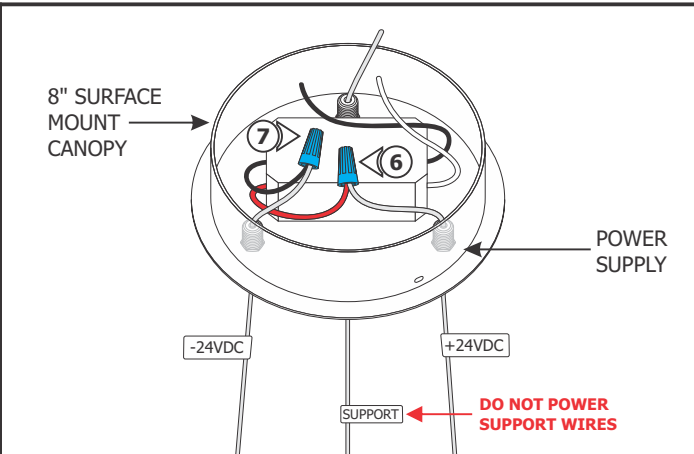
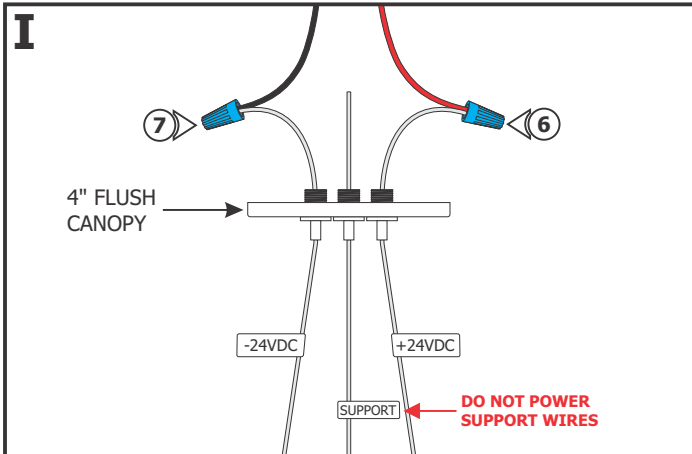
- 1:** Determine the fixture height from the bottom of the channel to the top of the canopy.
- 2:** Push each wire through the cord grips on the canopy.
- 3:** Adjust the fixture height by pushing the cord grip to slide the fixture up and down. Release the cord grip to lock the wire in place.
- 4:** Identify the two power wires which are marked with +24VDC and -24VDC labels.

**NOTE:** The wire with "SUPPORT" label is the support wire. **DO NOT** strip and power the support wire.

**NOTE:** If wire is curled or kinked, straighten by holding between the shaft of a screwdriver and thumb and pulling the wire through (see inset).



**5:** Use the #16 gauge hole of the AWG wire strippers to strip 1/2" of the outer plastic insulation from the two power wires only.

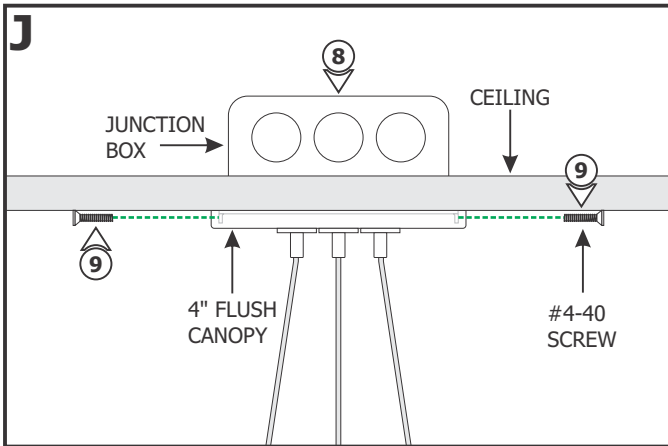


**For Both 4" Flush Canopy and 8" Surface Mount Canopy:**

**6:** Connect the fixture wire marked +24VDC to the red power supply wire with a wire nut.

**7:** Connect the fixture wire marked -24VDC to the black power supply wire with a wire nut.

**CAUTION:** Test the fixture before removing the labels.



**For 4" Flush Canopy:**

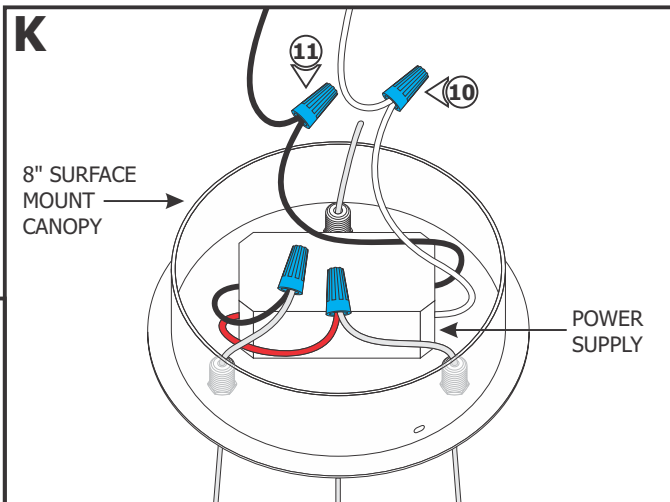
**8:** Place all wires and wire nut connections inside the junction box.

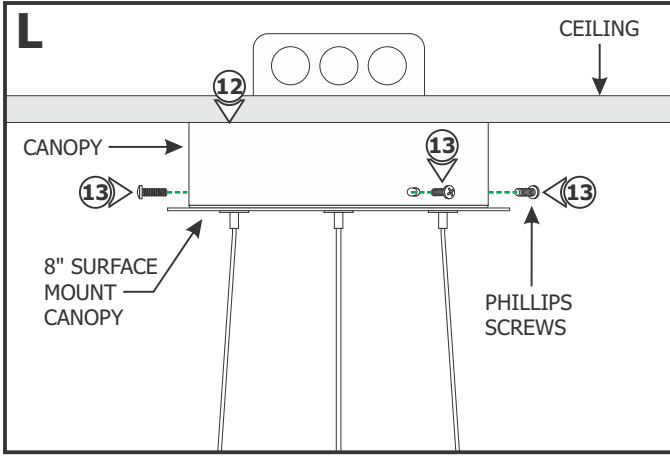
**9:** Align the canopy with the mounting ring and secure it with the two #4-40 screws using a 1/16" Allen wrench.

**For 8" Surface Mount Canopy:**

**10:** Connect the white power supply wire to the neutral power wire with a wire nut.

**11:** Connect the black power supply wire to the hot power wire with a wire nut.

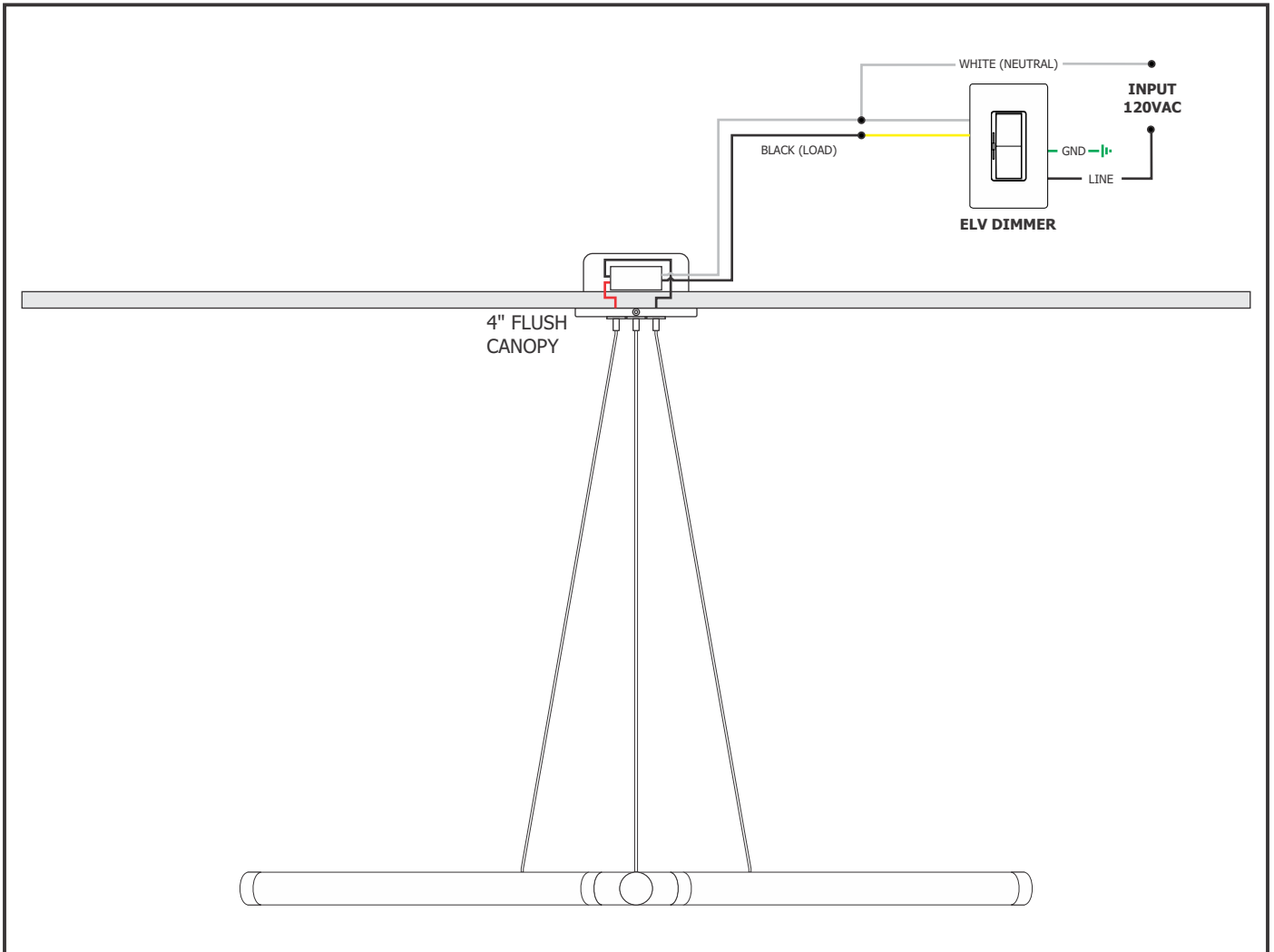




**12:** Place all wires and wire nut connections inside the canopy.

**13:** Align and secure the canopy to the mounting plate by tightening the three Phillips screws.

### Wiring Diagram



# Wiring Diagram

