



1718 W. Fullerton Chicago, IL 60614  
 Ph: 773.770.1195 • Fax: 773.935.5613  
 www.PureEdgeLighting.com • info@PureEdgeLighting.com  
 © 2016 PureEdge Lighting. All Rights Reserved.

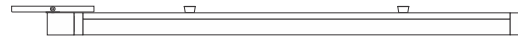
## Installation Instructions for Pipeline 2 Ceiling with 4" Round Canopy and Remote Power

P2CD-\_-4R-

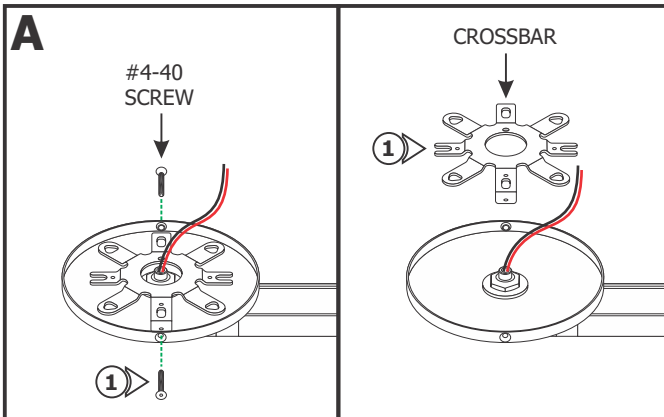
### IMPORTANT INFORMATION

- This instruction shows a typical installation.
- It is recommended more than one person to assist in this installation.

**SAVE THESE INSTRUCTIONS!**



### Install the Fixture

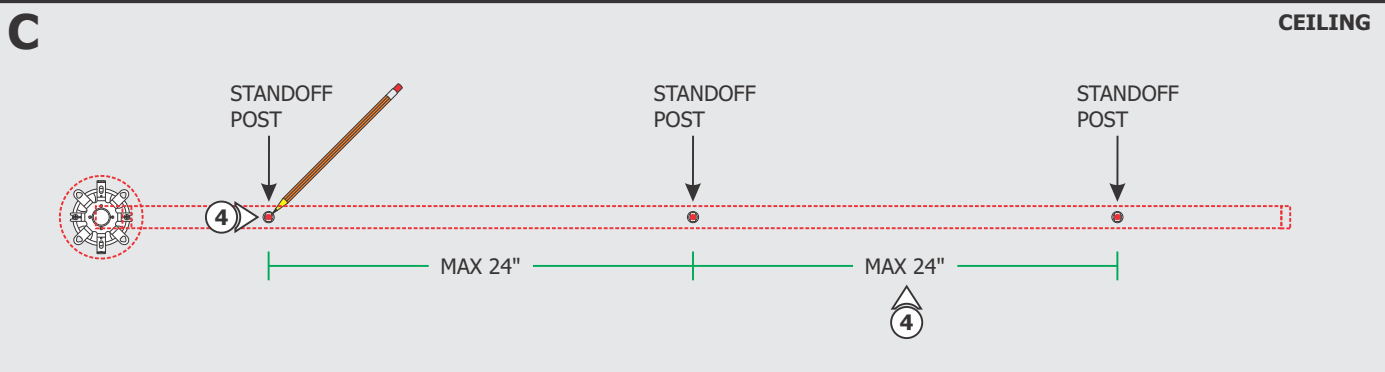
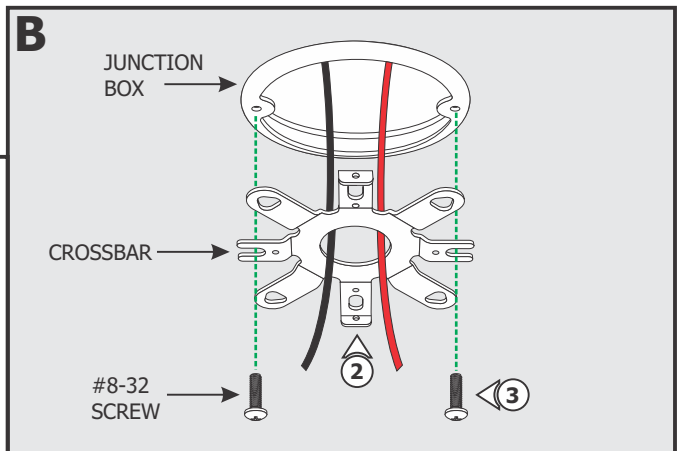


**NOTE:** Before beginning any electrical work, ensure that the power to the junction box is off.

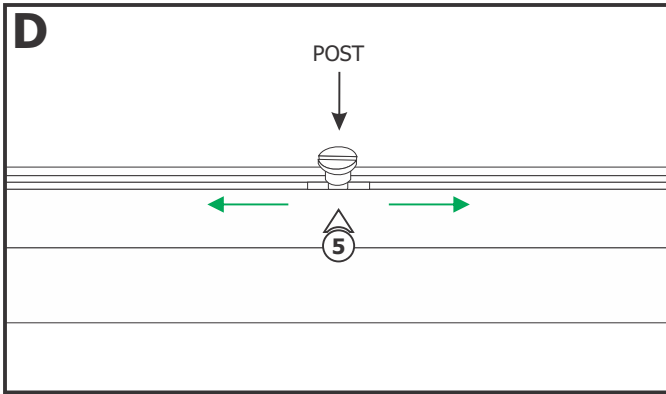
- 1:** Remove the two #4-40 screws using a 1/16" Allen wrench to remove the crossbar off of the canopy.

**NOTE:** Remote power supply must be installed within 40ft of junction box. Ensure remote power supply wires are present in the junction box. Refer to instructions provided with the power supply.

- 2:** Feed the low voltage wires from the power supply through the crossbar center hole.
- 3:** Mount the crossbar to the junction box holes using two #8-32 screws.



- 4:** Begin installation using the side of the channel with the power wire and canopy. Lay the channel to the desired location and make all necessary markings on the ceiling which will consist of the channel ends and standoff posts. Standoffs must be installed maximum 24" from each other.

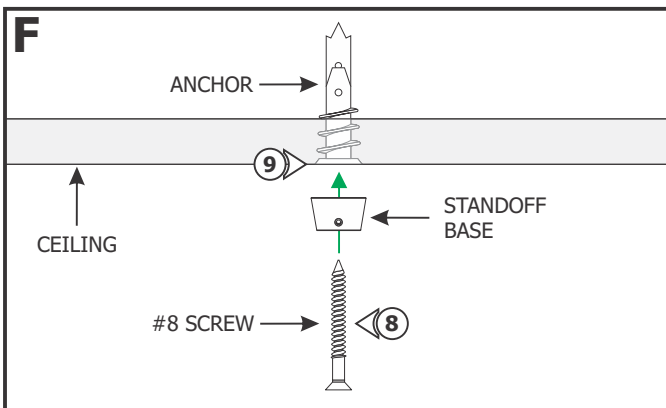
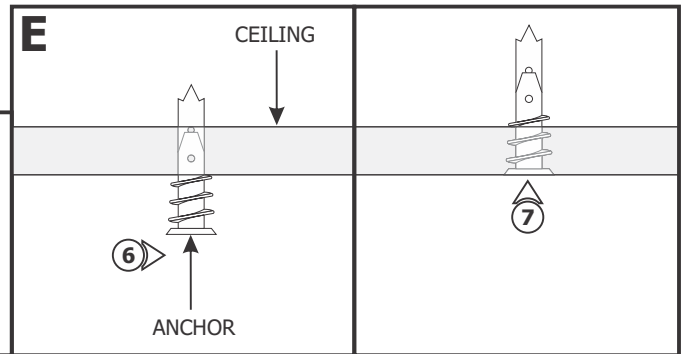


**5:** If necessary, adjust the position of the standoff post by loosening the post and sliding it across the channel. Tighten the post to secure in place.

**NOTE:** Steps 6 and 7 are for drywall mounting. Omit these steps if mounting to a wood surface directly.

**6:** Tap the anchor onto the marked points up to the threaded portion with a hammer.

**7:** Screw in the threaded portion of the anchors with a Phillips screwdriver.



**8:** Feed the #8 screw through the standoff base into the anchor.

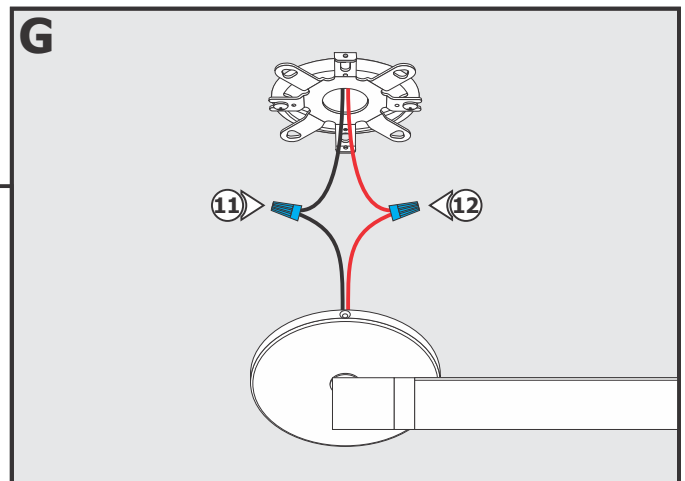
**9:** Tighten the #8 screw completely into the anchor.

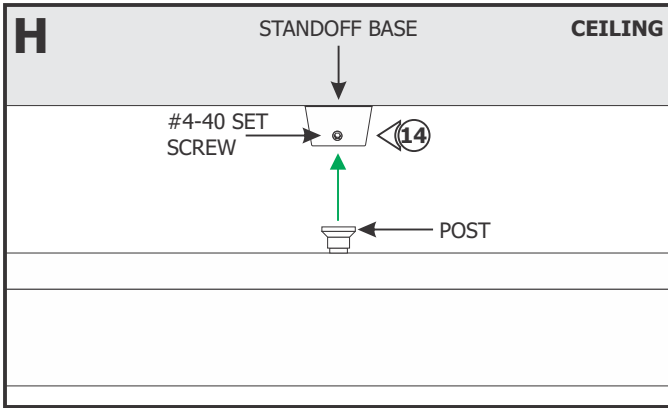
**10:** Repeat steps 8 and 9 for each standoff.

**11:** Connect the low voltage -24VDC black wire from the power supply to the -24VDC black wire from the fixture using a wire nut.

**12:** Connect the low voltage +24VDC red wire from the power supply to the +24VDC red wire from the fixture using a wire nut.

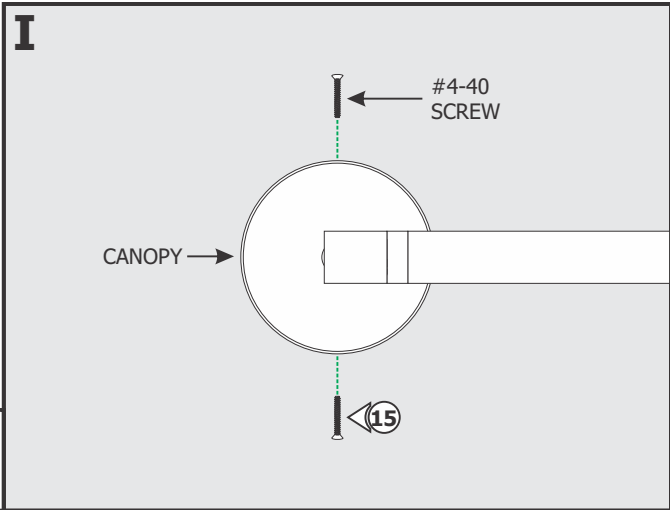
**13:** Place all the wires and wire nut connections inside the junction box.



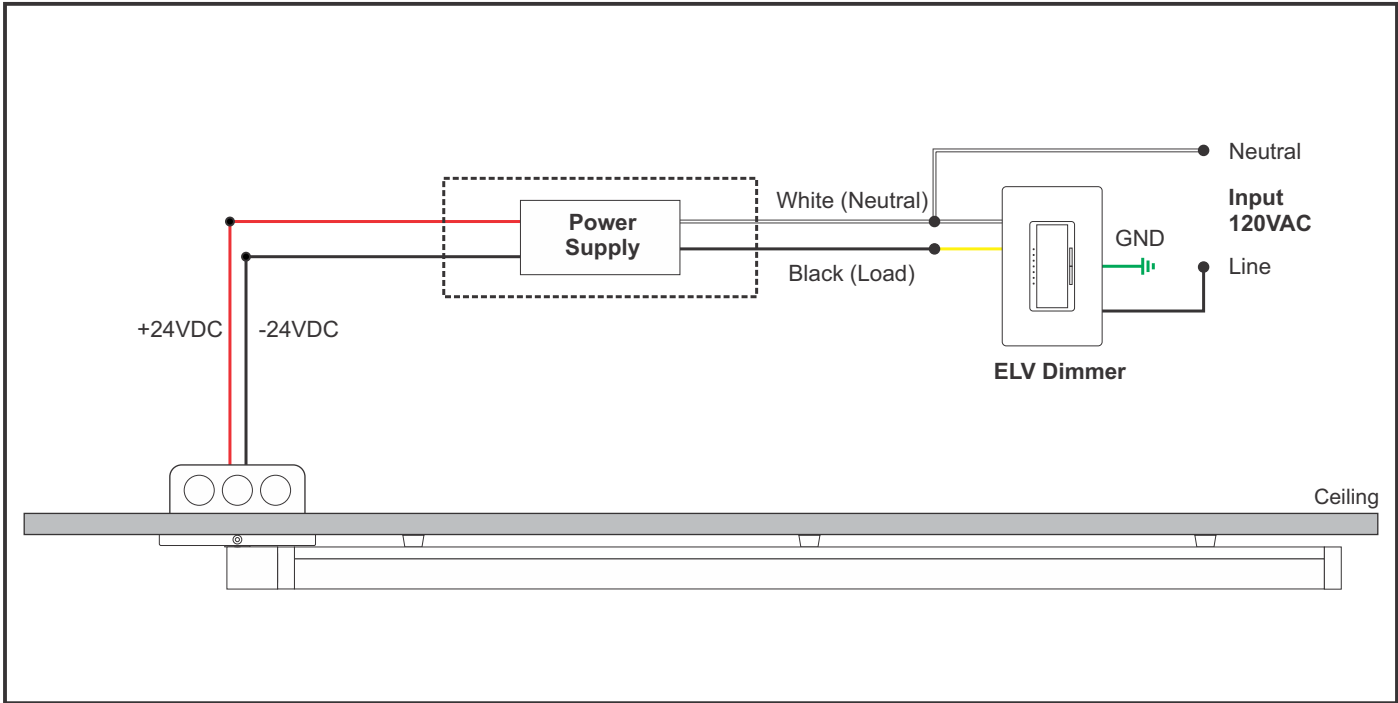


**14:** Align the post on the channel with the standoff base and secure with the #4-40 set screw using a 0.05" Allen wrench.

**15:** Align the canopy holes with the crossbar holes and secure the fixture to the crossbar with the provided #4-40 screws using a 1/16" Allen wrench.



# General ELV Wiring Diagram



# General 0-10V Wiring Diagram

