



PISTON

LED, FAST JACK FIXTURE HEAD

DESIGNED BY GREGORY KAY | ASSEMBLED IN AMERICA



REV 07.12.19



FJ-PST-NF-1-30K-SN
Satin Nickel

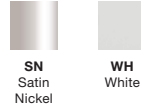


FJ-PST-NF-1-30K-WH
White

Description:

Compact yet packed with power, the 12VAC FJ Piston LED is a classic flat-back cylindrical fixture that tilts 90° vertically; 360° horizontally. Using the FJ Fast Jack 12 volt Connector, you can choose to mount this fixture head to a Monorail, 2" or 4" Round MonoPoint Canopies, and MultiPoint Canopies. Its 15°, 25°, 35°, or 45° beam spread TRI Lens gives off a smooth, uniform beam up to 517 Lumens at 9W/3000K/95CRI.

Finish & Material:



- Machined from Billet Aluminum
- Tilts 90°
- Rotates 360°

Mounting Options:

For use with any 12VAC Fast Jack Port including Monorail, 2" or 4" Round MonoPoint Canopies, and MultiPoint Canopies

Lens:

Field changeable TRI Lens gives a smooth uniform beam at 15°, 25°, 35° or 45° beam spreads

Applications:

Suitable for damp or dry location, interior use only

Lamp Specifications:

9 watt integrated LED chip, up to 517 Lumens, 3000K

Power Supply in Canopy:

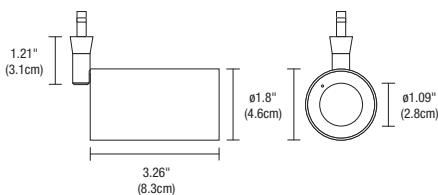
120V input-12VAC output, ELV Electric Low Voltage Power Supply (FJ and M fixtures order Power Supply separately)

Dimming:

- Dimmable to 1% Percent of Flicker <25%
- ELV dimming standard. Compatible with Lutron Diva, Skylark, and Legrand ELV dimmers

Warranty / Labels:

Prorated 5 year warranty. Assembled in America
ETL (Conforms to UL1598 and CSA 22.2 #250.0)



System		Fixture	Head / Beam Spread Lens	Stem Height	Color Temperature	Finish
FJ		PST	NF	1	30K	SN
FJ	Fast Jack (Connector only)	PST	SP	1 1" (2.5cm)	30K 3000K Warm White	SN Satin Nickel
M	Monorail (Connector included)	NP	NF			WH White
MP2R	Mono-Point 2" Round Flat Canopy	SP	FL			
MP4R	Mono-Point 4" Round Flat Canopy	FL	WF			
MP4RS	Mono-Point 4" Round Surface Canopy	WF				
2P4R	2-Port 4" Round Canopy					
3P8R	3-Port 8" Round Canopy					
2P12RE	2-Port 12" Rectangle Canopy*					
3P12RE	3-Port 12" Rectangle Canopy*					
3P12R	3-Port 12" Round Canopy*					

* Satin Nickel Finish Only

PROJECT	FIXTURE TYPE	DATE
---------	--------------	------

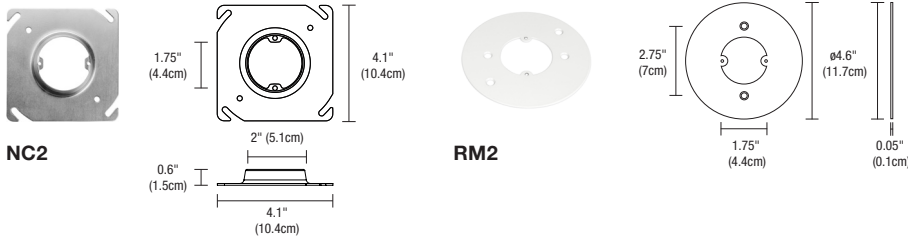


PISTON

LED, FAST JACK FIXTURE HEAD

DESIGNED BY GREGORY KAY | ASSEMBLED IN AMERICA

REV 07.12.19



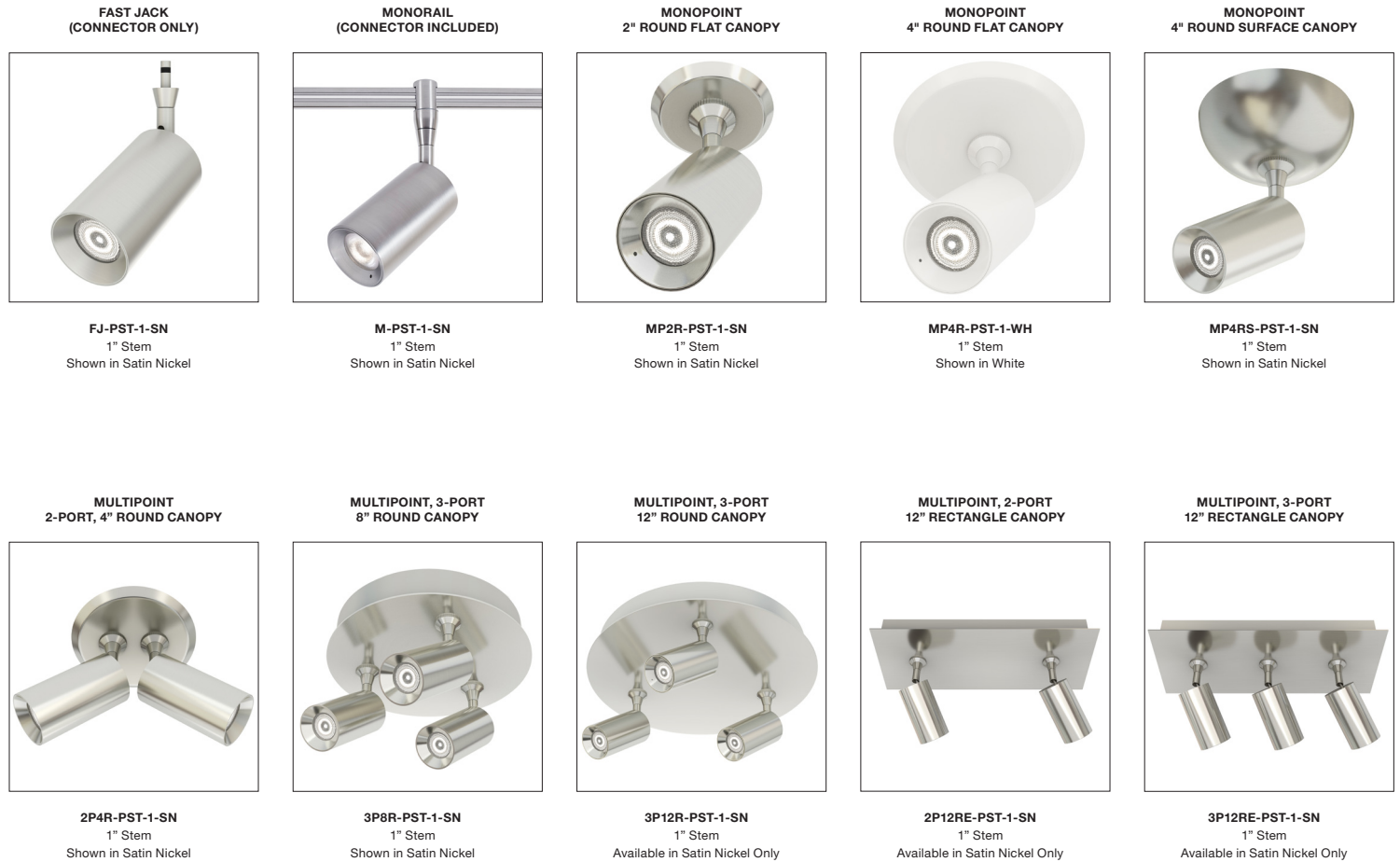
NEW CONSTRUCTION & REMODEL 2" COVER FOR 4" SQUARE JUNCTION BOX

NC2 included with the 2" Round Canopies. NC2 New Construction Junction Box Cover mounts to a standard 4" Electrical Box or Octagon Box, converting it to a 2" Plaster Ring for a 2" Round or Square Canopy. The RM2-Jbox Remodel Plaster Plate cover is used with the existing 4" Square Junction Box and Round Plaster Ring.



- Existing 4SQ J-box with Round Plaster Ring
- Add RM2 Remodel Plate with Power Supply from MP2R fixture
- Plaster and paint ceiling, then add Canopy and fixture

System	Type
NC2	JBOX
NC2 New Construction 2" Remodel Plaster Plate	JBOX Junction Box Cover



PROJECT	FIXTURE TYPE	DATE
---------	--------------	------



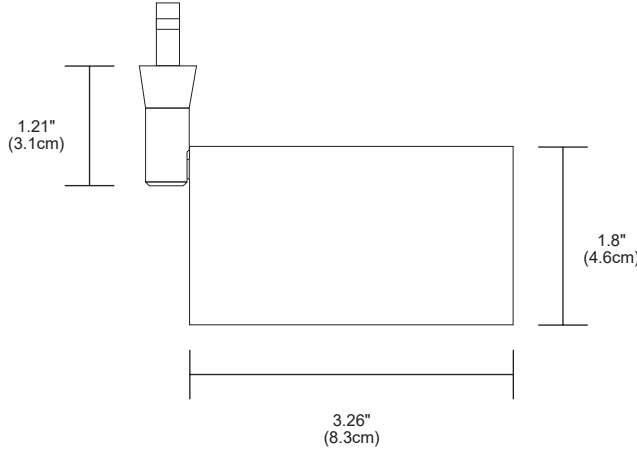
PISTON

LED, FAST JACK FIXTURE HEAD

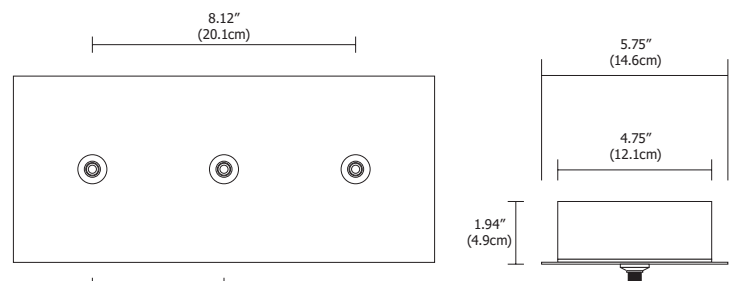
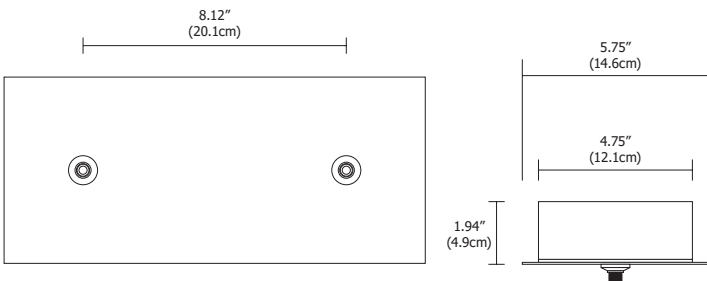
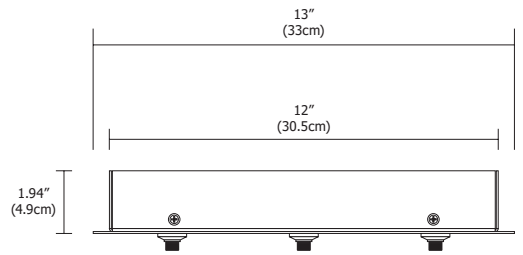
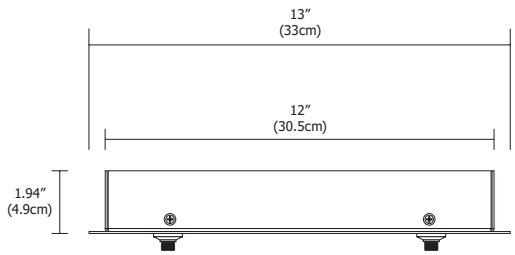
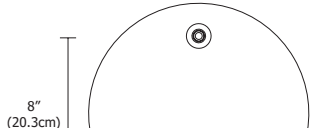
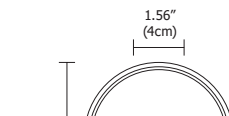
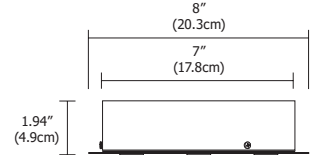
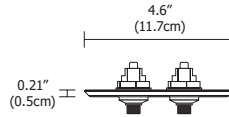
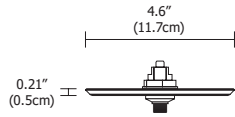
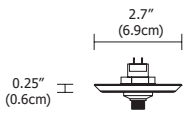
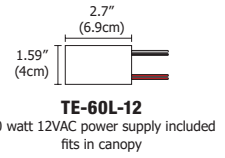
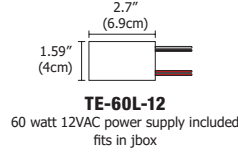
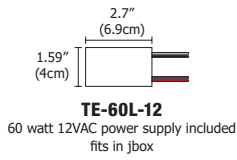
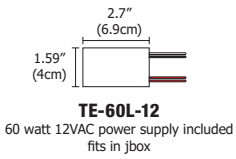


DESIGNED BY GREGORY KAY | ASSEMBLED IN AMERICA

REV 07.12.19



FJ-PST



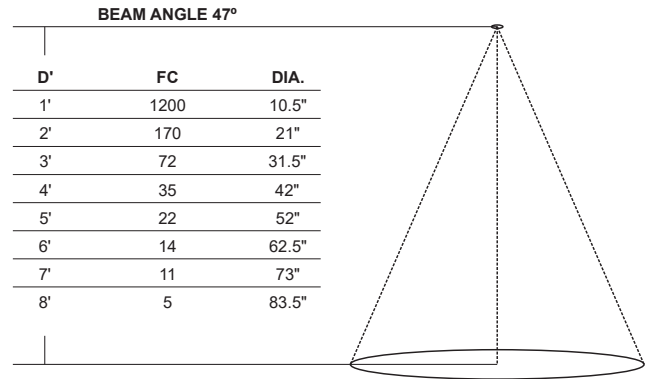
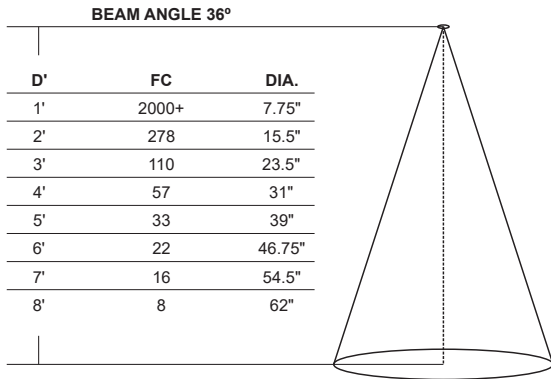
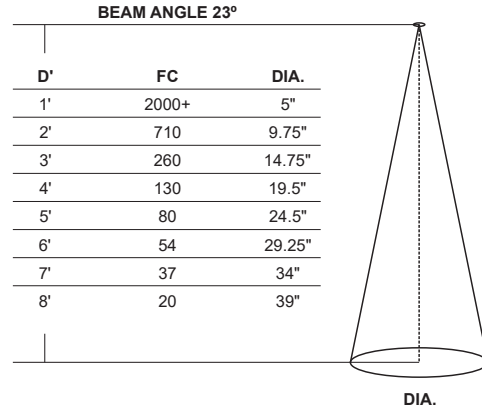
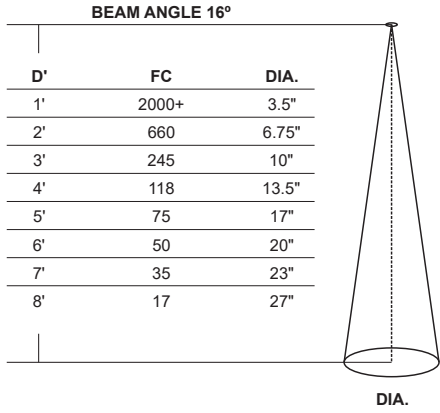
PROJECT	FIXTURE TYPE	DATE
---------	--------------	------



PISTON LED, FAST JACK FIXTURE HEAD

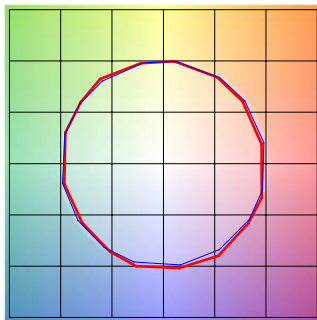
DESIGNED BY GREGORY KAY | ASSEMBLED IN AMERICA

REV 07.12.19



3000K | Rf: 93.2 | Rg: 100.8

COLOR VECTOR GRAPHIC



■ Test ■ Reference

HUE BIN	Rf	GRAPHIC SHIFTS %	
		CHROMA	HUE
1	94.1	-2.5%	0.9%
2	95.4	-2.0%	1.1%
3	92.2	-0.9%	3.4%
4	94.5	0.0%	2.8%
5	94.0	0.1%	2.8%
6	94.9	2.7%	0.5%
7	95.4	0.2%	-1.9%
8	97.5	-0.1%	-1.5%
9	96.0	-1.7%	0.8%
10	91.1	-2.1%	4.0%
11	88.9	0.2%	7.4%
12	90.5	3.5%	3.0%
13	94.4	2.9%	-1.3%
14	91.4	4.5%	-3.9%
15	92.5	1.1%	-4.1%
16	89.0	0.7%	-7.9%

PROJECT	FIXTURE TYPE	DATE
---------	--------------	------