

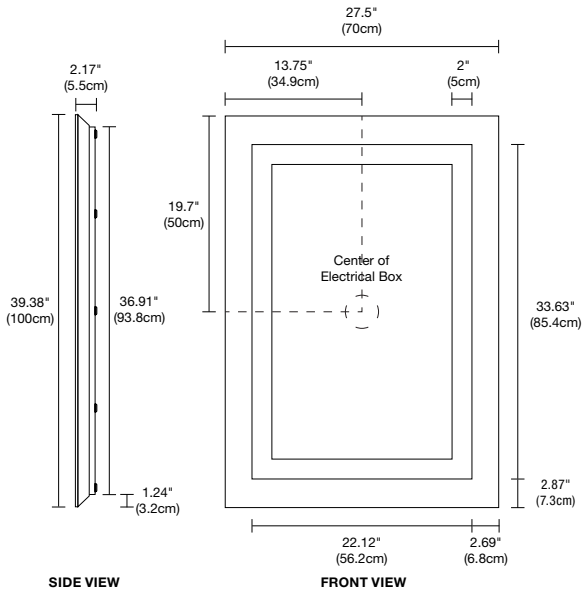
PLAZA TUNABLE WHITE MIRROR

TUNABLE WHITE LED, DIMMABLE

REV 09.10.19



4000K ← 3000K → 2000K



DESCRIPTION

Cast yourself in the best light. Plaza LED Small Tunable White Mirror features innovative advancements in LED technology. Set behind an inset border of frosted glass projecting an even glow of Tunable White Light, this technology allows the end user to adjust the light from 2000K to 4000K Kelvin temperatures, as illustrated in the photos above. 92+ CRI, Tunable White, ETL, ADA Listed.

DIFFUSER

Frosted Glass

BODY FINISH

Mirror

LAMPING

- 1991 Lumens at 2700K, 90+ CRI LEDs
- LED Lamps consume 95 Watts
- Power supplies included

INPUT VOLTAGE

120VAC

DIMMERS (SOLD SEPARATELY)

Dimmable CDMX-2XK-WH Wall Controller, Dual ELV Dimmers with Uni Driver, S2-L Skylark TRIAC, Dual 0-10V Dimming Options.

DIMENSIONS

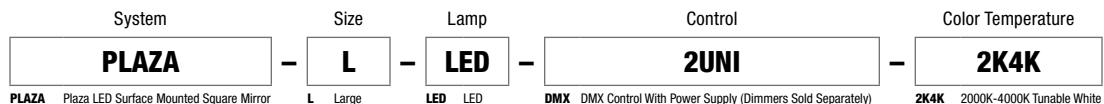
Height 39.38" x Width 27.5" x Depth 2.17"

WEIGHT

53 lbs (24 kg)

3D FILES:

[3D Warehouse](#)

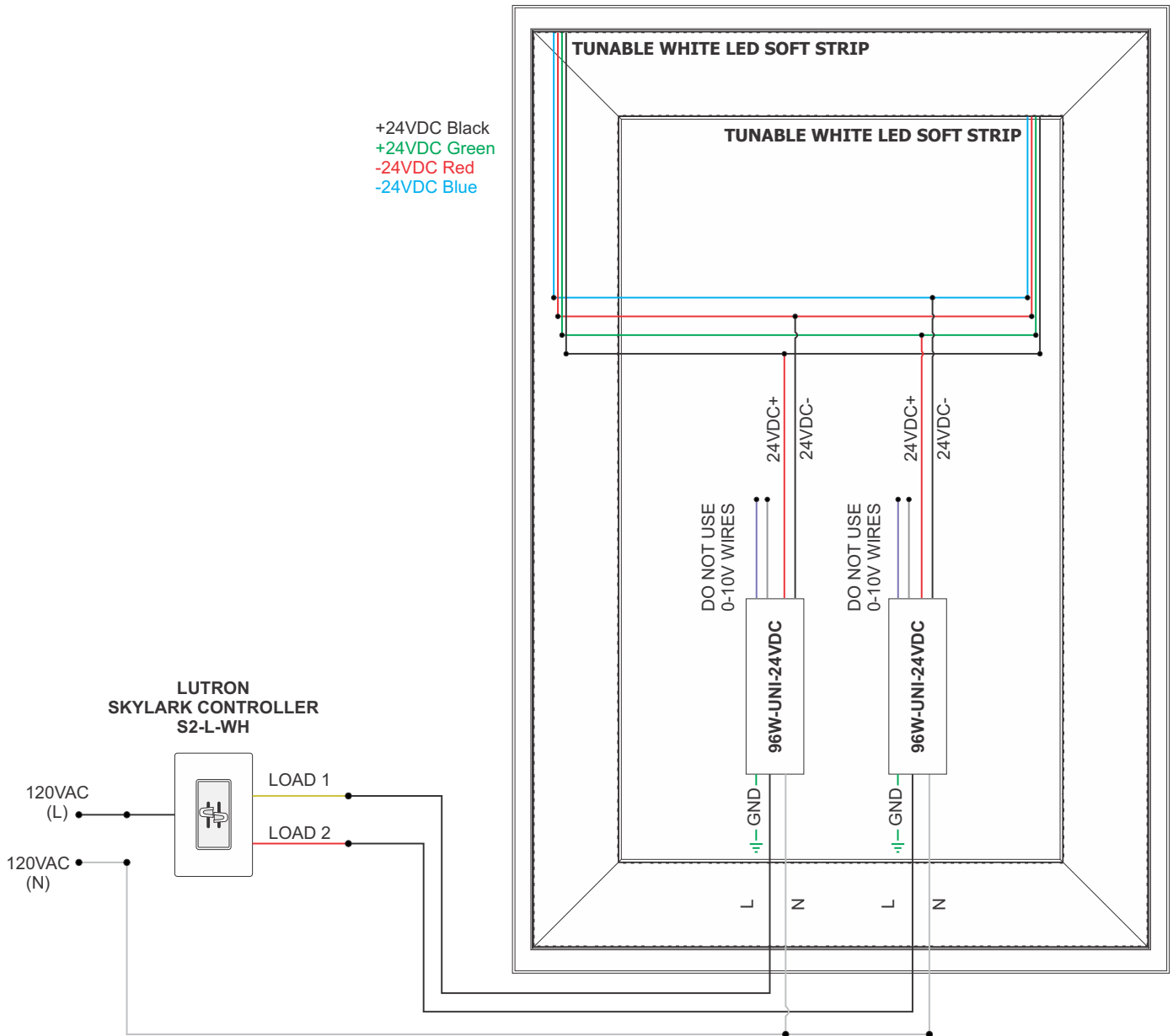


2UNI 2 Universal Power Supplies Included in Mirror, Requires 2 EL Dimmers, S2 Skylark Dimmer (Sold Separately).



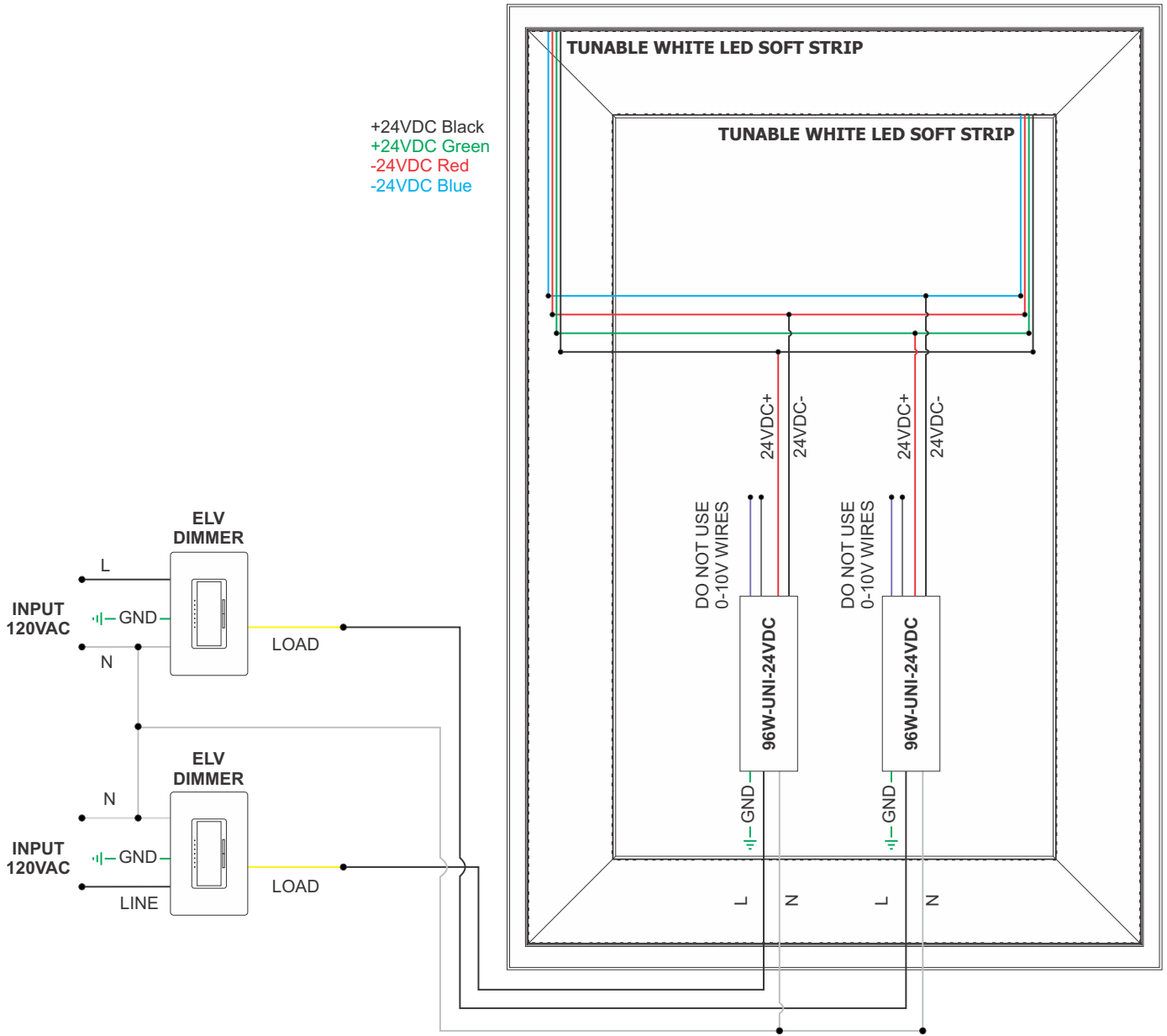
PROJECT	FIXTURE TYPE	DATE
---------	--------------	------

WIRING DIAGRAM Tunable White with Dual Uni-Drivers



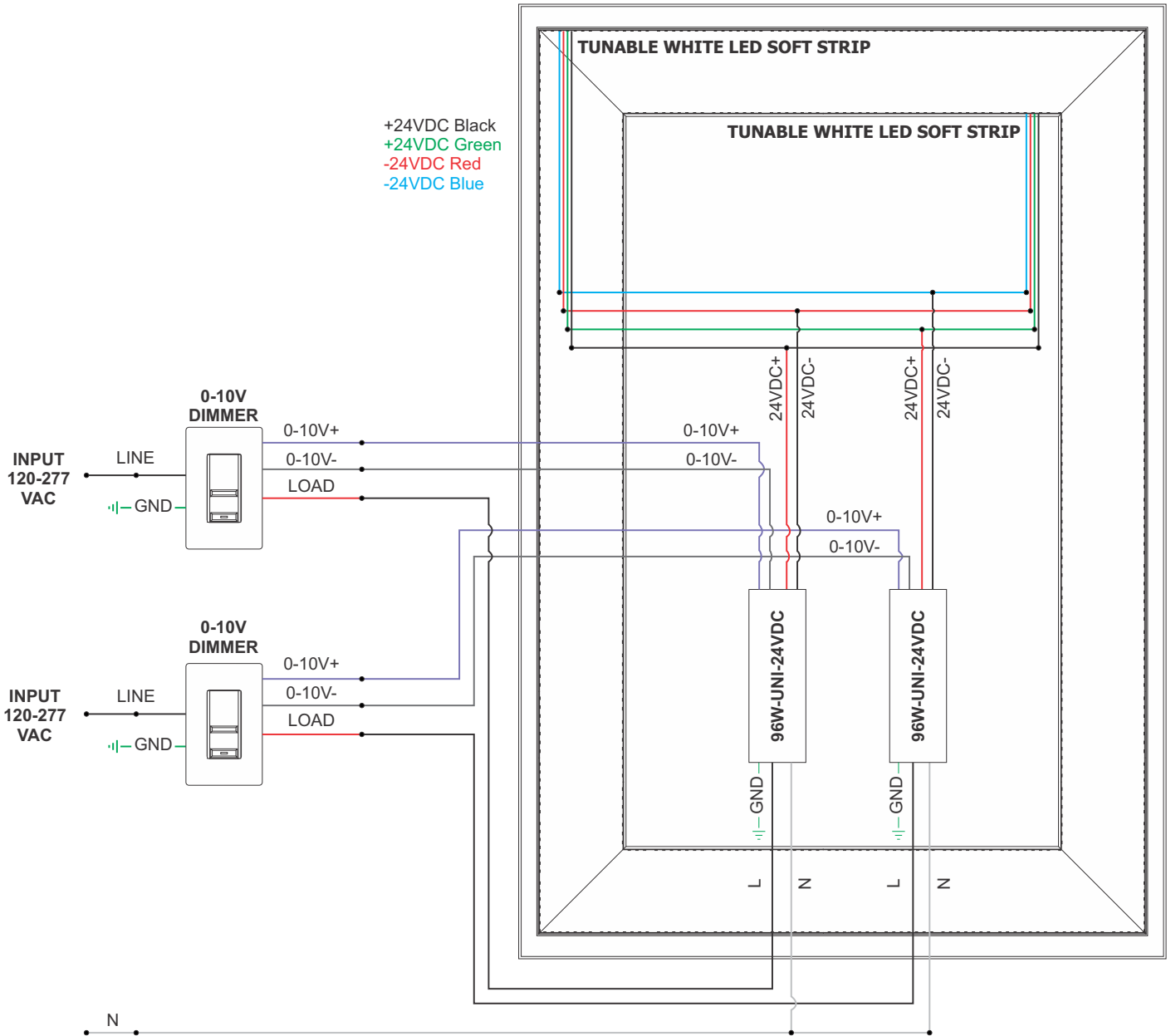
PROJECT	FIXTURE TYPE	DATE
---------	--------------	------

WIRING DIAGRAM Tunable White with Dual Uni-Drivers



PROJECT	FIXTURE TYPE	DATE
---------	--------------	------

WIRING DIAGRAM Tunable White with Dual Uni-Drivers



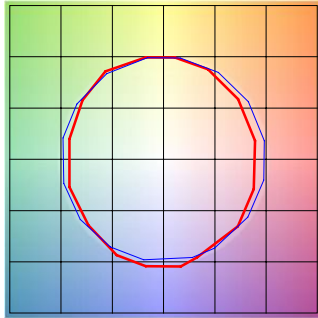
PROJECT	FIXTURE TYPE	DATE
---------	--------------	------

TM-30-15 DATA

The data below is for SS5C bare LED Soft Strips. Consistent color temperatures throughout a single strip and among multiple strips is possible through a 3 phase binning process in which each order is inspected with a color meter to ensure uniformity.

2000K ONLY (2K4K) | Rf: 84.3 | Rg: 96.9

Color Vector Graphic

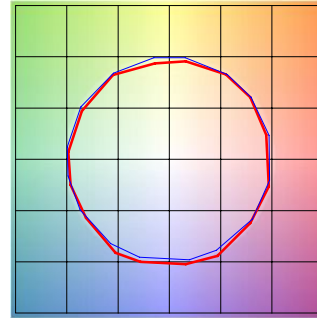


■ Test ■ Reference

GRAPHIC SHIFTS %			
HUE BIN	Rf	CHROMA	HUE
1	80.3	-8.9%	1.7%
2	79.7	-7.0%	7.8%
3	78.9	-2.9%	10.0%
4	89.5	-0.5%	5.1%
5	94.4	0.7%	1.7%
6	92.1	2.4%	-0.3%
7	89.4	-2.4%	-5.9%
8	89.7	-6.4%	-0.2%
9	86.0	-4.9%	4.6%
10	81.8	-3.4%	9.3%
11	83.1	3.3%	9.7%
12	85.8	5.6%	3.3%
13	85.6	6.2%	-12.8%
14	61.7	-1.9%	-19.0%
15	79.7	-3.3%	-12.9%
16	78.1	-7.9%	-10.6%

4000K ONLY (2K4K) | Rf: 89.6 | Rg: 99.1

Color Vector Graphic

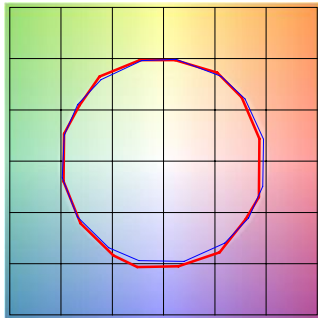


■ Test ■ Reference

GRAPHIC SHIFTS %			
HUE BIN	Rf	CHROMA	HUE
1	91.3	-2.5%	1.0%
2	95.3	-0.5%	0.5%
3	94.3	-0.7%	1.1%
4	91.1	-3.4%	-1.1%
5	89.5	-5.6%	0.0%
6	94.6	-1.4%	1.3%
7	93.2	-3.0%	2.6%
8	91.3	-1.8%	4.6%
9	86.5	-0.9%	9.1%
10	83.3	-0.5%	9.5%
11	83.3	4.9%	9.0%
12	89.7	4.1%	1.7%
13	90.1	3.6%	-4.3%
14	93.4	5.2%	-2.1%
15	87.4	0.4%	-4.3%
16	86.6	0.4%	-6.1%

2K4K (3000K) | Rf: 90.2 | Rg: 101.4

Color Vector Graphic



■ Test ■ Reference

GRAPHIC SHIFTS %			
HUE BIN	Rf	CHROMA	HUE
1	90.9	-3.8%	1.3%
2	91.7	-1.9%	3.3%
3	88.7	0.7%	5.1%
4	92.4	-1.0%	0.7%
5	92.9	0.9%	1.7%
6	93.1	3.3%	-0.6%
7	91.0	-1.8%	-0.4%
8	97.0	0.2%	-1.1%
9	92.8	-0.5%	3.6%
10	88.3	1.0%	7.0%
11	87.1	3.8%	7.8%
12	87.6	6.5%	-0.3%
13	89.3	3.6%	-6.3%
14	86.1	4.5%	-9.1%
15	91.6	-1.9%	-3.1%
16	83.8	-1.5%	-11.2%

PROJECT		FIXTURE TYPE		DATE	
---------	--	--------------	--	------	--