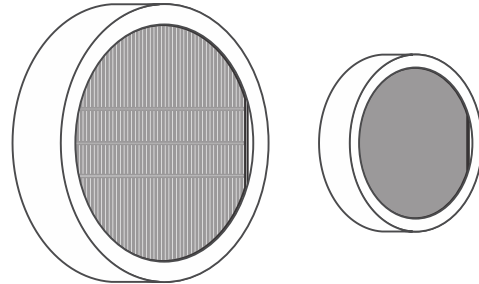


## Installation Instructions for **STEP LIGHT KITS SUN3-LL & PORT-LL**

### IMPORTANT INFORMATION

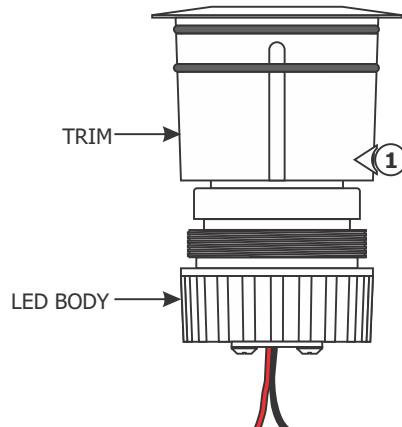
- The SUN3-LL & PORT-LL are the accessory step light kits that are used with Sun3 and Port fixtures respectively.
- The SUN3-LL and the PORT-LL come with a Micro Louver Lens for controlling the glare, a 20 degree beam tilt film for controlling the beam light, a neutral density film (gray) to reduce the light level to 50%, a warm white film (amber) to convert the light level to 2700K and a very warm white film (yellow) to convert the light level to 2500K.
- The SUN-LLH & PORT-LLH do not come with any lenses or films.

**SAVE THESE INSTRUCTIONS!**



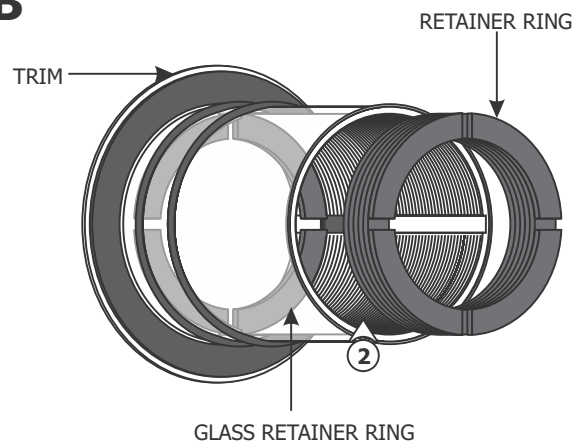
### Install the Lens

**A**



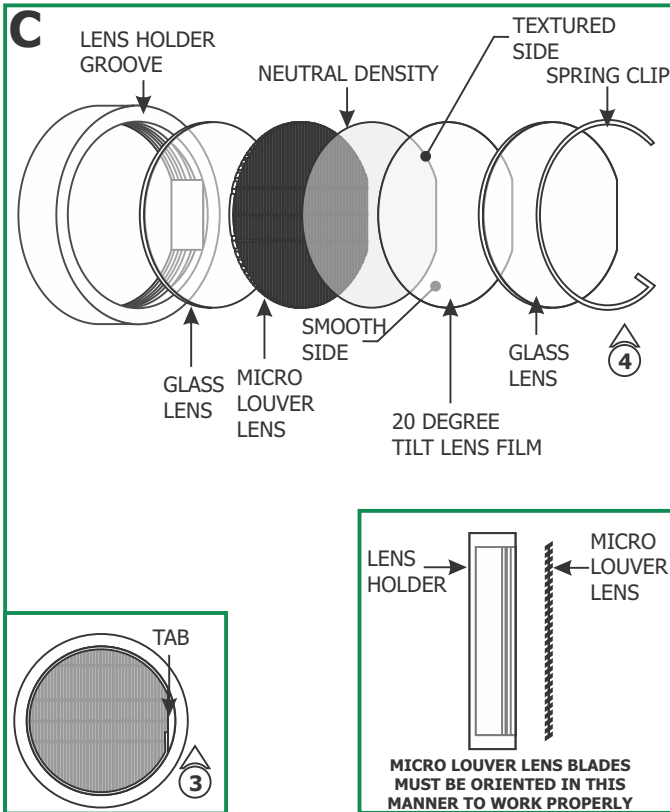
**1:** Unscrew to remove the LED body from the trim.

**B**



**2:** Using fingers remove the retainer ring inside the trim. If necessary use a flat screw driver or pair of pliers to start.

**NOTE:** Do not remove the glass retainer ring which makes the trim to be water proof.



**3:** Carefully remove the spring clip and one of the glass lenses.

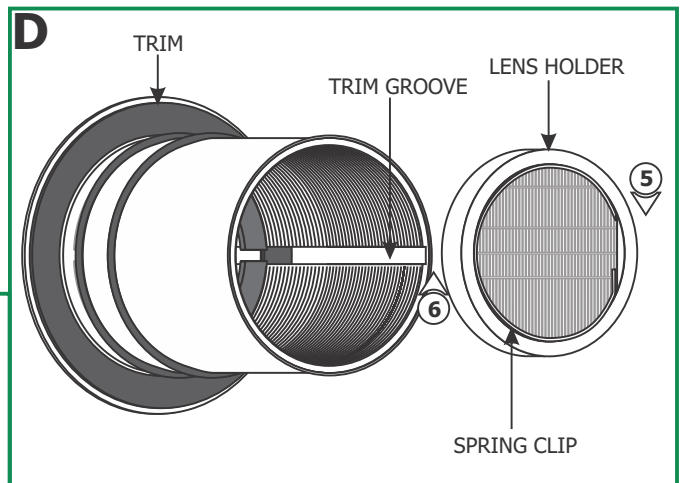
**NOTE:** The micro louver and the 20 degree film are already installed in SUN-LL & PORT-LL, if removing them please make sure to align the cut out portion of the louver and the film with the lens holder tab. Use one of the three optional films.

**NOTE:** One side of the 20° film is smooth (protected with a green plastic) and the other side is textured (protected with a clear plastic). The smooth side of the lens should face against the trim glass lens. Remove protective plastics before applying the film.

**NOTE:** SUN3-LLH & PORT-LLH do not come with any films or lenses. Make sure any lenses or films used with these accessories are placed between the two glass lenses.

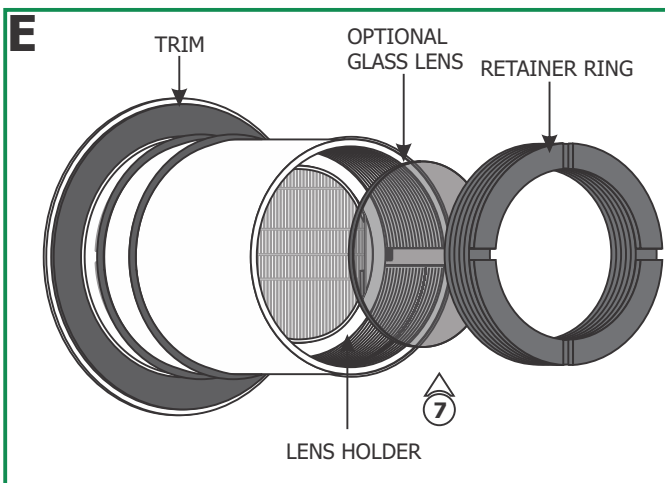
**NOTE:** The second glass lens can be eliminated if using a few accessories. Use the second glass lens if eliminating the micro louver and using the films only.

**4:** Replace the spring clip making sure that it sits properly in the lens holder groove.



**5:** Align the set screw on the lens holder with the groove on the trim. Make sure that the spring clip side of the lens is in the opposite direction of the trim.

**6:** Insert the lens holder inside the trim making sure that the set screw on the lens holder fits inside the groove.



**7:** Place the optional glass lens (if using any) against the lens holder. Replace and tighten the retainer ring to secure the lens holder and glass lens in place.

**8:** Replace and tighten the LED body completely into the trim.

**9:** Refer to the installation instructions provided with the Sun3 or Port to complete the installation.

