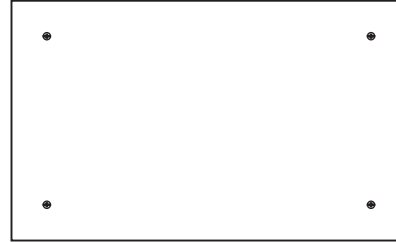




1718 W. Fullerton Chicago, IL 60614
 Ph: 773.770.1196 • Fax: 773.883.6128
 www.pureedgelighting.com • info@pureedgelighting.com
 © 2016 PureEdge Lighting. All Rights Reserved.

Installation Instructions for 2 X 100 Watt 24 Volt In Wall DC Power Supply with ELV Dimming



SAVE THESE INSTRUCTIONS!



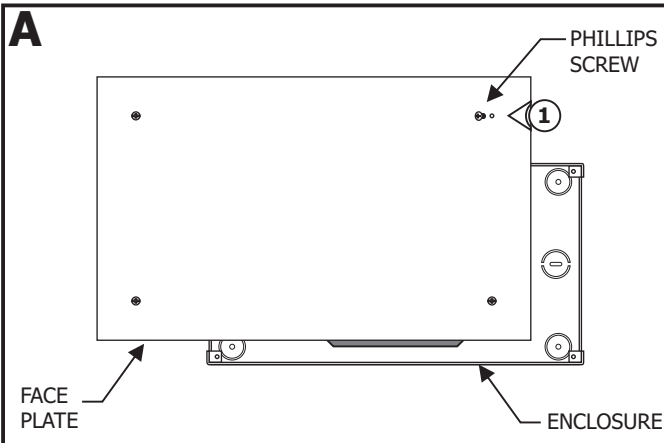
GENERAL INFORMATION

- **RISK OF FIRE:** This product must be installed by a qualified electrician. Turn the power to the electrical box off during installation. Read the "Important Safety Instructions" before installation.
- This product is not suitable for wet locations. It is approved for the use at any height above the finished floor.
- A typical installation is shown. Specific installation must be in accordance with the local electrical codes.
- **TO REDUCE RISK OF FIRE,** it is important to wire the power supply for the system as described in this installation instruction.

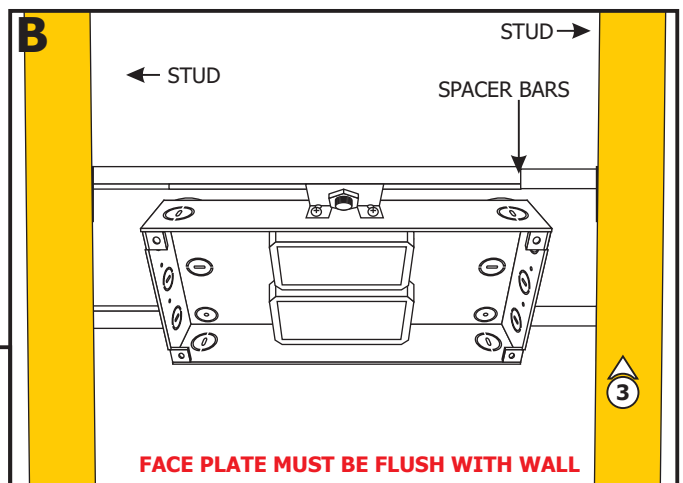
IMPORTANT SAFETY INSTRUCTIONS

- Do not install this power supply in a wet location.
- To reduce the risk of the system overheating and possibly causing a fire, make sure all the connections are tight.
- Do not install *LED fixture closer than three inches or as specified in the *LED fixture installation instructions to curtains or similarly combustible materials. Keep insulation at least 3" away from the enclosure.
- Turn the electrical power off before modifying the lighting system in any way.
- * See LED fixture installation instructions for proper placement.

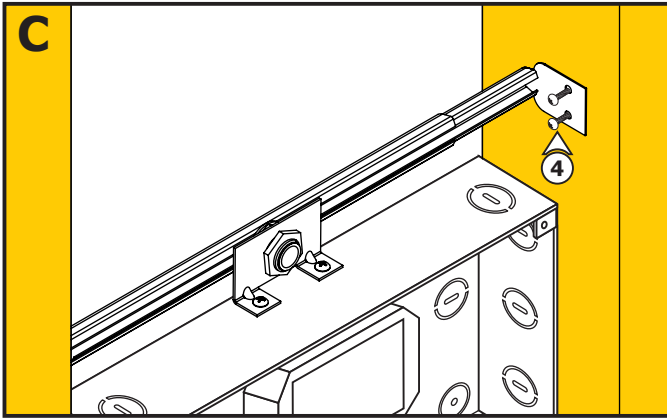
Install the Power Supply Kit



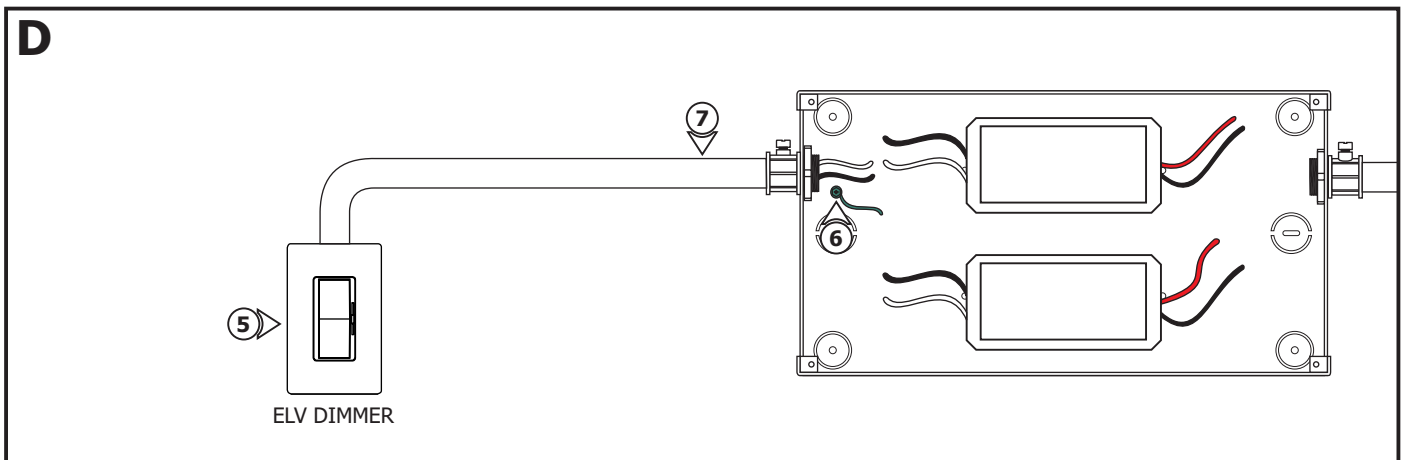
1: Loosen the four Phillips screws on the face plate to slide it off the enclosure.



- 2:** Ensure that front plate of power supply box is flush with wall.
- 3:** Use sliding spacers to mount power supply box between studs.



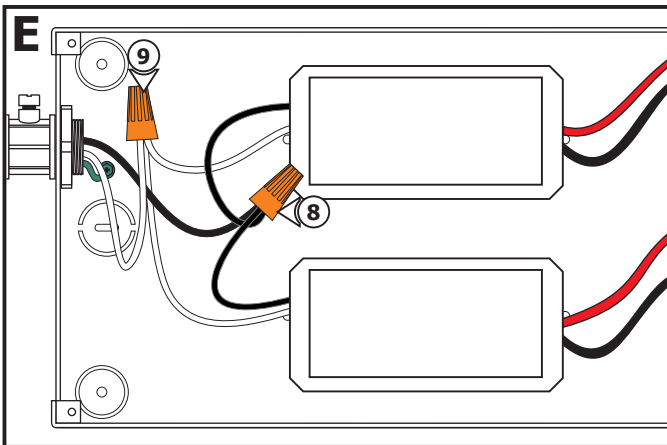
4: Screw spacer bars to studs, ensuring that the front face plate stays flush with wall.



5: Install the ELV dimmer and run the line voltage wires from the dimmer to the enclosure box. (Refer to the ELV dimmer instructions and wiring diagram on page 3 for more info.)

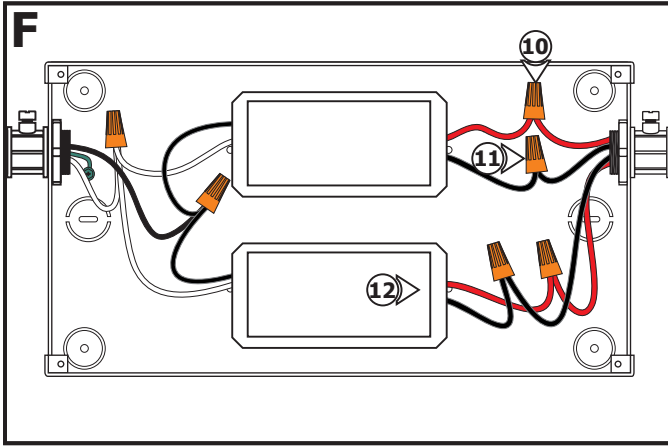
6: Ensure that the power supply enclosure is grounded in accordance with local electrical codes.

7: Remove knockouts from power supply enclosures as required. Route 120VAC hot and neutral wires from the ELV dimmer to power supply enclosure.



8: Connect the 120VAC hot wire from the dimmer to both black wires of each power supply using a wire nut.

9: Connect the 120VAC neutral wire from the dimmer to both white wires of each power supply using a wire nut.



NOTE: Use only 24VDC fixture with this power supply.

10: Connect the red (+24VDC) wire from one power supply to the red wire of one LED soft strip with a wire nut (reference fixture installation guide for more details).

11: Connect the black (-24VDC) wire from the same power supply to the black wire of the same LED soft strip with a wire nut (reference fixture installation guide for more details).

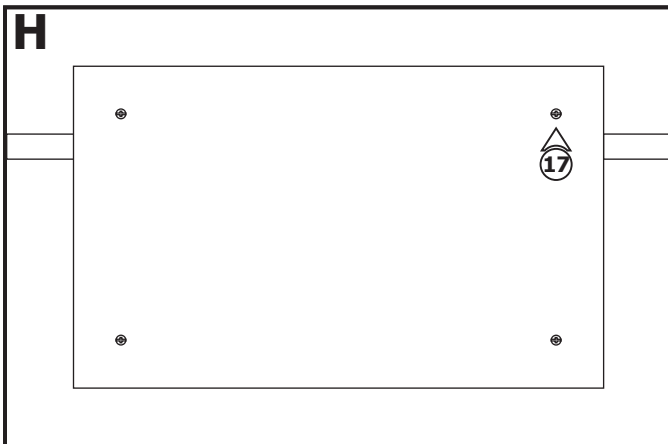
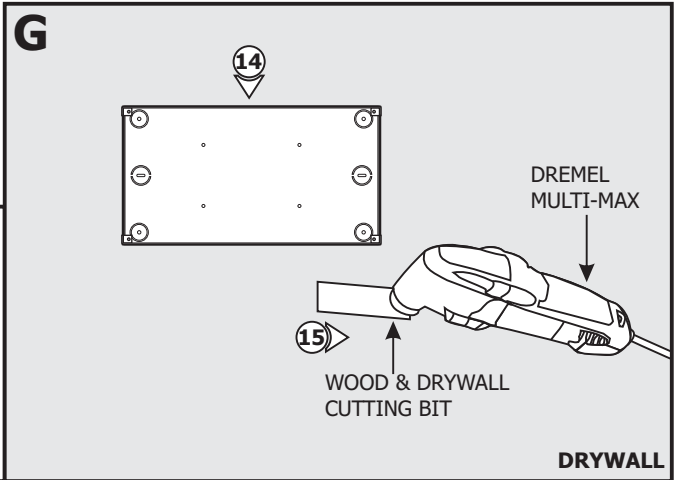
12: Repeat steps 10 and 11 for the other power supply and soft strip.

13: Determine the power supply location on the wall.

14: Mark a rectangle shape (roughly 12-1/8" X 6-1/2") on drywall where the enclosure opening will be located.

15: Cut out the marked rectangle opening, using a "Dremel Multi-Max" or other appropriate tool.

16: Install & finish drywall.



17: Replace the power supply cover and secure it by tightening the Phillips screws.

Overall Wiring Diagram

