

Top View



Side View

Description:

Accepts input voltage of 120VAC and outputs 24VDC power up to 3x96 watts. Can be used as a dimmable or non-dim Power Supply*. Power Supply features short circuit and overload protection. Power Supply features short circuit and overload protection. Indoor applications only.

**Electrical Panels using Seimens/Murray AFCI breakers are not compatible with this ELV transformer. Use 0-10 Volt power supplies with this breaker.*

Applications: Indoor*

*To avoid overheating the power supply, install it in a ventilated remote location where air flows. Maintain proper spacing among power supplies when multiple power supplies are installed in the same remote location.

Power Input:

120 volts AC, 50/60Hz

Power Output:

Class 2; 24 volts DC 3 x 4A, 3x96 watts maximum

Dimensions:

14" x 10" x 3"

Compatible Dimmers:

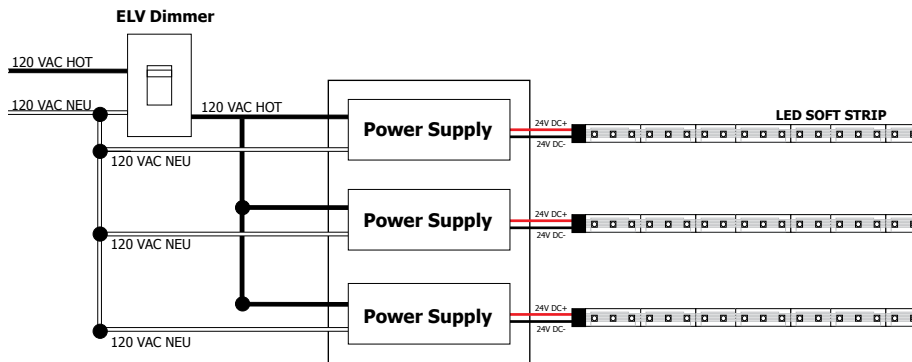
Legrand: Adorne ADTP703TU

Lutron: Diva DVELV-300P, Skylark SELV-300P, Maestro MAELV-600 and Radio RA 2

Product	Wattage	Dimming	Voltage
PSB	3X100W	ELV	24VDC
<small>PSB Power Supply with Enclosure Box</small>	<small>3X100W 3X96 Watts</small>	<small>ELV Electronic Low-Voltage</small>	<small>24VDC 24 Volt DC</small>

96W, 24VDC LOW VOLTAGE WIRE SIZE CHART: 3% VOLTAGE DROP

WIRE LENGTH (FT)	UP TO 33FT	34FT-52FT	53FT-86FT	87FT-130FT
WIRE SIZE	14 AWG	12 AWG	10 AWG	8 AWG
VOLTAGE AT END OF WIRE	23.28VDC	23.29VDC	23.28VDC	23.28VDC



PROJECT	FIXTURE TYPE	DATE
---------	--------------	------