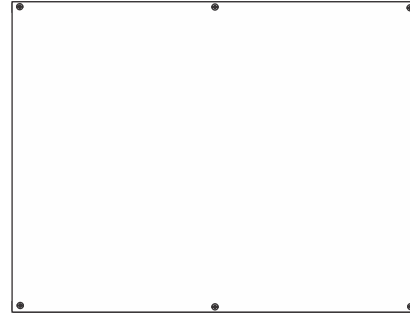




1718 W. Fullerton Chicago, IL 60614
 Ph: 773.770.1195 • Fax: 773.935.5613
 www.PureEdgeLighting.com • info@PureEdgeLighting.com
 © 2016 PureEdge Lighting. All Rights Reserved.

Installation Instructions for **2 X 100 / 3 X 100 / 4 X 100 Watt 24 Volt DC Tunable White DMX LED Power Supply**



SAVE THESE INSTRUCTIONS!

GENERAL INFORMATION

- **RISK OF FIRE:** This product must be installed by a qualified electrician. Turn the power to the electrical box off during installation. Read the "Important Safety Instructions" before installation.
- **NOTE:** To avoid overheating the power supply, install it in a ventilated remote location where air flows. Maintain proper spacing among power supplies when multiple power supplies are installed in the same remote location.
- This product is not suitable for wet locations. It is approved for the use at any height above the finished floor.
- A typical installation is shown. Specific installation must be in accordance with the local electrical codes.
- **TO REDUCE RISK OF FIRE,** it is important to wire the power supply for the system as described in this installation instruction.
- Load each power supply to **MAXIMUM 100** Watts.
- Use CDMX touch controller with Tunable White LED soft strip.

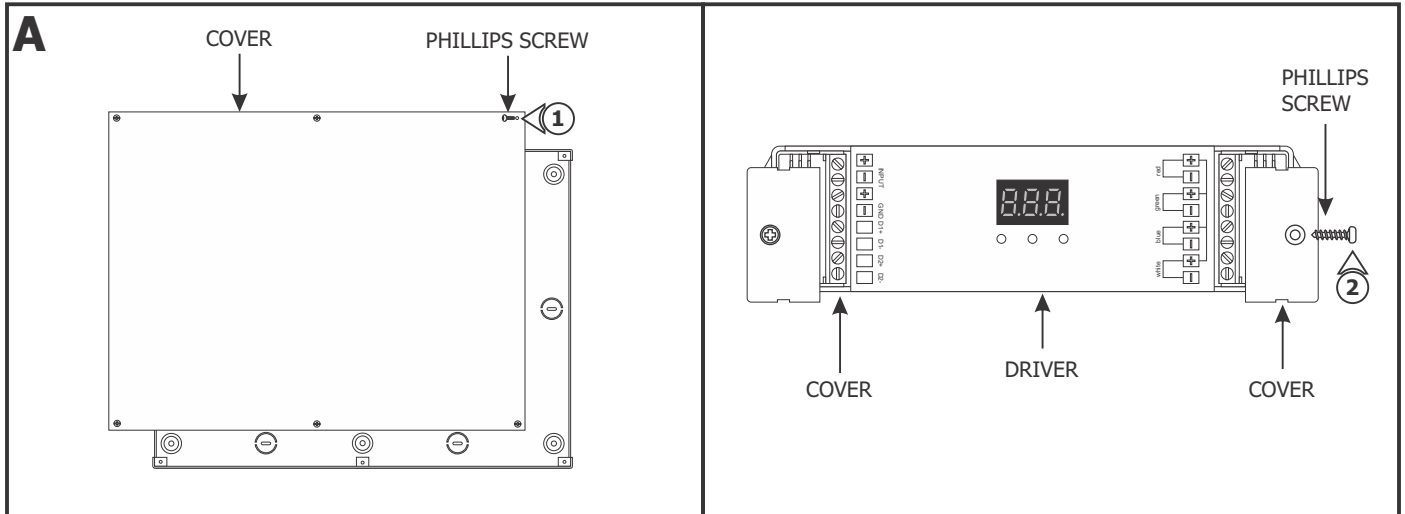
IMPORTANT SAFETY INSTRUCTIONS

- Do not install this power supply in a wet location.
- To reduce the risk of the system overheating and possibly causing a fire, make sure all the connections are tight.
- Do not install *LED fixture closer than three inches or as specified in the *LED fixture installation instructions to curtains or similarly combustible materials. Keep insulation at least 3" away from the enclosure.
- Turn the electrical power off before modifying the lighting system in any way.
- * See LED fixture installation instructions for proper placement.

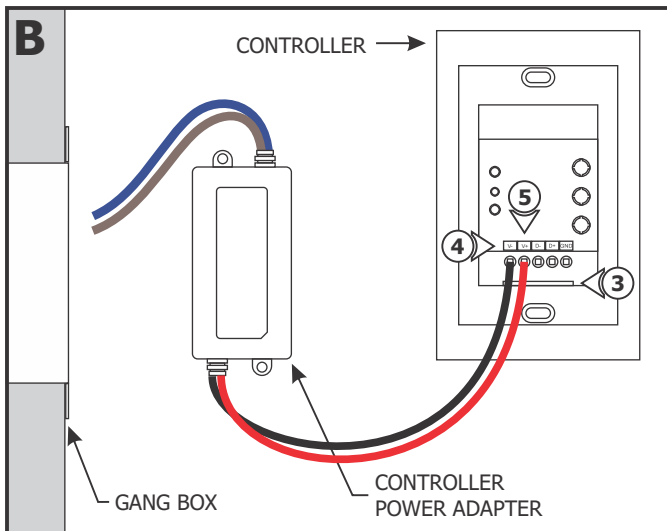
100W, 24VAC LOW VOLTAGE WIRE SIZE CHART

3% VOLTAGE DROP	WIRE LENGTH IN FT	UP TO 31FT	32FT-49FT	50FT-81FT	82FT-124FT
	WIRE SIZE	14 AWG	12 AWG	10 AWG	8 AWG
	VOLTAGE AT END OF THE WIRE	23.28 VAC	23.29 VAC	23.28 VAC	23.28 VAC

Using LED Power Supply with Tunable White Soft Strip & CDMX Controller



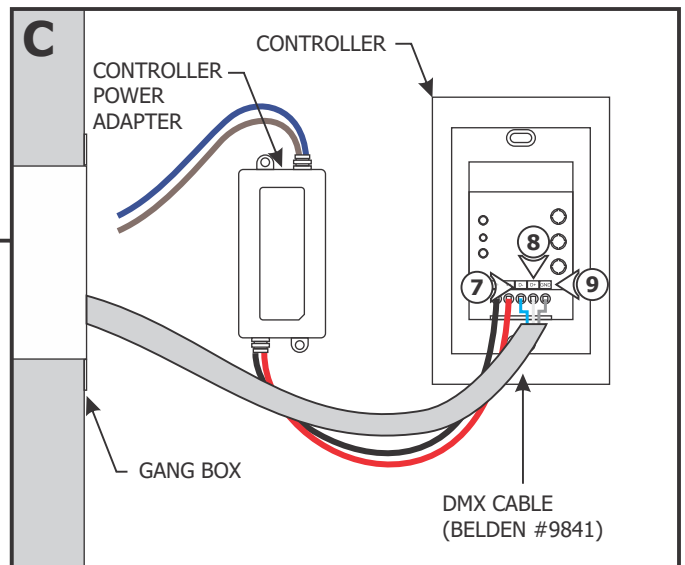
- 1:** Loosen the six Phillips screws on front of the power supply to remove the cover.
- 2:** Loosen the two Phillips screws on the driver to remove the cover.

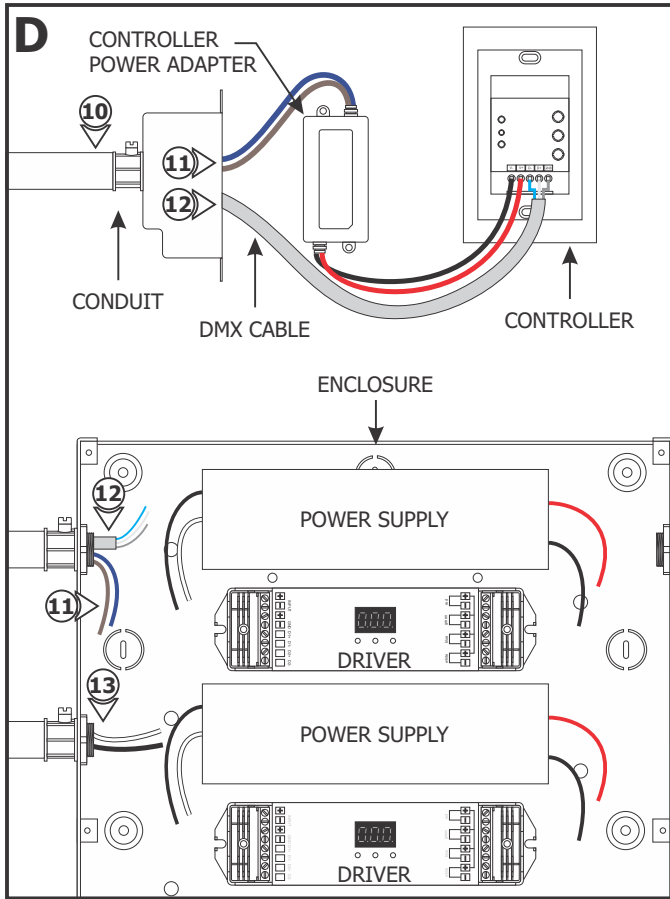


NOTE: Use a deep single gang box to fit the controller and controller power adapter.

- 3:** Loosen the screws under the "V-" and "V+" terminals of the controller with a flat head screw driver.
- 4:** Insert the black wire of the controller power adapter into the "V-" terminal and tighten the screw.
- 5:** Insert the red wire of the controller power adapter into the "V+" terminal and tighten the screw.

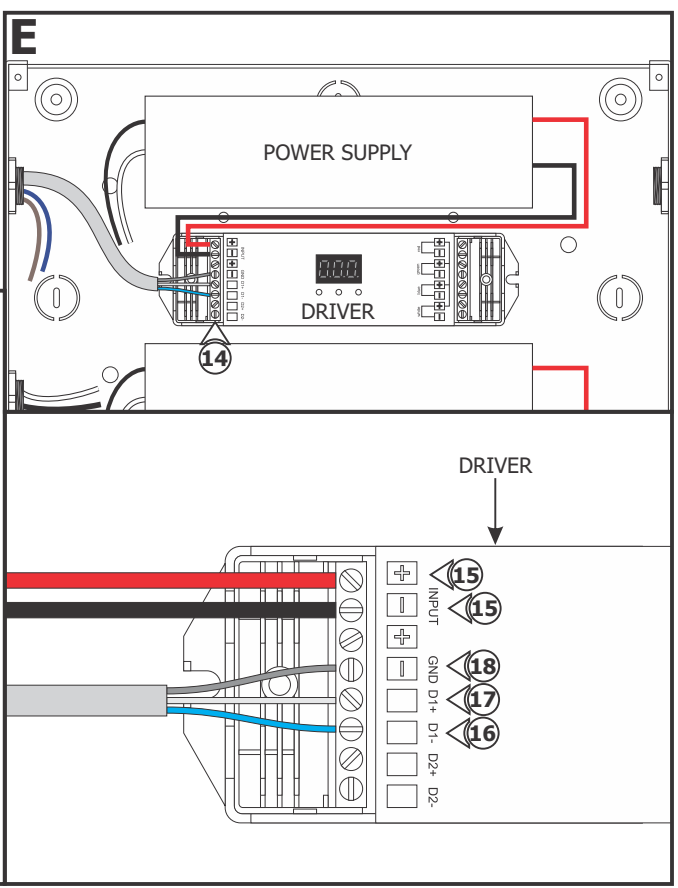
- 6:** Loosen the screws under the "D-," "D+" and "GND" terminals of the controller with a flat head screw driver.
- 7:** Insert one data wire (blue with white stripes wire) into the "D-" terminal and tighten the screw.
- 8:** Insert the second data wire (white with blue stripes wire) into the "D+" terminal and tighten the screw.
- 9:** Insert the third data wire (bare shield wire) into the "GND" terminal and tighten the screw.

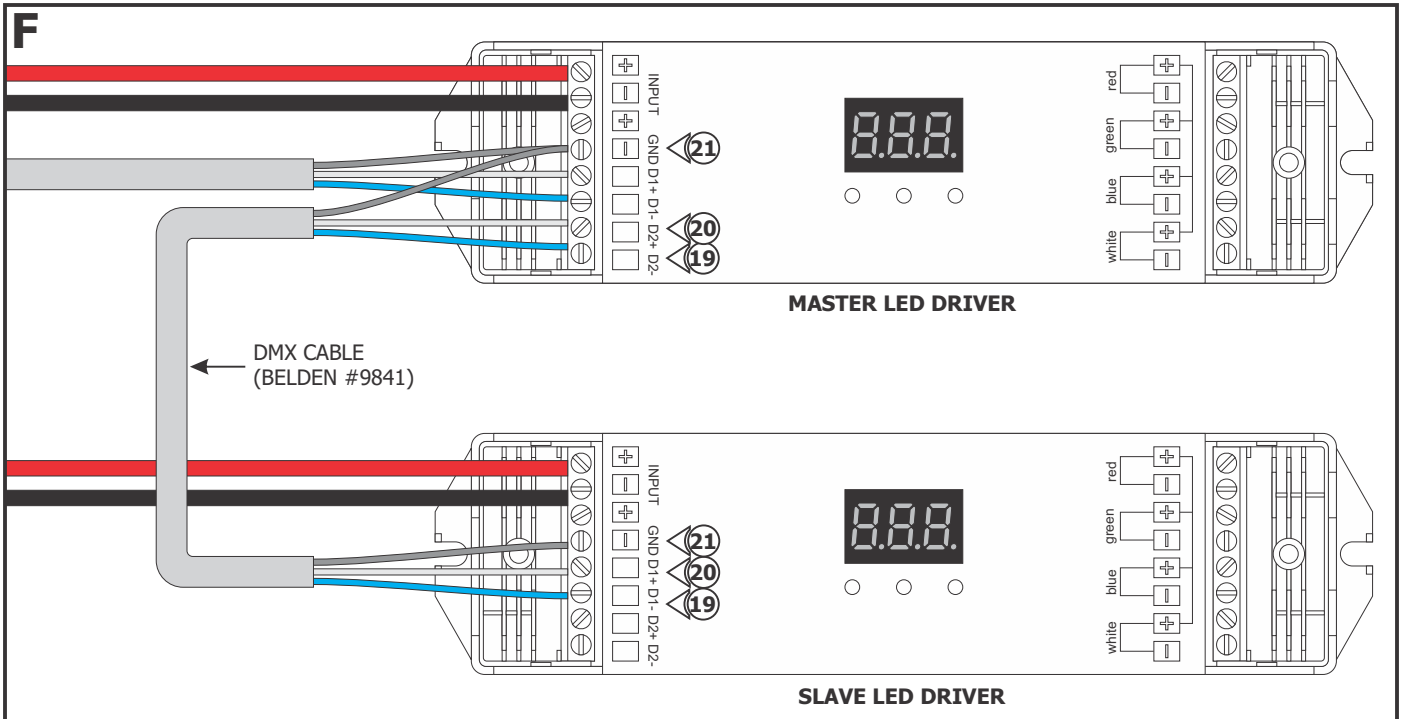




- 10:** Install conduits from the controller, main panel (line voltage), and LED strip to the power supply enclosure.
- 11:** Run the blue and brown line voltage wires coming from the controller power adapter to the power supply enclosure.
- 12:** Run the proper size DMX cable (**Belden #9841 recommended**) with three data wires from the controller to the power supply enclosure.
- 13:** Run the line voltage power wires to the power supply enclosure.

- 14:** Loosen the screws on the "+ INPUT," "-INPUT," "GND," "D1+," "D1-," "D2+," and "D2-" terminals of the DMX drivers with a flat head screw driver.
- 15:** Insert the red wire from the power supply into the "+ INPUT" DMX terminal and tighten the screw. Insert the black wire from the power supply to the "- INPUT" DMX terminal and tighten the screws. Repeat for each power supply and driver.
- 16:** Insert the end of the first data wire (blue with white stripes wire) into the "D1-" DMX terminal and tighten the screw.
- 17:** Insert the end of the second data wire (white with blue stripes wire) into the "D1+" DMX terminal and tighten the screw.
- 18:** Insert the end of the third data wire (bare shield wire) into the "GND" DMX terminal.



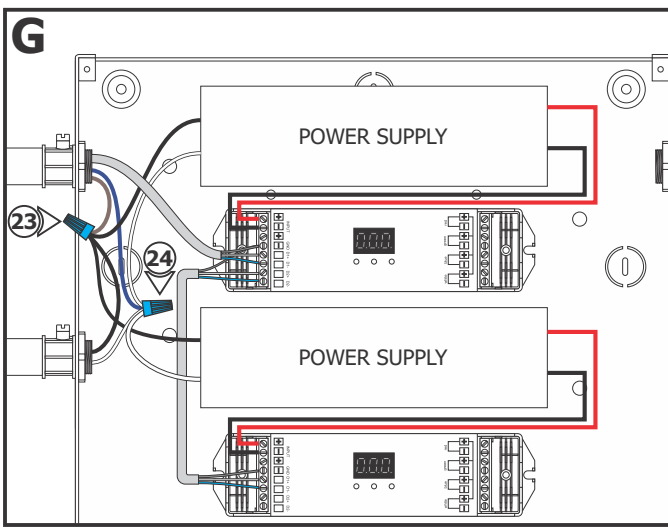


NOTE: Follow the steps below to wire the master LED driver to additional slave LED drivers.

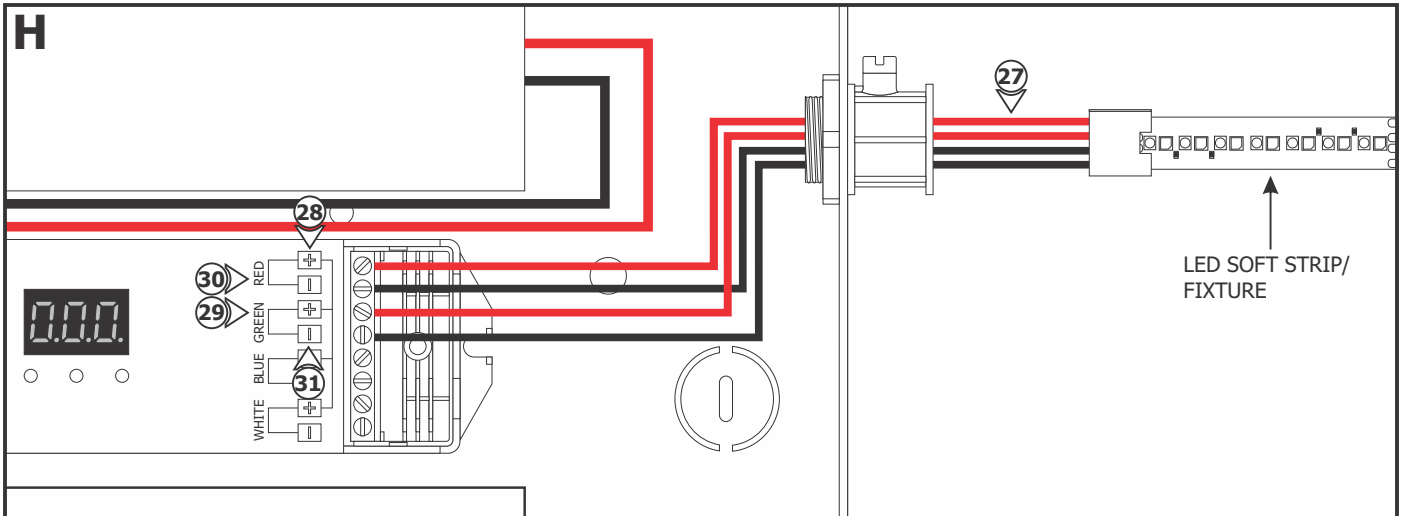
- 19:** Insert one end of a data wire (blue with white stripes wire) into the "D2-" terminal of the master LED driver. Insert the other end into the "D1-" terminal of the slave LED driver and tighten the screws.
- 20:** Insert one end of a second data wire (white with blue stripes wire) into the "D2+" terminal of the master LED driver. Insert the other end into the "D1+" terminal of the slave LED driver and tighten the screws.
- 21:** Insert one end of a data wire (bare shield wire) into the "GND" terminal of the master LED driver. Insert the other end into the "GND" terminal of the slave LED driver and tighten the screws.

22: Repeat steps 19 through 21 for additional drivers.

NOTE: Refer to wiring diagrams on pages 7 through 9 to connect wires properly.



- 23:** Connect the hot power wire to the black wires of each power supply and the brown controller power adapter wire with a wire nut.
- 24:** Connect the neutral power wire to the white wires of each power supply and the blue controller power adapter wire with a wire nut.
- 25:** Make sure the power supply is grounded in accordance with local electrical codes.



NOTE: Do not exceed the maximum wattage of the power supply.

26: Use the "Low Voltage Wire Size Chart" on page 1 to determine proper wire size connecting to the DMX terminals.

27: Run the proper size red and black wires from the Tunable White LED strip/fixture to the power supply enclosure.

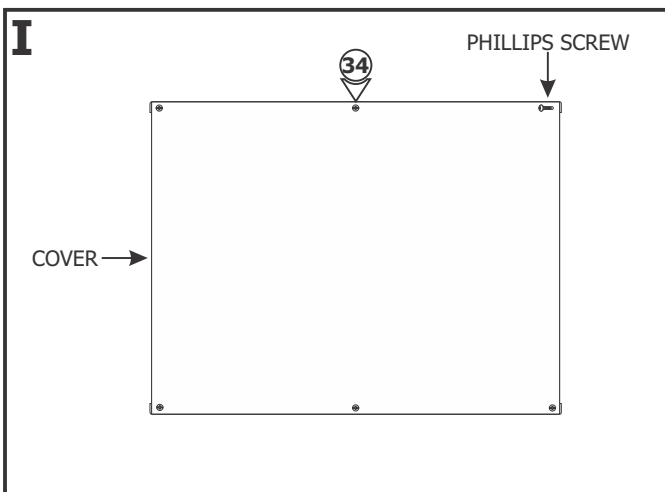
28: Connect the first red wire of the LED strip/fixture to the red "+" DMX terminal and tighten the screw.

29: Connect the second red wire of the LED strip/fixture to the green "+" DMX terminal and tighten the screw.

30: Connect the first black wire of the LED strip/fixture to the red "-" DMX terminal and tighten the screw.

31: Connect the second black wire of the LED strip/fixture to the green "-" DMX terminal and tighten the screw.

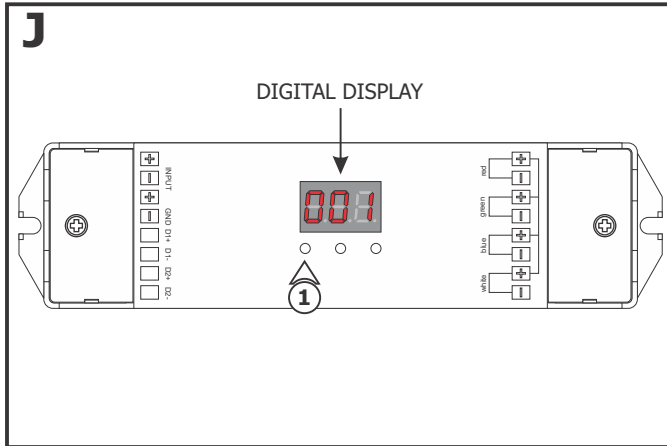
32: Repeat steps 27 through 31 for additional drivers and strips/fixtures.



33: Replace the covers on the DMX driver and secure by tightening the two Phillips screws.

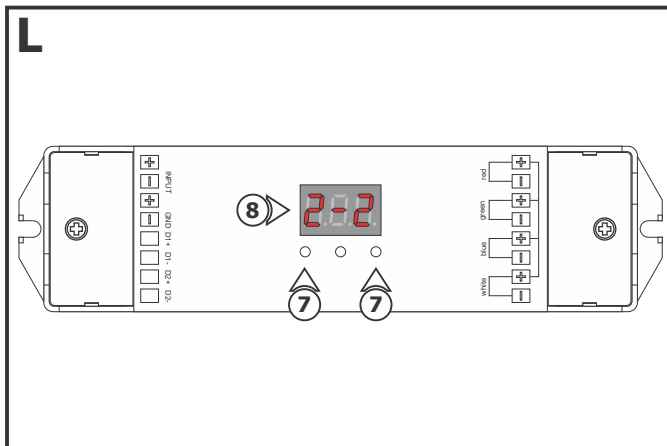
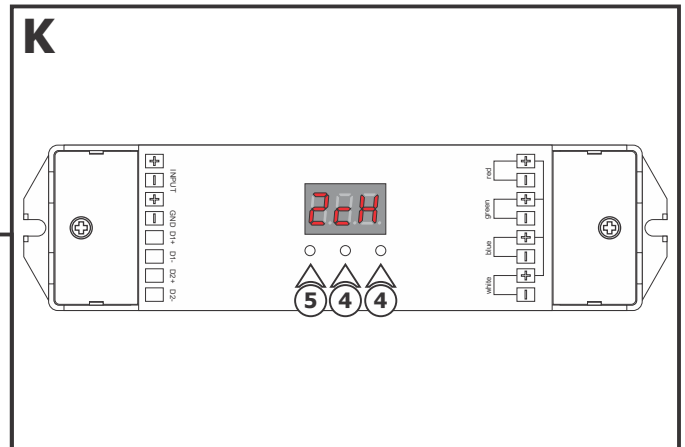
34: Replace the power supply cover and secure it by tightening the six Phillips screws.

Programming Guide



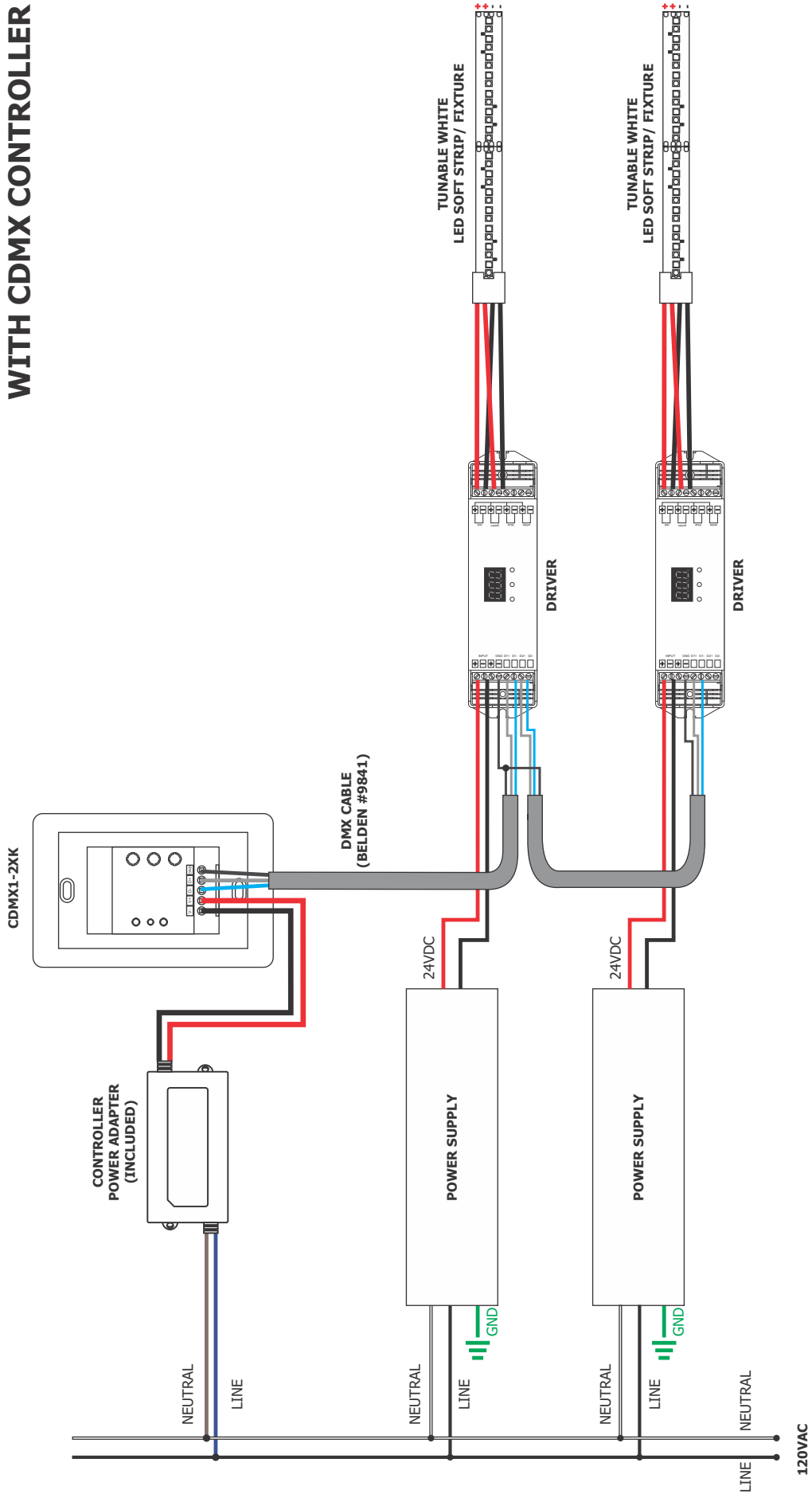
- 1:** Press and hold the first button for two seconds until the digital display flashes to choose a DMX address.
- 2:** Use the three buttons to set the DMX address.
- 3:** Press and hold any button for two seconds to confirm.

- 4:** Press and hold the second and third buttons at the same time for two seconds until the digital display flashes to choose a channel.
- 5:** Press the first button to toggle the channel to 2.
- 6:** Press and hold any button for two seconds to confirm.

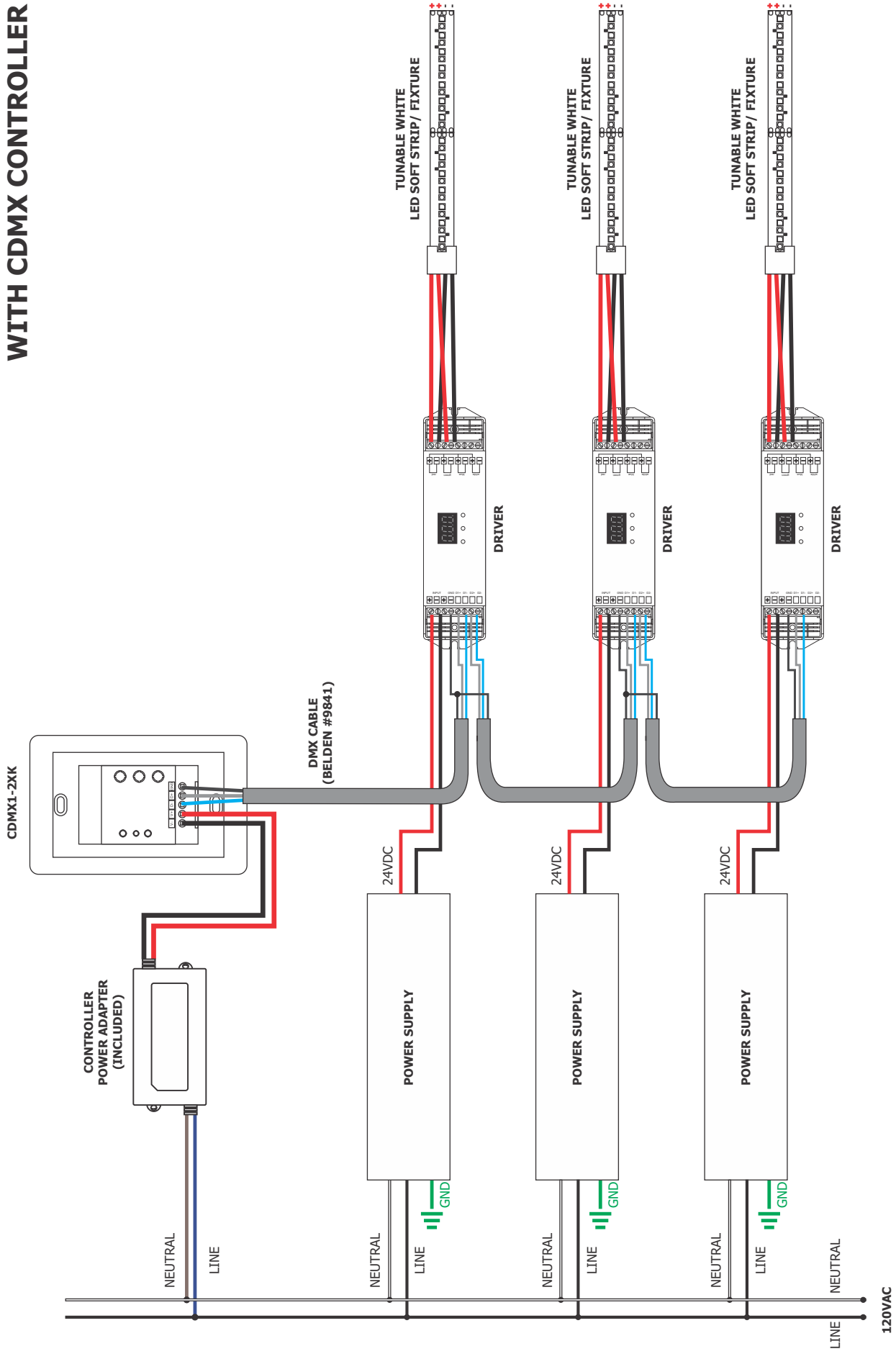


- 7:** Press and hold the first and third buttons at the same time for two seconds until the digital display flashes to enter the PWM frequency settings.
- 8:** Press the first button and toggle to 2, meaning 200Hz. Press the third button and toggle to 2, meaning linear dimming.
- 9:** Press and hold any button for two seconds to confirm.

2X100W WIRING DIAGRAM WITH CDMX CONTROLLER



3X100W WIRING DIAGRAM WITH CDMX CONTROLLER



4X100W WIRING DIAGRAM WITH CDMX CONTROLLER

