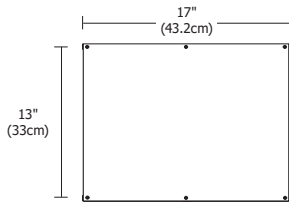


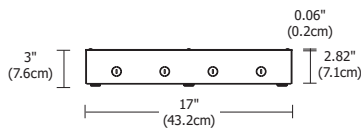
# PSB-4X100W-24VDC-2XK 4X100 WATT 24 VOLT DC TUNABLE WHITE POWER SUPPLY WITH DMX DRIVER

REV.07.31.18

DESIGNED BY GREGORY KAY | ASSEMBLED IN AMERICA



Top View



Side View

## Description

Accepts input voltage in a range of 120-277VAC and outputs 24VDC power up to 4x100 watts. The integrated Tunable White Driver receives signals from CDMX1-2XK to control Tunable White color mixing and light intensity. Power Supply features short circuit and overload protection. Indoor applications only.

## Applications

Indoor\*

\* To avoid overheating the power supply, install it in a ventilated remote location where air flows. Maintain proper spacing among power supplies when multiple power supplies are installed in the same remote location.

## Power Input

120-277VAC, 50/60Hz

## Power Output

Class 2; 24 volts DC 4x4.16A at 4x100 watts maximum

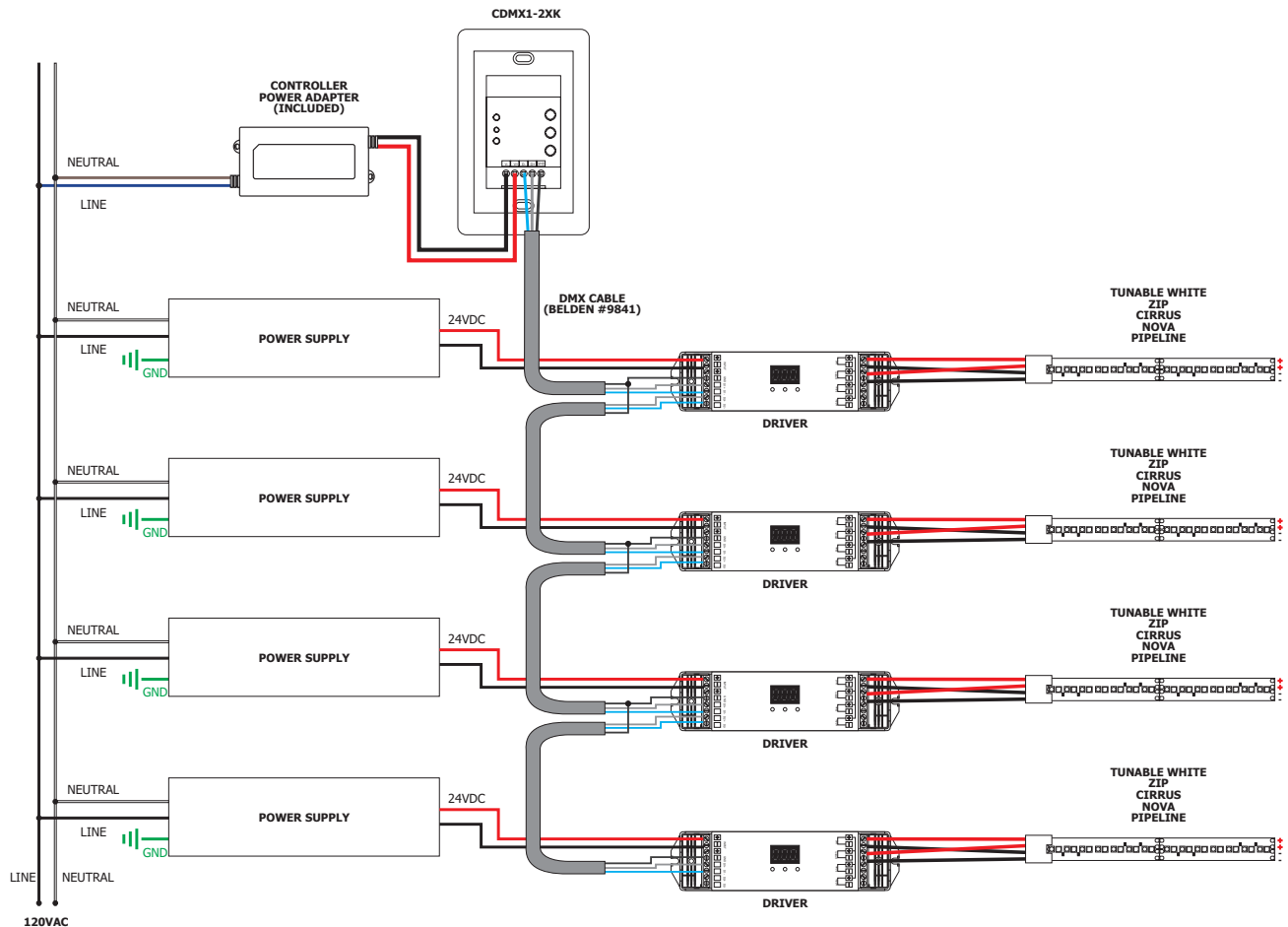
## Dimensions

17" x 13" x 3"

## Compatible Controllers

Tunable White Touch Controller (CDMX1-2XK)

Product	Wattage	Voltage	Mode
<b>PSB</b>	<b>4X100W</b>	<b>24VDC</b>	<b>2XK</b>
<small>PSB Power Supply with Enclosure Box</small>	<small>4X100W 4X100 Watt</small>	<small>24VDC 24 Volt DC</small>	<small>2XK Tunable White</small>



PROJECT	FIXTURE TYPE	DATE
---------	--------------	------