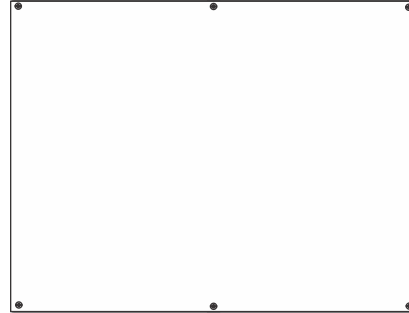




1718 W. Fullerton Chicago, IL 60614  
 Ph: 773.770.1195 • Fax: 773.935.5613  
 www.PureEdgeLighting.com • info@PureEdgeLighting.com  
 © 2016 PureEdge Lighting. All Rights Reserved.

## Installation Instructions for **4 X 100 Watt 24 Volt DC Power Supply with ELV Dimming**



**SAVE THESE INSTRUCTIONS!**

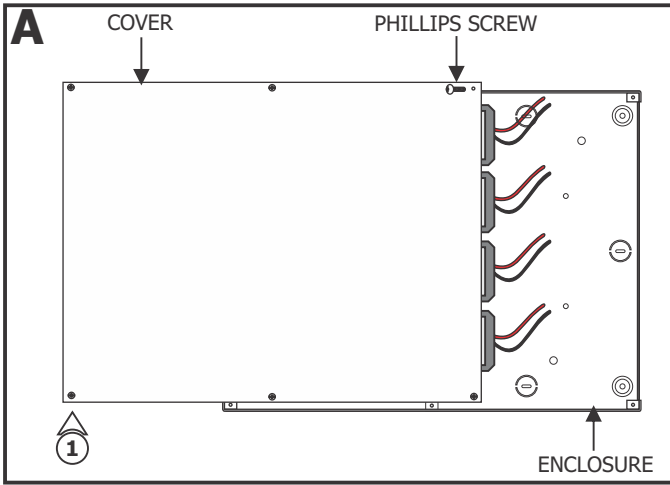
### GENERAL INFORMATION

- **RISK OF FIRE:** This product must be installed by a qualified electrician. Turn the power to the electrical box off during installation. Read the "Important Safety Instructions " before installation.
- **NOTE:** To avoid overheating the power supply, install it in a ventilated remote location where air flows. Maintain proper spacing among power supplies when multiple power supplies are installed in the same remote location.
- This product is not suitable for wet locations. It is approved for the use at any height above the finished floor.
- A typical installation is shown. Specific installation must be in accordance with the local electrical codes.
- **TO REDUCE RISK OF FIRE,** it is important to wire the power supply for the system as described in this installation instruction.

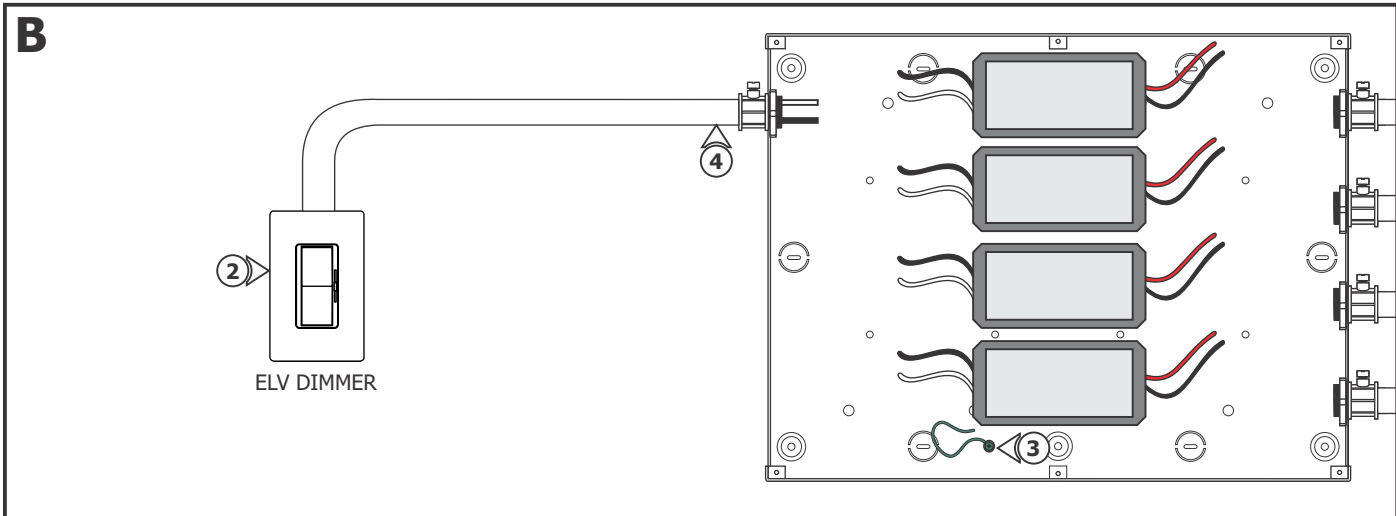
### IMPORTANT SAFETY INSTRUCTIONS

- Do not install this power supply in a wet location.
- To reduce the risk of the system overheating and possibly causing a fire, make sure all the connections are tight.
- Do not install \*LED fixture closer than three inches or as specified in the \*LED fixture installation instructions to curtains or similarly combustible materials. Keep insulation at least 3" away from the enclosure.
- Turn the electrical power off before modifying the lighting system in any way.
- \* See LED fixture installation instructions for proper placement.

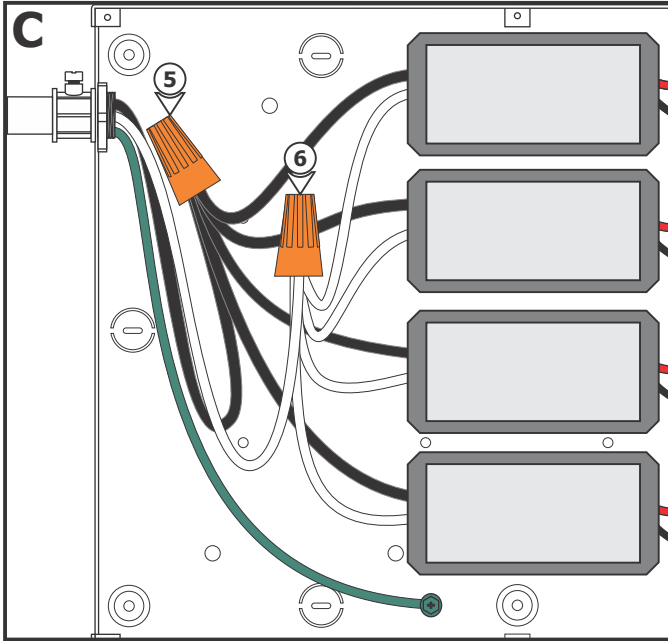
# Install the Power Supply



**1:** Loosen the Phillips screws on the front of the power supply to remove the cover.



- 2:** Install the ELV dimmer and run the line voltage wires from the dimmer to the enclosure box. (Refer to the ELV dimmer instructions and wiring diagram on page 4 for more info.)
- 3:** Ensure that the power supply enclosure is grounded in accordance with local electrical codes.
- 4:** Remove knockouts from the power supply enclosures and route 120VAC hot and neutral wires from the ELV dimmer to the power supply enclosure.

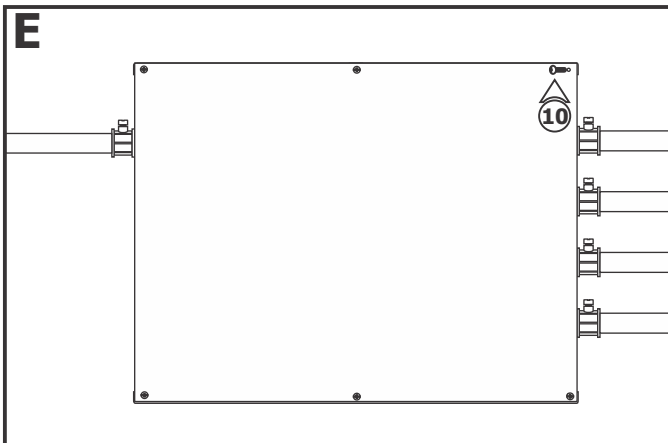
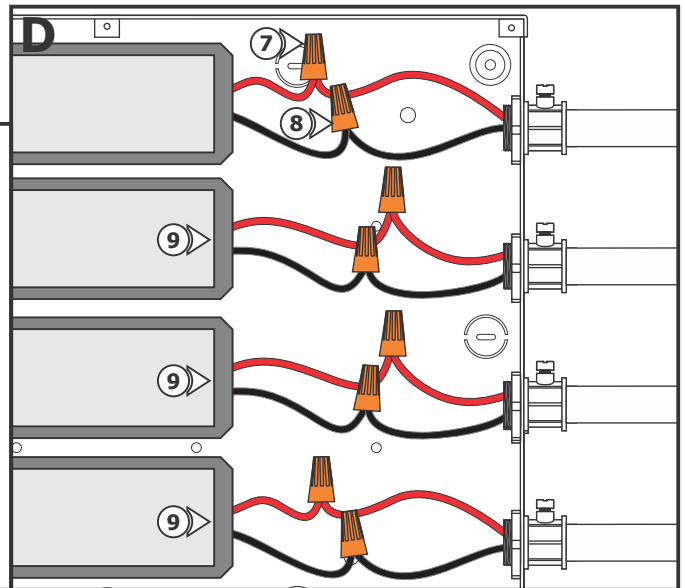


- 5:** Connect the 120VAC hot wire from the dimmer to the black wire of each power supply using a wire nut.
- 6:** Connect the 120VAC neutral wire from the dimmer to the white wire of each power supply using a wire nut.

**NOTE:** Use only 24 volt LED soft strip with this power supply.

**NOTE:** Refer to installation instruction included with Snap and light connector to complete power connection to Soft Strip.

- 7:** Connect the red (+24VDC) wire from one power supply to the red wires of one LED soft strip with a wire nut.
- 8:** Connect the black (-24VDC) wire from the same power supply to the black wires of the same LED soft strip with a wire nut.
- 9:** Repeat steps 7 and 8 for the other power supplies and other LED soft strips.



- 10:** Replace the power supply cover and secure it by tightening the Phillips screws.

# Overall Wiring Diagram

