



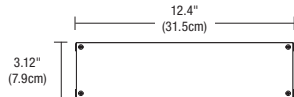
PSB-60W-010-24VDC

60 WATT 24 VOLT DC POWER SUPPLY

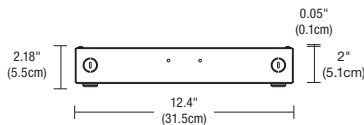


DESIGNED BY GREGORY KAY | ASSEMBLED IN AMERICA

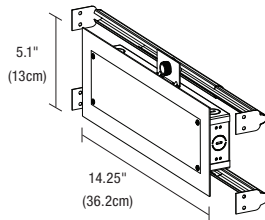
REV 07.22.19



Top View



Side View



PSB-60W-010-24VDC-IW

Description:

Accepts input voltage in a range of 120 - 277VAC and outputs 24VDC power up to 60 watts. Can be used as a dimmable or non-dim Power Supply. The low voltage output dims down to 1% when two additional wires are connected to a 0-10V dimmer. The enclosure provides a space inside for electrical connections. In-Wall Power Supply Kit includes power supply, box cover and stud hangers for installing Junction Box in wall. Power Supply features short circuit and overload and over temperature protection. Indoor applications only.

Applications: Indoor*

*To avoid overheating the power supply, install it in a ventilated remote location where air flows. Maintain proper spacing (6") among power supplies when multiple power supplies are installed in the same remote location.

Mounting:

Remote mounted with conduit access

Power Input:

120-277AC

Power Output:

Class 2; 24 volts DC 2.5A, 60 watts maximum

Efficiency:

85%

Dimensions:

PSB-60W-010-24VDC: 12.4" x 3.12" x 2.18"

PSB-60W-010-24VDC-IW: 14.25" x 5.1" x 2.1"

Ambient Operating Temperature:

-25C to 40C

Dimmer Type:

Signify (Phillips) Sunrise Dimmer: SR1200ZTUNV

Lutron Dimmer: DIVA: DVTV-WH or NOVA-T: NTSTV-DV-XX

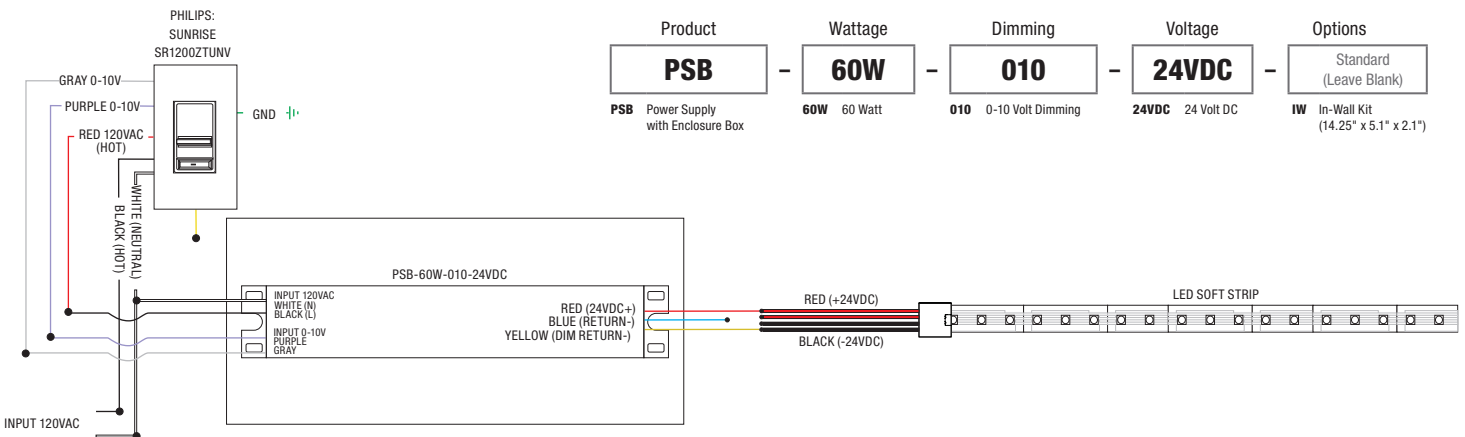
Leviton Dimmer: LEV40050, IP710-LFZ, IP710-DLZ (Built in LED locator light)

Legrand Dimmer: ADPD4FBL3P2W4

Lutron Systems: Lutron GRAFIX Eye QS Main Unit (with DRX-TVI) Radio Ra2 (with GRX-TVI)

Dimming Curve:

Linear, Logarithmic 100% - 7% (HydraDrive)



Product	Wattage	Dimming	Voltage	Options
PSB	60W	010	24VDC	Standard (Leave Blank)
PSB Power Supply with Enclosure Box	60W 60 Watt	010 0-10 Volt Dimming	24VDC 24 Volt DC	IW In-Wall Kit (14.25" x 5.1" x 2.1")

PROJECT	FIXTURE TYPE	DATE
---------	--------------	------