



1718 W. Fullerton Ave
Chicago, IL 60614
Tel: 773-770-1195
Fax: 773-935-5613
www.edgelighting.com
info@edgelighting.com

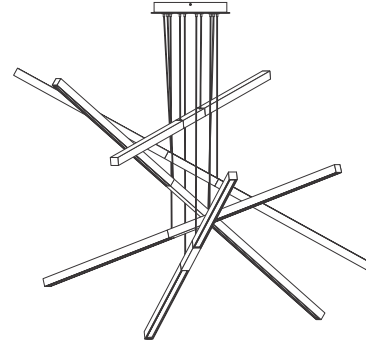
PX_P-TX- - - - -

Installation Instructions for Pix Stick Tie Stix Suspension 2-Light, 3-Light, 4-Light and 5-Light with Power

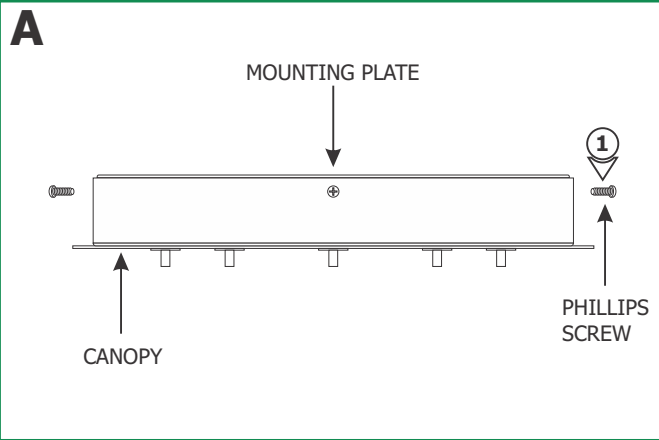
IMPORTANT INFORMATION

- This product is suitable for indoor locations.
- This instruction shows a typical installation.
- PX5P is shown for demonstration purposes.
- It is recommended more than one person assist in this installation.

SAVE THESE INSTRUCTIONS!

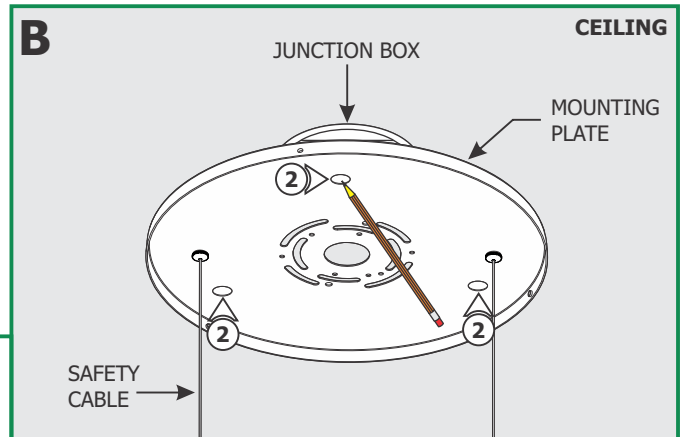


Section One: Install the Canopy



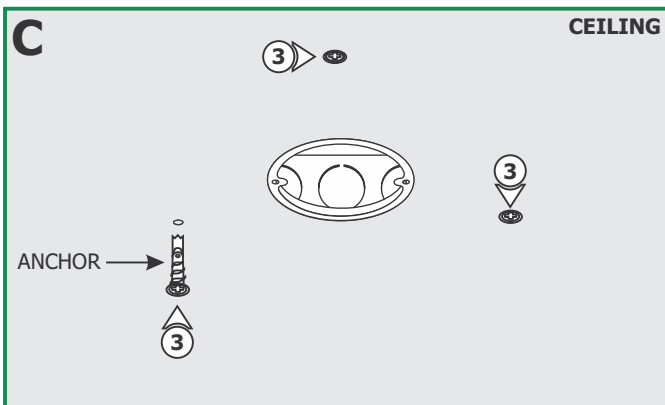
NOTE: Before beginning any electrical work, ensure that power to the electrical box is turned off.

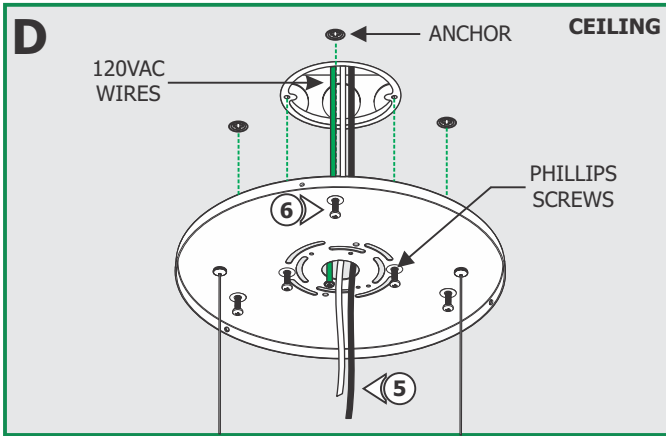
1: Loosen and remove the three Phillips screws from the canopy to remove the mounting plate.



2: Align the mounting plate holes with the junction box holes and mark the points through the mounting plate holes onto the ceiling. These points are used for the anchors.

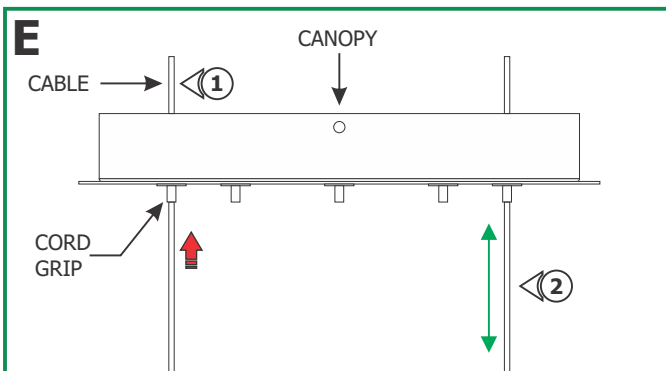
3: Tap the anchors onto the marked points up to the threaded portion with a hammer. Then screw in the threaded portion with a Phillips screw driver.





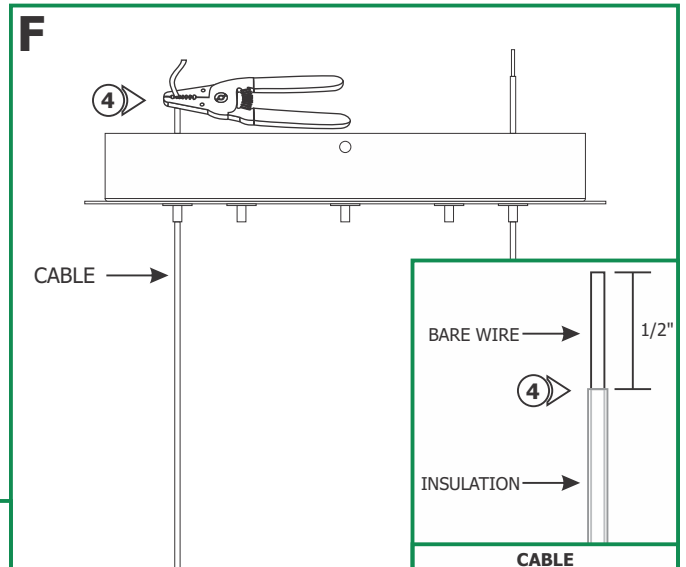
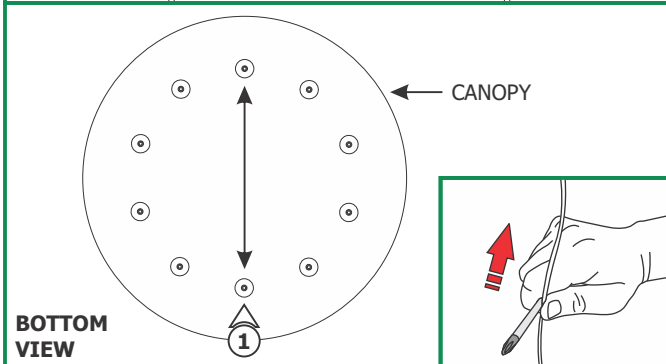
- 4:** Make sure the mounting plate is grounded in accordance with local electrical codes.
- 5:** Feed the 120VAC power wires through the center hole of the mounting plate.
- 6:** Secure the mounting plate to the junction box and anchors using the provided Phillips screws and washers.

Section Two: Install the Fixture

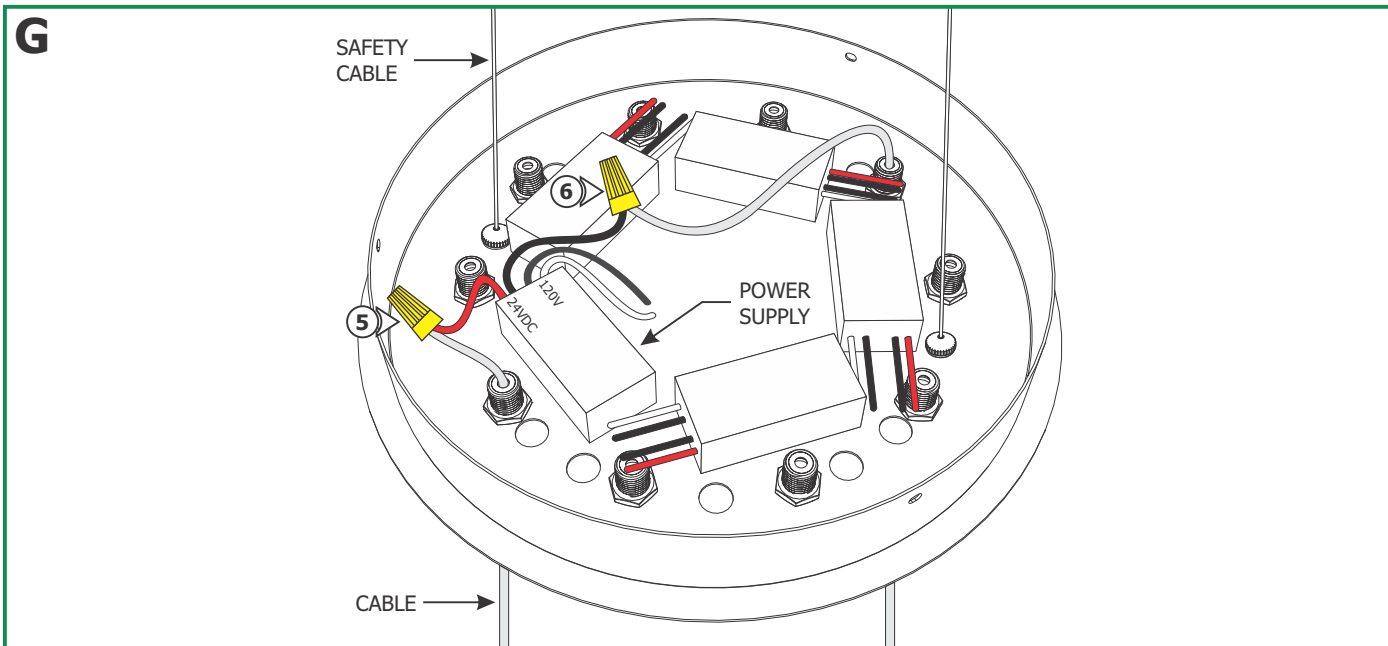


- 1:** Push each cable from the channel through the cord grips on the canopy. Ensure the cables are installed directly across from each other on the canopy.
- 2:** Adjust the fixture height by pushing the tab on the cord grip to slide the fixture up and down. Release the tab to lock the cable in place. Stagger the height of the channel, if needed.
- 3:** Trim excess cable, leaving about 1' of cable inside to finish electrical connections.

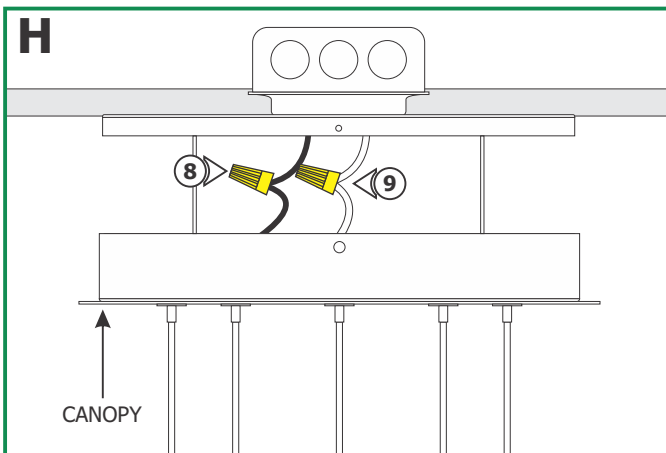
NOTE: If cable is curled or kinked, straighten by holding between the shaft of a screwdriver and thumb and pulling the cable through.



- 4:** Use the #16 gauge hole of the AWG wire strippers to strip 1/2" of the outer plastic insulation from the cables.

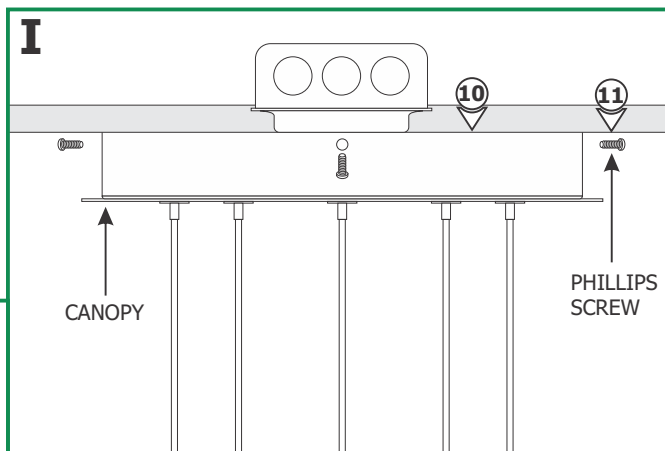


- 5:** Connect the bare wire from the +24VDC cable of one channel to the +24VDC red wire of one power supply using a wire nut.
- 6:** Connect the bare wire from the -24VDC cable of the same channel to the -24VDC black wire of the same power supply using a wire nut.
- 7:** Repeat steps 1 through 6 for each channel and power supply.



- 8:** Connect the white wire from each power supply to the neutral power wire with a wire nut.
- 9:** Connect the black wire from each power supply to the hot power wire with a wire nut.

- 10:** Place all the wires and wire nut connections inside the canopy.
- 11:** Align and secure the canopy to the mounting plate by tightening the three Phillips screws.

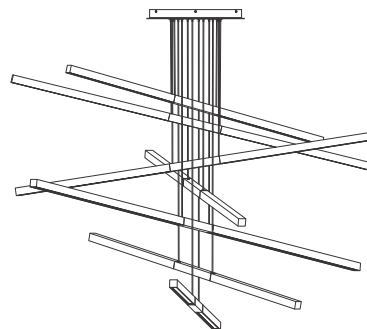


Installation Instructions for Pix Stick Tie Stix Suspension 7-Light and 9-Light with Power

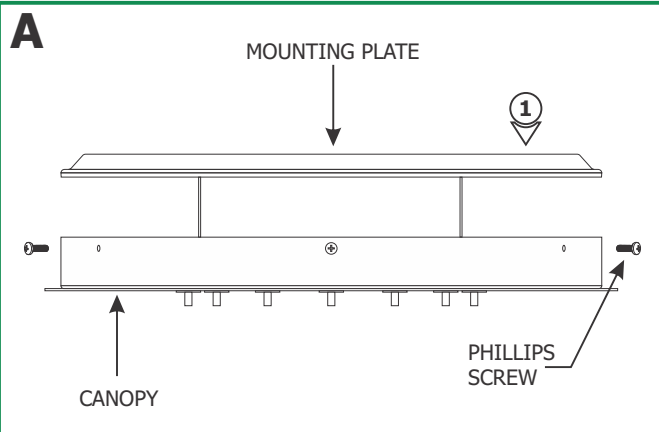
IMPORTANT INFORMATION

- This product is suitable for indoor locations.
- This instruction shows a typical installation.
- PX7P is shown for demonstration purposes.
- It is recommended more than one person assist in this installation.
- Before beginning any electrical work, ensure that the power to the electrical box is turned off.

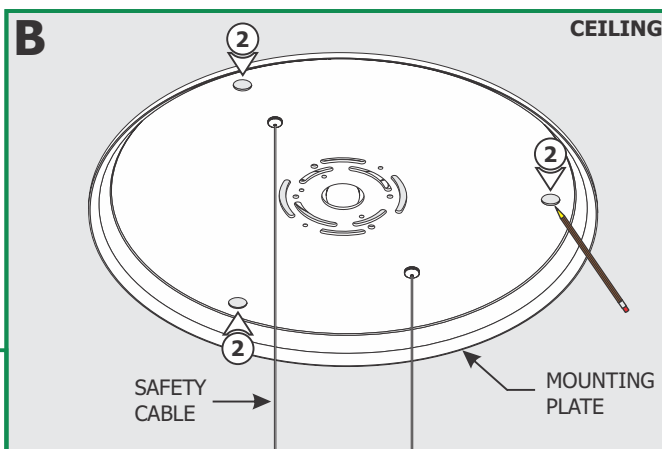
SAVE THESE INSTRUCTIONS!



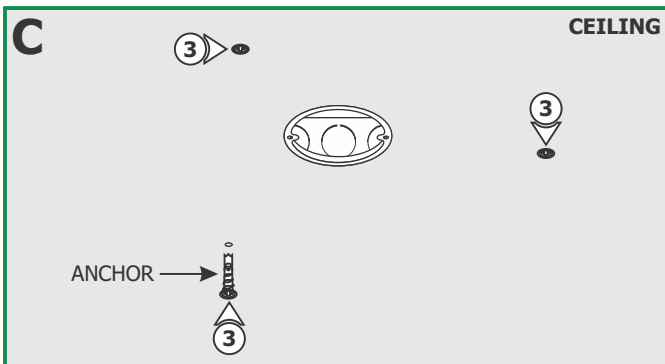
Section One: Install the Canopy



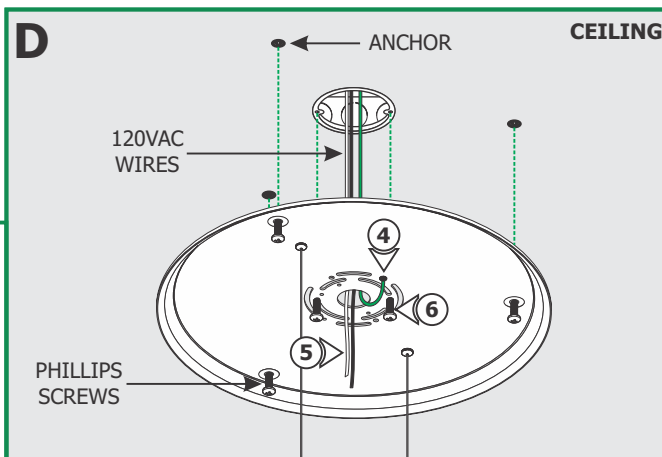
- 1:** Loosen and remove the six Phillips screws from the canopy to remove the mounting plate.



- 2:** Align the mounting plate holes with the junction box holes and mark the points through the mounting plate holes onto the ceiling. These points are used for the anchors.

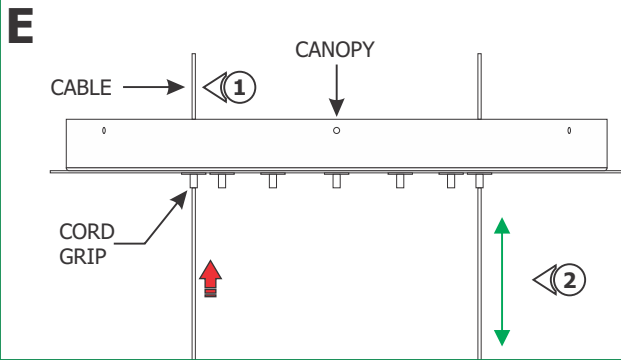


- 3:** Tap the anchors onto the marked points up to the threaded portion with a hammer. Then screw in the threaded portion with a Phillips screw driver.



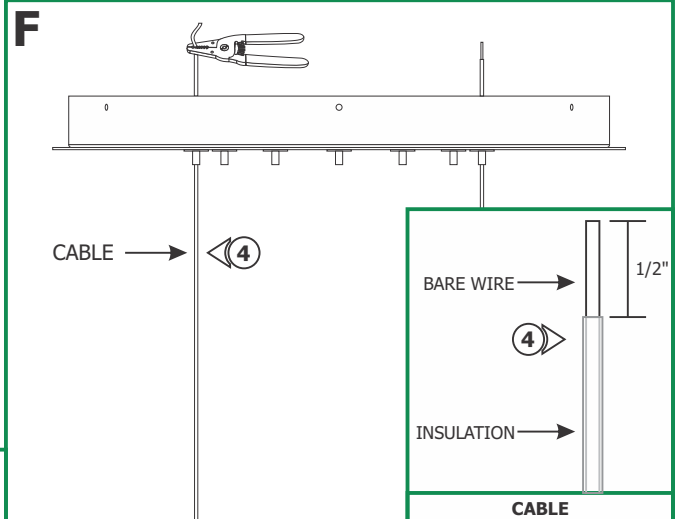
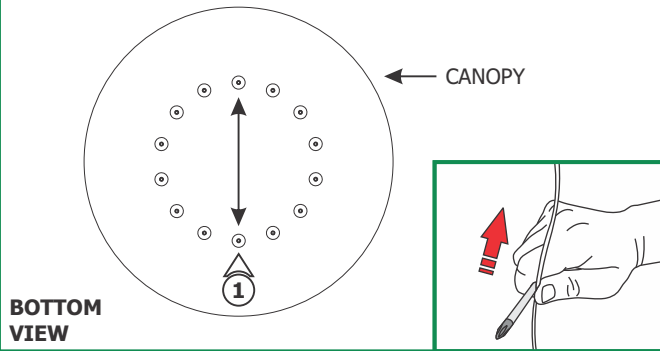
- 4:** Make sure the mounting plate is grounded in accordance with local electrical codes.
- 5:** Feed the 120VAC power wires through the center hole of the mounting plate.
- 6:** Secure the mounting plate to the junction box and anchors using the provided Phillips screws and washers.

Section Two: Install the Fixture

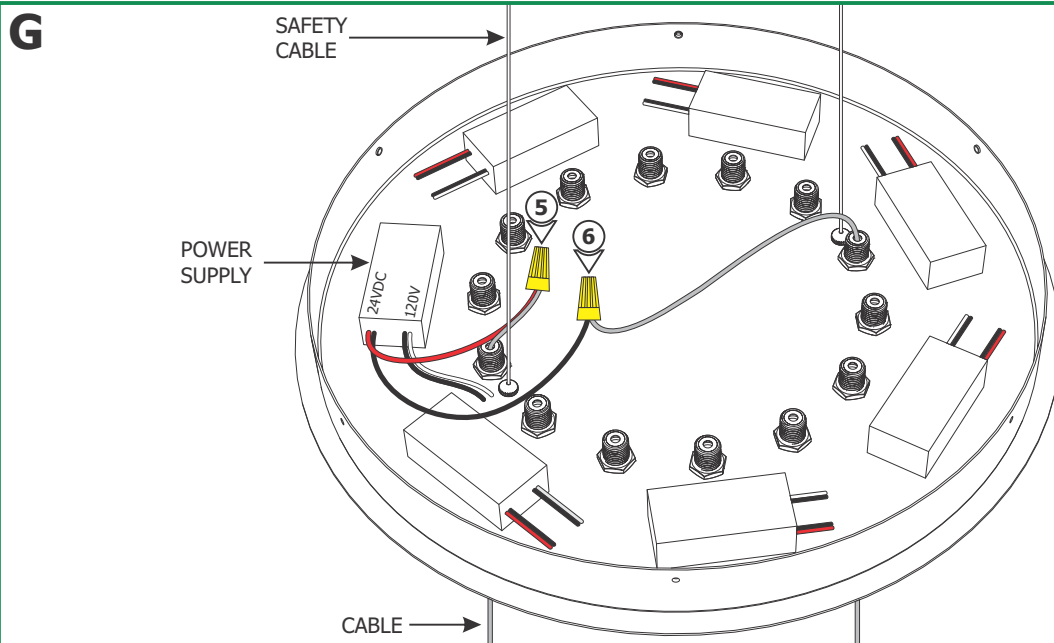


- 1:** Push each cable from the channel through the cord grips on the canopy. Ensure the cables are installed directly across from each other on the canopy.
- 2:** Adjust the fixture height by pushing the tab on the cord grip to slide the fixture up and down. Release the tab to lock the cable in place. Stagger the height of the channel, if needed.
- 3:** Trim excess cable, leaving about 1' of cable inside to finish electrical connections.

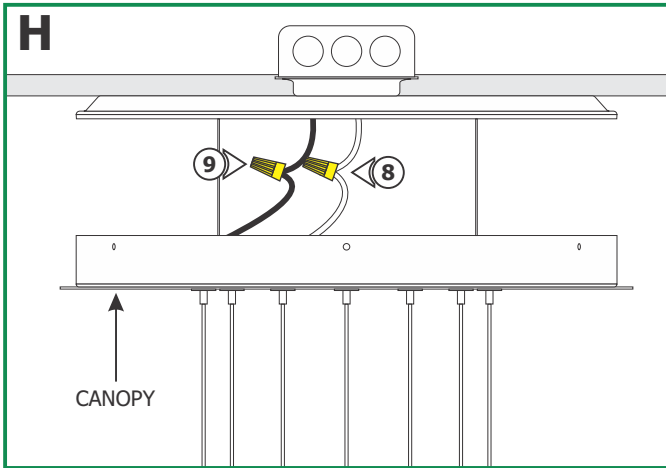
NOTE: If cable is curled or kinked, straighten by holding between the shaft of a screwdriver and thumb and pulling the cable through.



- 4:** Use the #16 gauge hole of the AWG wire strippers to strip 1/2" of the outer plastic insulation from the cables.



- 5:** Connect the bare wire from the +24VDC cable of one channel to the +24VDC red wire of one power supply using a wire nut.
- 6:** Connect the bare wire from the -24VDC cable of the same channel to the -24VDC black wire of the same power supply using a wire nut.
- 7:** Repeat steps 1 through 6 for each channel and power supply.



8: Connect the white wire from each power supply to the neutral power wire with a wire nut.

9: Connect the black wire from each power supply to the hot power wire with a wire nut.

10: Place all the wires and wire nut connections inside the canopy.

11: Align and secure the canopy to the mounting plate by tightening the six Phillips screws.

