

FJ-SALUTI-SM-L1-___
 FJ-SALUTI-MD-L1-___
 FJ-SALUTI-LG-L1-___





© 2015 Edge Lighting. All Rights Reserved.

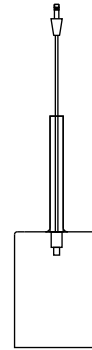
1718 W. Fullerton Ave
 Chicago, IL 60614
 Tel: 773-770-1195
 Fax: 773-935-5613
 www.edgelifting.com
 info@edgelifting.com

Installation Instructions for **Fast Jack Saluti Pendant**

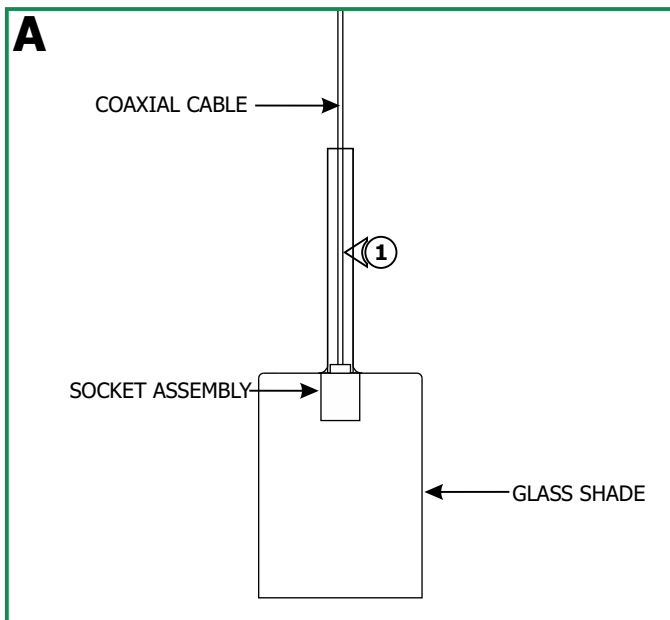
IMPORTANT INFORMATION

- This product is ETL listed for indoor dry locations.
- The product is intended to be used with Edge Lighting Monorail systems only.

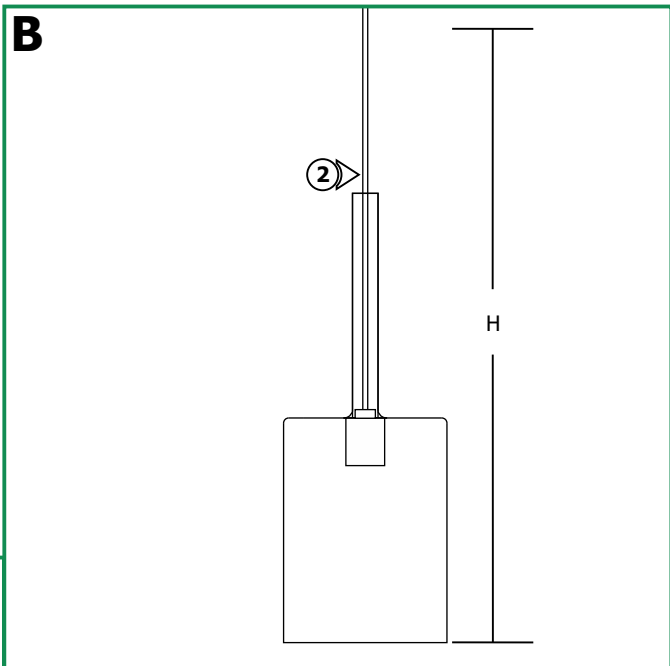
SAVE THESE INSTRUCTIONS!



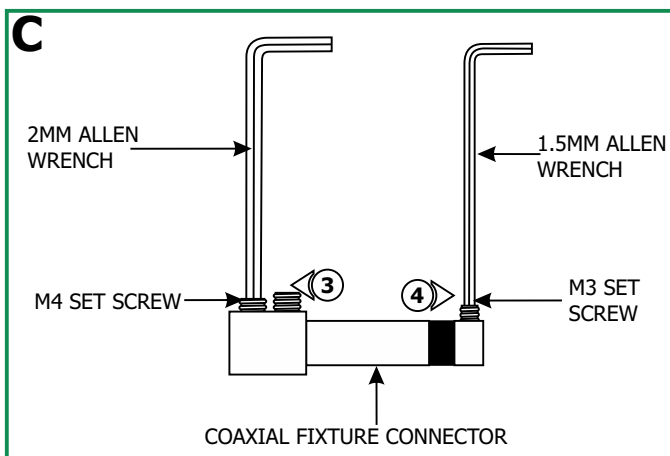
Installation for Fast Jack and Monorail



1: Feed the coaxial cable through the glass shade, and rest the glass shade over the socket assembly.

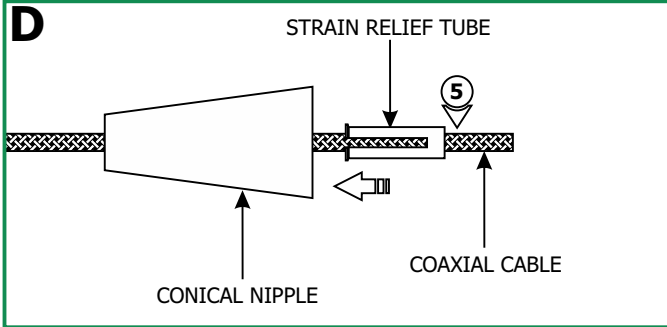


2: Cut the coaxial cable to the desired height (H) with a sharp cutter. The overall fixture height is measured from the bottom of the glass shade to the end of the coaxial cable.

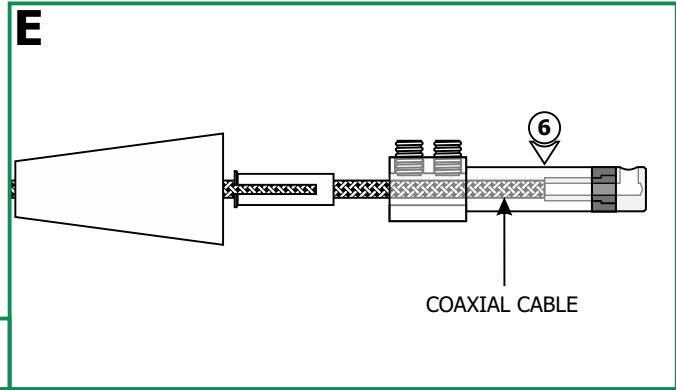


3: Loosen the two M4 set screw on base of the coaxial fixture connector with the 2mm Allen wrench provided. **Do not remove these set screws.**

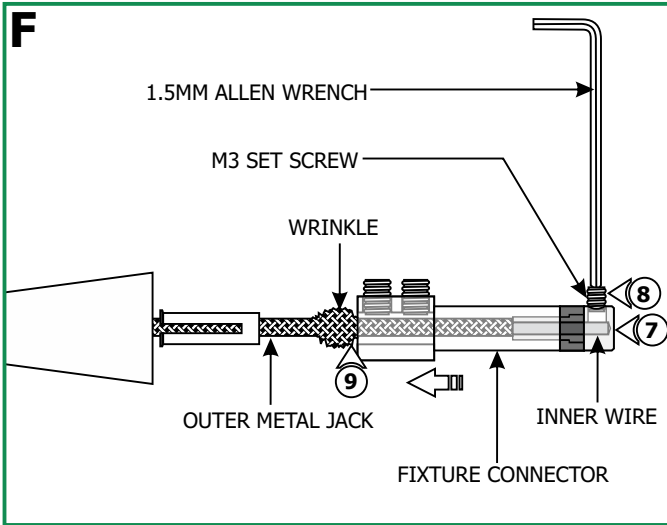
4: Remove the M3 set screw on tip of the connector with the 1.5mm Allen wrench provided.



5: Feed the coaxial cable through the conical nipple and flared side of the strain relief tube. Slide the conical nipple and strain relief tube down the coaxial cable.



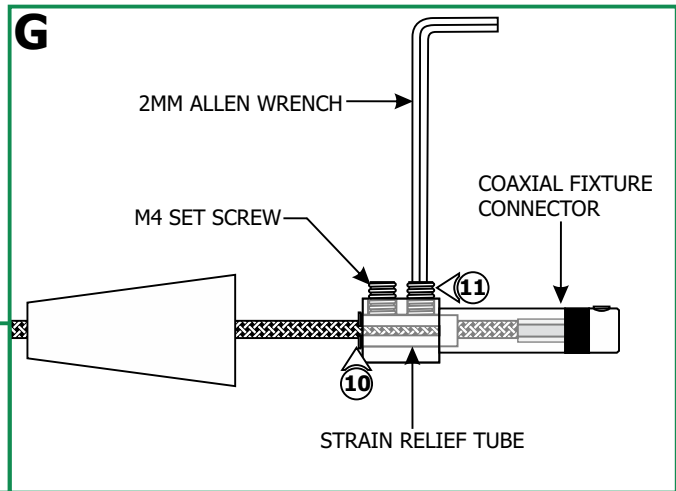
6: Feed the coaxial cable into the coaxial fixture connector. The coaxial cable will come to a stop point.



7: Keep feeding the coaxial cable in until the inner wire is visible in the screw hole of the fixture connector tip. The outer metal jacket will start to wrinkle.

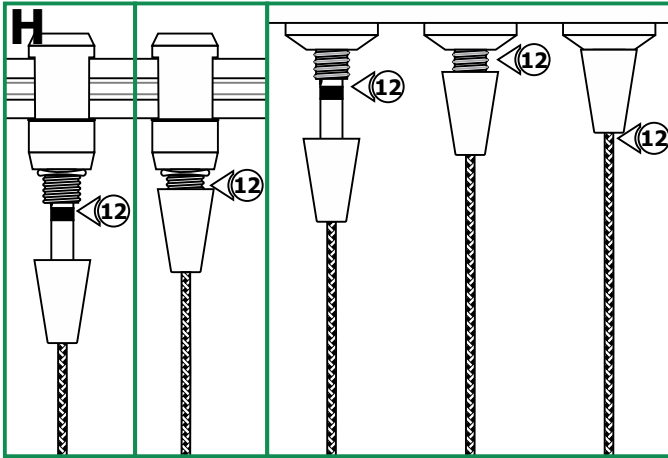
8: Hold the fixture connector in place. Replace and tighten the M3 set screw on fixture connector tip with the 1.5mm Allen wrench.

9: Pull down the outer metal jacket to smooth the wrinkles.



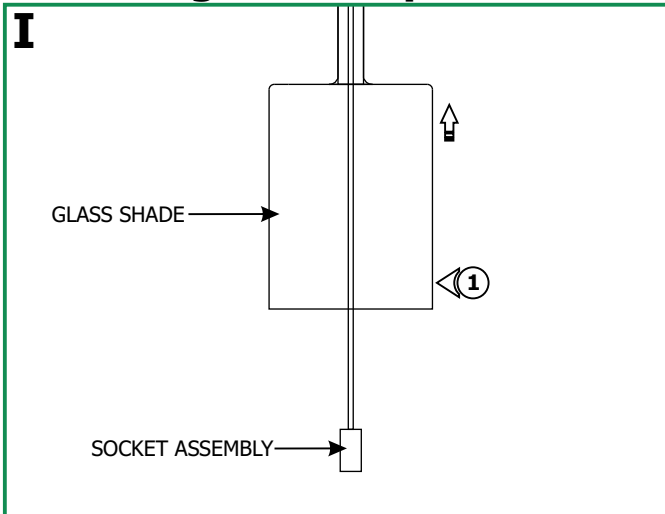
10: Push the strain relief tube completely into the coaxial fixture connector. Make sure the slot on the strain relief tube is not inline with the M4 set screw.

11: Tighten the two M4 set screws with the 2mm Allen wrench.

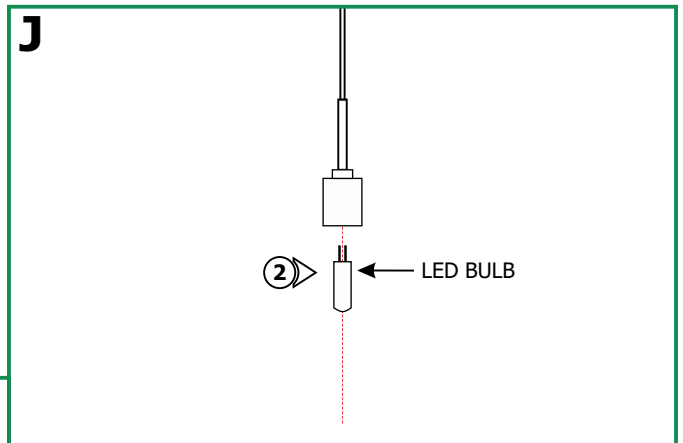


12: Use fingers to tighten the Fast Jack fixture connector into the Fast Jack system connector (Monorail, Monorail Wall, Monorail 2 Circuit, or multi-port and mono-point canopies. Refer to the instructions provided with the system connector or canopy).

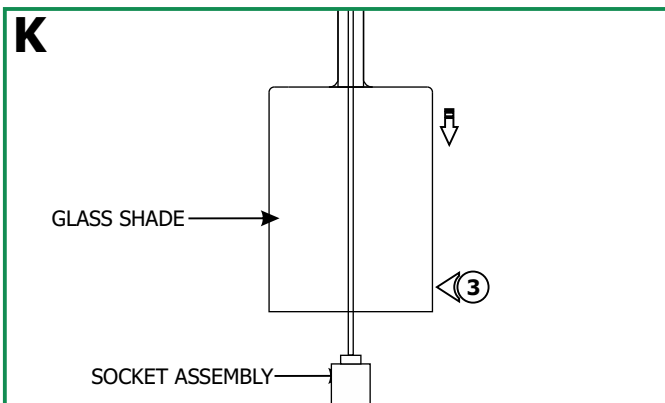
Installing the Lamp



1: Lift the glass shade up to expose the socket assembly.



2: Insert LED bulb into 2-pronged socket, and re-attach the bottom portion of the fixture



3: Carefully lower the glass shade onto the socket assembly.

NOTE: Use only a clean damp towel to clean the glass shade . Do not use any cleaning solutions which may damage the finish of the glass shade.