



1718 W. Fullerton Chicago, IL 60614
 Ph: 773.770.1195 • Fax: 773.935.5613
 www.PureEdgeLighting.com • info@PureEdgeLighting.com
 © 2016 PureEdge Lighting. All Rights Reserved.

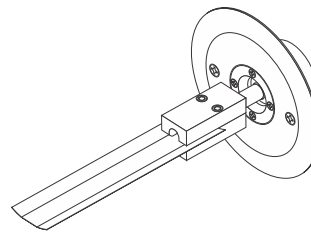
Installation Instructions for **Soft Line**

SL_-24V_-

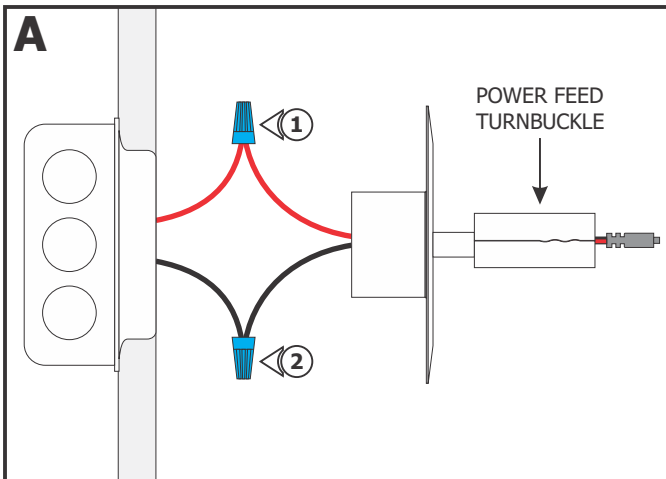
IMPORTANT INFORMATION

- This instruction shows a typical installation.
- This product is ETL listed.

SAVE THESE INSTRUCTIONS!



Section One: Install the Turnbuckle

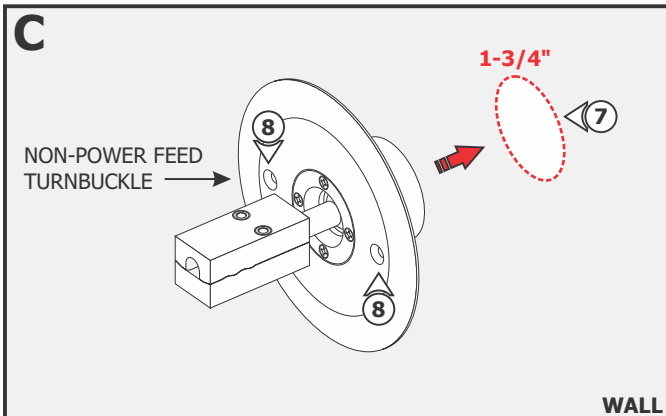
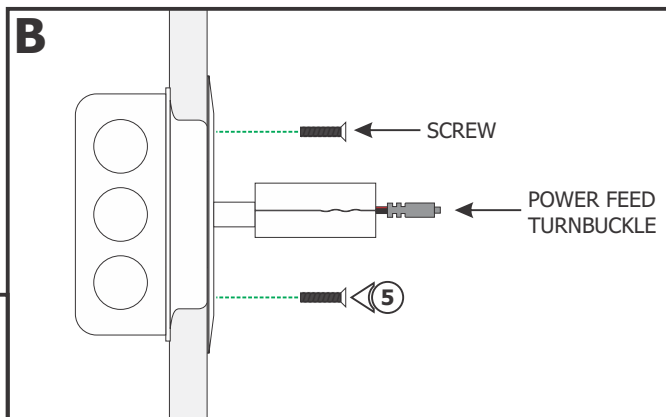


NOTE: The low voltage wires should be present in the electrical box. Refer to the instructions provided with the power supply to install the low voltage wires before proceeding with the steps below.

- 1: Connect the red power feed turnbuckle wire to the red power supply wire with a wire nut.
- 2: Connect the black power feed turnbuckle wire to the black power supply wire with a wire nut.
- 3: For double row of soft strip, repeat steps 1 and 2 for the other set of power wires and second power supply.

4: Place all wires inside the electrical box.

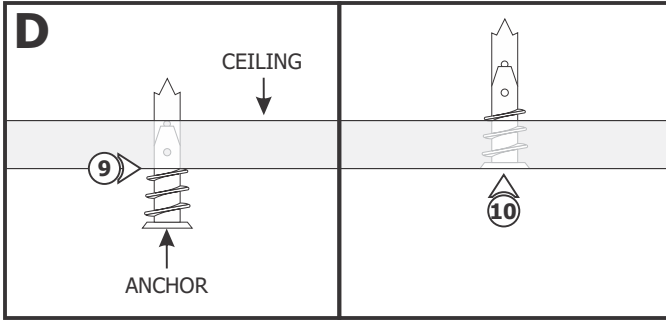
5: Secure the power feed turnbuckle to the electrical box by tightening the two provided screws.



6: Determine the location for the non-power feed turnbuckle, either face to face with the power feed turnbuckle (up to 40 feet away) or diagonal up to 120° from the power feed turnbuckle.

7: Use only a 1-3/4" circular saw to cut out the drywall where the turnbuckle is going to be installed.

8: Place the turnbuckle into the hole and mark the two screw holes.



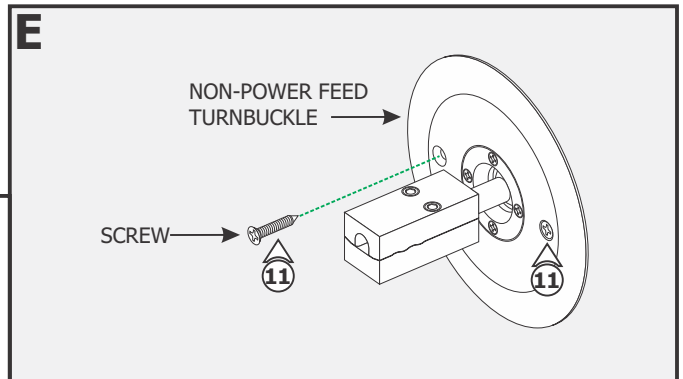
NOTE: Omit steps 9 and 10 if installing to a wood surface.

9: Tap the anchors onto the marked points up to the threaded portion with a hammer.

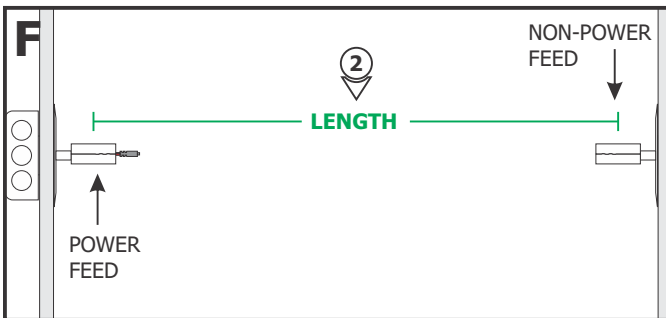
10: Screw in the threaded portion of the anchors with a Phillips screwdriver.

11: Push the non-power feed turnbuckle into the 1-3/4" cutout hole. Align the holes with the turnbuckles and secure it in place with the two #8 screws.

NOTE: The Soft Line turnbuckle rotates maximum 60 degrees in any direction allowing the Soft Line to be installed diagonally.



Section Two: Install the Soft Line



1: Slightly loosen (**Do Not Remove**) the four phillips screws on adjustment link of each turnbuckle.

2: Measure the distance between the two Turnbuckles hex screw heads to determine the Soft Line length.

3: Cut the Soft Line to determined length.

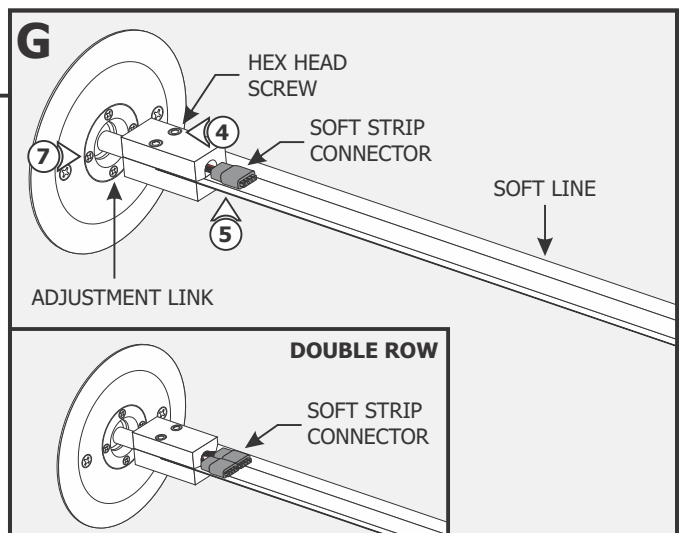
4: Slightly loosen the two hex head screws on each turnbuckle with provided Allen wrench.

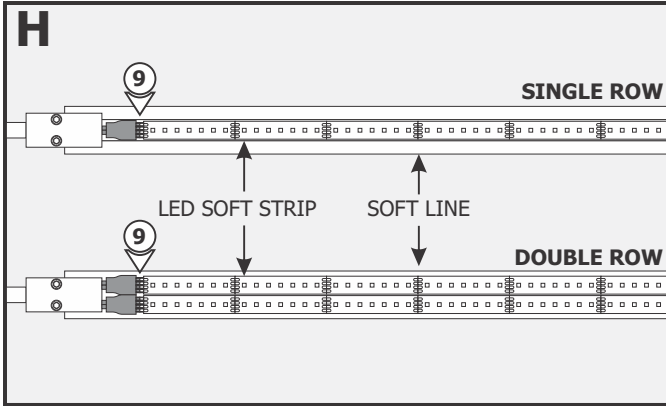
NOTE: The Soft Line must be inserted completely in line with turnbuckles to hold the tension.

5: Carefully insert the Soft Line, with the soft strip connector(s) exposed, into the power feed turnbuckle making sure to fasten the two hex screws very tight with provided Allen wrench.

6: Insert the other end of the Soft Line onto the opposite turnbuckle and tighten the two hex head screws.

7: Tighten the four phillips screws on each turnbuckle adjustment links for Soft Line to stay taut.





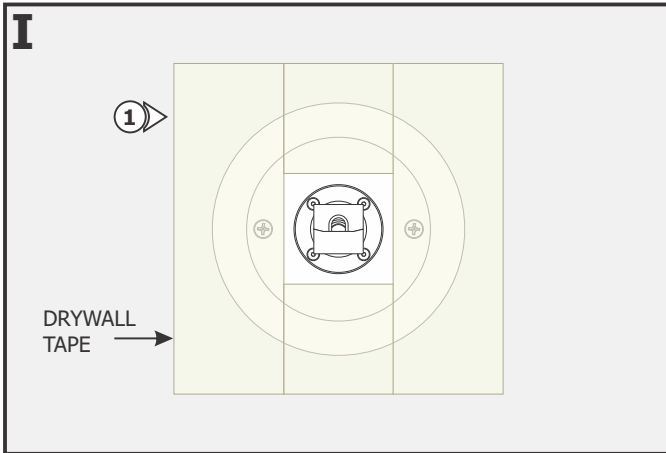
8: Clean the Soft Line surface thoroughly with alcohol (pads provided) where the LED soft strip(s) will be installed.

9: Connect the soft strip male connector to the power feed female connector. Remove the backing from the LED soft strip(s) and firmly press down onto the channel surface.

10: If necessary, trim excess LED soft strip ONLY on the dashed cuttable section.

NOTE: Repeat step 7 so that the Soft Line stays taut.

Section Three: Plaster the Turnbuckle (Optional)

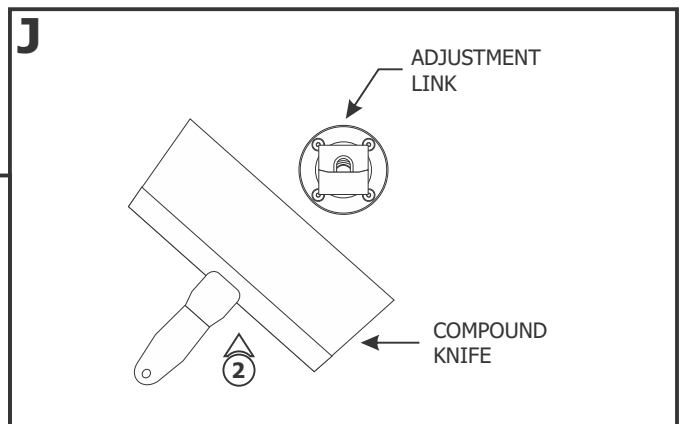


1: Apply drywall tape (Ultra-Thin drywall tape suggested) along edges of turnbuckle back plate to prevent cracking of plaster. **Do Not** overlap strips of drywall tape.

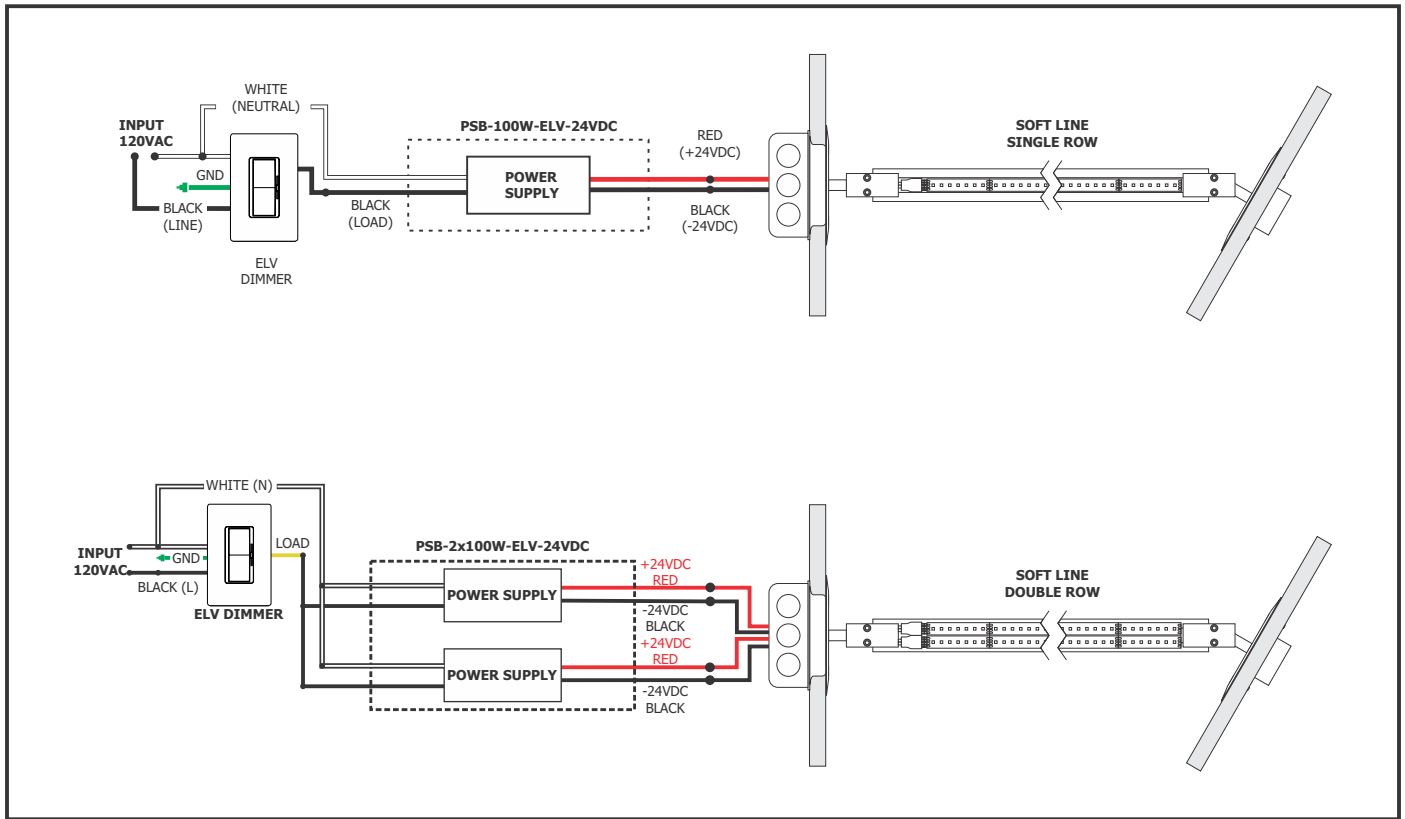
NOTE: Recommended plaster method: 1st Coat - Durabond 45 with 8" Blade, 2nd Coat - Easy Sand 45 with 10" Blade, 3rd Coat - Joint Compound with 12" Blade

2: Plaster, sand and paint the surface. **Do not** plaster over adjustment link.

3: Clean the edges around the adjustment link.



General ELV Wiring Diagrams



General 0-10V Wiring Diagrams

