



T24-DELS-SP-30K-WH



T24-DELS-SP-30K-BK

**DESCRIPTION**

The Delta Small is an 6.9 watt, 24VDC LED Track Head with three changeable optic reflectors, 3000K-1800K (Warm Dim) or Standard 3000K, 95 CRI with R9-76 Integral LED chip. The fixture design is of a flat-back cone heat sink that swivels 90° vertically and 360° horizontally. The 24 Low Voltage Track Connector allows you to choose the mounting system from TS24 Surface Mount Track, TR24 Recessed Track, Nova or Pipeline low voltage systems. The small package of Delta Small Track Head offers to consumers maximum light output with a low wattage.

**FINISH & MATERIAL**

- Finished in Black or White Powdered Paint
- Cast Aluminum
- Tilt: 90°
- Rotation: 360°

**MOUNTING OPTIONS**

Mounts to any T24 (24VDC track) including TM24 Surface Track, TR24 Recessed Track, Nova Track (NCTR Surface or NSTR Suspension) or Pipeline Track (P1CTR Surface or P1STR Suspension)

**REFLECTORS**

Field changeable single optic reflector gives a smooth uniform beam at 20°, 40°, or 60° beam spreads

**APPLICATIONS**

Suitable for damp or dry locations, interior use only

**INTEGRAL LED LAMP**

6 Watts at 545 Lumens, Warm Dim Color Temperature at 3000K-1800K, 96 CRI, R9-82, Rf-92.7, Rg-100.3

6.96 Watts at 478 Lumens, Static White Temperature at 3000K, 94.9 CRI, R9-76, Rf-93.2, Rg-98.8

**POWER SUPPLY IN CANOPY**

- Remote Power Supply: 120V input/24VDC output (Track and Power Supply, sold separately) PSB-96W-010-24VDC Power Supplies, sold separately
- Frequency: 120HZ

**DIMMING**

- Dimmable to 1% Percent, Flicker less than 2%
- 0-10 Volt dimming only. Compatible with Lutron Diva, Skylark and Legrand 0-10 Volt dimmers

**ACCESSORIES**

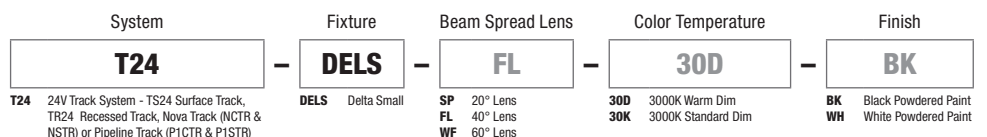
DELTA SMALL	ORDERING CODE
20° BEAM SPREAD	REF-1.375-SP
40° BEAM SPREAD	RED-1.375-FL
60° BEAM SPREAD	REF-1.375-WF

**COMPLIANCE LABEL**

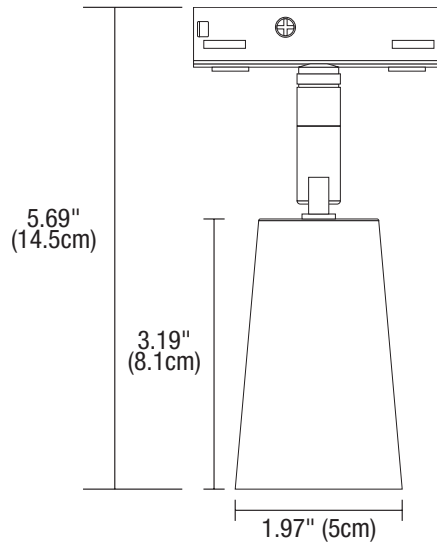
ETL (Conforms to UL1598 and CSA 22.2 #250.0). Title 24

**WARRANTY**

5 year warranty. See PureEdgeLighting.com



PROJECT	FIXTURE TYPE	DATE	
---------	--------------	------	--



**LAMP DATA** Lamp Data for Delta Small LED T24 Track Head, 3000K Warm Dim

COLOR TEMP. (K)	WATTS	LUMENS	LUMENS PER WATT	INPUT VOLTAGE	CRI	BEAM ANGLE	LAMP LIFE	TM-30 DATA
3000K Warm Dims to 1800K	6W	545	90.8	24VDC	96.4	40° (FL)	50,000 Hours 70% Lumen Maintenance	R9 = 82 Rf: 92.7 Rg: 100

**LAMP DATA** Lamp Data for Delta Small LED T24 Track Head, 3000K Static White

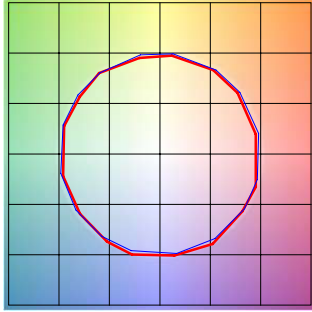
COLOR TEMP. (K)	WATTS	LUMENS	LUMENS PER WATT	INPUT VOLTAGE	CRI	BEAM ANGLE	LAMP LIFE	TM-30 DATA
3000K	6.96W	478	68.7	24VDC	94.9	40° (FL)	50,000 Hours 70% Lumen Maintenance	R9 = 76 Rf: 93.2 Rg: 98.8

PROJECT		FIXTURE TYPE		DATE	
---------	--	--------------	--	------	--

**TM-30-15 DATA:** The data below is for Delta Small. Consistent color temperatures among multiple track heads is possible through a 3 phase binning process in which each order is inspected with a color meter to ensure uniformity.

**3000K** | Rf: 93.2 | Rg: 98.8

COLOR VECTOR GRAPHIC

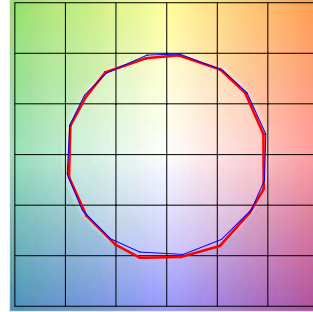


■ Test ■ Reference

HUE BIN	Rf	GRAPHIC SHIFTS %	
		CHROMA	HUE
1	93.3	-2.9%	-0.1%
2	95.1	-2.1%	0.7%
3	94.0	-1.5%	2.1%
4	95.1	-1.8%	0.9%
5	93.9	-2.8%	1.7%
6	97.5	0.1%	0.7%
7	94.8	-2.4%	0.3%
8	97.3	-1.2%	0.8%
9	94.1	-1.7%	3.2%
10	89.2	-1.2%	5.5%
11	89.2	1.3%	7.3%
12	91.7	3.5%	1.6%
13	94.6	1.6%	-2.8%
14	91.3	3.4%	-5.0%
15	91.9	-0.4%	-3.7%
16	88.9	-0.2%	-7.8%

**3000D** | Rf: 92.8 | Rg: 100.2

COLOR VECTOR GRAPHIC



■ Test ■ Reference

HUE BIN	Rf	GRAPHIC SHIFTS %	
		CHROMA	HUE
1	94.1	-2.3%	0.2%
2	95.7	-1.5%	0.9%
3	93.7	-0.6%	2.4%
4	94.8	-1.5%	0.8%
5	92.9	-2.7%	1.6%
6	96.7	1.0%	0.5%
7	93.6	-2.0%	0.7%
8	97.9	-0.8%	0.3%
9	93.5	-1.1%	3.8%
10	88.1	-0.5%	6.3%
11	87.9	2.1%	7.3%
12	90.9	5.3%	1.1%
13	94.1	2.2%	-2.8%
14	90.7	4.3%	-4.8%
15	91.6	0.1%	-3.4%
16	88.0	0.8%	-8.7%

PROJECT	FIXTURE TYPE	DATE
---------	--------------	------