



T24-TUBS-SP-30K-WH



T24-TUBS-SP-30K-BK

DESCRIPTION

The Tubo Small Downlight is an 8 watt, 24VDC LED Track Head with three changeable optic reflectors, 3000K-1800K (Warm Dim) or Standard 3000K, 98 CRI with R9-98 Integral LED chip. The fixture design is of a flat-back tube heat sink that swivels 90° vertically and 360° horizontally. The 24 Low Voltage Track Connector allows you to choose the mounting system from TS24 Surface Mount Track, TR24 Recessed Track, Nova or Pipeline low voltage systems. The small package of Tubo Small Track Head offers to consumers maximum light output with a low wattage.

FINISH & MATERIAL

- Finished in Black or White Powdered Paint
- Cast Aluminum
- Tilt: 90°
- Rotation: 360°

MOUNTING OPTIONS

Mounts to any T24 (24VDC track) including TS24 Surface Track, TR24 Recessed Track, Nova Track (NCTR Surface or NSTR Suspension) or Pipeline Track (P1CTR Surface or P1STR Suspension)

REFLECTORS

Field changeable single optic reflector gives a smooth uniform beam at 20°, 40°, or 60° beam spreads

APPLICATIONS

Suitable for damp or dry locations, interior use only

INTEGRAL LED LAMP

- 24K Standard Dim 8.3 Watts at 523 Lumens, CRI:92, Rf:91, Rg:98
- 27K Standard Dim 8.3 Watts at 427 Lumens, CRI:96, Rf:93, Rg:99
- 30K Standard Dim 8.6 Watts at 494 Lumens, CRI:92, Rf:90, Rg:99
- 30K Warm Dim (30D) 6.5 Watts at 428 Lumens, Color Temperature dims from 3000K to 1800K CRI:96, Rf:93, Rg:100
- 35K Standard Dim 8.8 Watts at 485 Lumens, CRI:98, Rf:93, Rg:99

POWER SUPPLY

- Remote Power Supply: 120V input/24VDC output (Track and Power Supply, sold separately) PSB-96W-010-24VDC Power Supplies, sold separately
- Frequency: 120HZ

DIMMING

- Dimmable to 1% Percent, Flicker less than 2%
- 0-10 Volt dimming only. Compatible with Lutron Diva, Skylark and Legrand 0-10 Volt dimmers
- Dimmers sold separately

ACCESSORIES

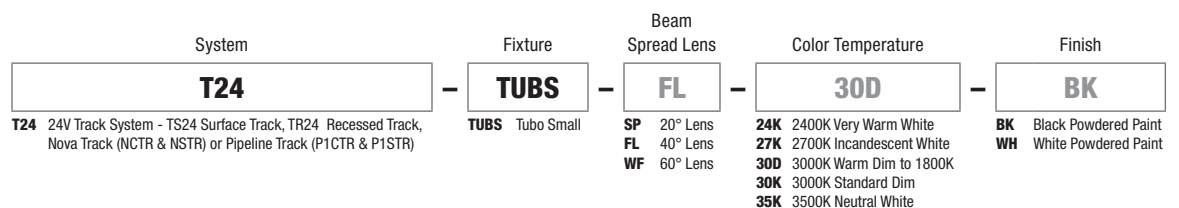
| TUBO SMALL | ORDERING CODE |
|-----------------|---------------|
| 20° BEAM SPREAD | REF-1.375-SP |
| 40° BEAM SPREAD | REF-1.375-FL |
| 60° BEAM SPREAD | REF-1.375-WF |

COMPLIANCE LABEL

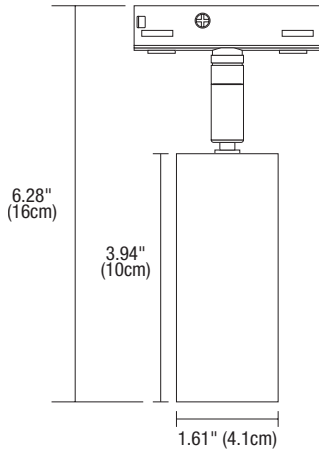
ETL (Conforms to UL1598 and CSA 22.2 #250.0). Title 24

WARRANTY

5 year warranty. See PureEdgeLighting.com



| | | |
|---------|--------------|------|
| PROJECT | FIXTURE TYPE | DATE |
|---------|--------------|------|



LAMP DATA Lamp Data for Tubo Small LED T24 Track Head, 2700K

| COLOR TEMP. (K) | WATTS | LUMENS | LUMENS PER WATT | INPUT VOLTAGE | CRI | BEAM ANGLE | LAMP LIFE | TM-30 DATA |
|-----------------|-------|--------|-----------------|---------------|------|------------|---------------------------------------|---------------------------------|
| 2400K | 8.33 | 523 | 63 | 24VDC | 92.7 | 40° (FL) | 50,000 Hours 70% Lumen Maintenance | R9 = 61 Rf: 91.3 Rg: 98.9 |

LAMP DATA Lamp Data for Tubo Small LED T24 Track Head, 2700K

| COLOR TEMP. (K) | WATTS | LUMENS | LUMENS PER WATT | INPUT VOLTAGE | CRI | BEAM ANGLE | LAMP LIFE | TM-30 DATA |
|-----------------|-------|--------|-----------------|---------------|------|------------|---------------------------------------|---------------------------------|
| 2700K | 8.34 | 427 | 51.2 | 24VDC | 96.5 | 40° (FL) | 50,000 Hours 70% Lumen Maintenance | R9 = 95 Rf: 93.2 Rg: 99.3 |

LAMP DATA Lamp Data for Tubo Small LED T24 Track Head, 3000K, Static White

| COLOR TEMP. (K) | WATTS | LUMENS | LUMENS PER WATT | INPUT VOLTAGE | CRI | BEAM ANGLE | LAMP LIFE | TM-30 DATA |
|-----------------|-------|--------|-----------------|---------------|------|------------|---------------------------------------|---------------------------------|
| 3000K | 8.6 | 494 | 55.5 | 24VDC | 92.8 | 40° (FL) | 50,000 Hours 70% Lumen Maintenance | R9 = 65 Rf: 90.7 Rg: 99.9 |

LAMP DATA Lamp Data for Tubo Small LED T24 Track Head, 3000D Warm Dim

| COLOR TEMP. (K) | WATTS | LUMENS | LUMENS PER WATT | INPUT VOLTAGE | CRI | BEAM ANGLE | LAMP LIFE | TM-30 DATA |
|-----------------|-------|--------|-----------------|---------------|------|------------|---------------------------------------|----------------------------------|
| 3000K | 6.52 | 428 | 65.7 | 24VDC | 96.4 | 40° (FL) | 50,000 Hours 70% Lumen Maintenance | R9 = 83 Rf: 93.1 Rg: 100.5 |

LAMP DATA Lamp Data for Tubo Small LED T24 Track Head, 3500K

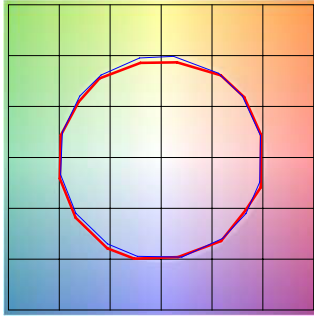
| COLOR TEMP. (K) | WATTS | LUMENS | LUMENS PER WATT | INPUT VOLTAGE | CRI | BEAM ANGLE | LAMP LIFE | TM-30 DATA |
|-----------------|-------|--------|-----------------|---------------|-----|------------|---------------------------------------|---------------------------------|
| 3500K | 8.79 | 485 | 55.2 | 24VDC | 98 | 40° (FL) | 50,000 Hours 70% Lumen Maintenance | R9 = 99 Rf: 93.3 Rg: 99.5 |

| | | | | | |
|---------|--|--------------|--|------|--|
| PROJECT | | FIXTURE TYPE | | DATE | |
|---------|--|--------------|--|------|--|

TM-30-15 DATA: The data below is for Tubo. Consistent color temperatures among multiple track heads is possible through a 3 phase binning process in which each order is inspected with a color meter to ensure uniformity.

2700K | Rf: 93.2 | Rg: 99.3

COLOR VECTOR GRAPHIC

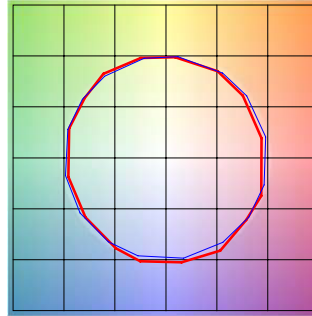


■ Test ■ Reference

| HUE BIN | Rf | GRAPHIC SHIFTS % | |
|---------|------|------------------|-------|
| | | CHROMA | HUE |
| 1 | 95.6 | 0.6% | 0.8% |
| 2 | 95.1 | 1.0% | -2.0% |
| 3 | 93.4 | -0.4% | -3.0% |
| 4 | 89.7 | -5.0% | -4.3% |
| 5 | 93.3 | -5.1% | 0.1% |
| 6 | 94.2 | -2.0% | 3.1% |
| 7 | 90.6 | -2.3% | 5.1% |
| 8 | 93.7 | 1.0% | 3.5% |
| 9 | 92.5 | 1.6% | 3.6% |
| 10 | 93.1 | 2.6% | 3.3% |
| 11 | 93.9 | 3.6% | 2.1% |
| 12 | 92.9 | 2.8% | -2.6% |
| 13 | 94.3 | -0.7% | -3.9% |
| 14 | 94.6 | 1.2% | -2.5% |
| 15 | 92.7 | -2.1% | 2.2% |
| 16 | 92.3 | 1.8% | -4.8% |

3000K | Rf: 90.7 | Rg: 99.9

COLOR VECTOR GRAPHIC

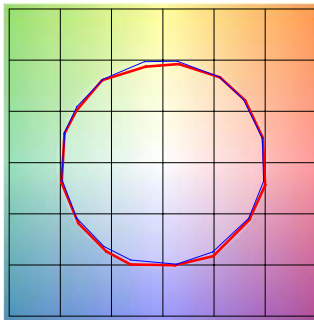


■ Test ■ Reference

| HUE BIN | Rf | GRAPHIC SHIFTS % | |
|---------|------|------------------|--------|
| | | CHROMA | HUE |
| 1 | 90.9 | -4.2% | -0.5% |
| 2 | 92.1 | -3.2% | 2.2% |
| 3 | 88.6 | -1.2% | 5.0% |
| 4 | 92.2 | -1.1% | 2.7% |
| 5 | 93.7 | 1.0% | 3.1% |
| 6 | 94.8 | 2.6% | -0.1% |
| 7 | 93.1 | -1.2% | -2.2% |
| 8 | 97.0 | -1.0% | -1.2% |
| 9 | 93.7 | -2.5% | 2.0% |
| 10 | 87.9 | -2.1% | 6.6% |
| 11 | 85.4 | 0.9% | 9.7% |
| 12 | 88.1 | 4.9% | 3.3% |
| 13 | 92.6 | 3.5% | -2.7% |
| 14 | 87.9 | 5.4% | -6.7% |
| 15 | 92.6 | -0.5% | -3.8% |
| 16 | 84.6 | -0.8% | -11.0% |

3500K | Rf: 93.9 | Rg: 100.9

COLOR VECTOR GRAPHIC

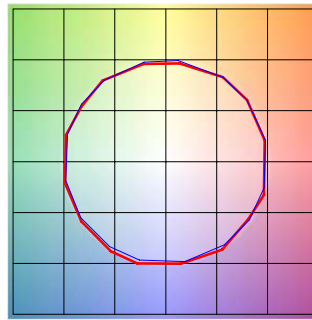


■ Test ■ Reference

| HUE BIN | Rf | GRAPHIC SHIFTS % | |
|---------|------|------------------|-------|
| | | CHROMA | HUE |
| 1 | 95.7 | 0.6% | 0.3% |
| 2 | 96.7 | 0.8% | -1.2% |
| 3 | 96.0 | 0.2% | -1.0% |
| 4 | 94.3 | -2.5% | -1.9% |
| 5 | 93.2 | -4.8% | -0.2% |
| 6 | 97.1 | -0.3% | 1.4% |
| 7 | 93.8 | -1.7% | 3.2% |
| 8 | 97.3 | 0.2% | 1.3% |
| 9 | 93.3 | 0.8% | 4.2% |
| 10 | 91.4 | 1.4% | 5.2% |
| 11 | 90.6 | 2.8% | 4.5% |
| 12 | 92.6 | 4.4% | 3.0% |
| 13 | 96.3 | 0.7% | -1.9% |
| 14 | 93.9 | 3.6% | -1.8% |
| 15 | 92.4 | 1.2% | -0.9% |
| 16 | 91.5 | 2.3% | -3.3% |

3000D | Rf: 94.8 | Rg: 100.9

COLOR VECTOR GRAPHIC



■ Test ■ Reference

| HUE BIN | Rf | GRAPHIC SHIFTS % | |
|---------|------|------------------|-------|
| | | CHROMA | HUE |
| 1 | 96.4 | -0.7% | 0.4% |
| 2 | 97.7 | 0.1% | -0.3% |
| 3 | 96.3 | 0.2% | -0.0% |
| 4 | 94.6 | -2.6% | -1.9% |
| 5 | 96.2 | -1.8% | 0.8% |
| 6 | 96.9 | 0.7% | 1.5% |
| 7 | 93.8 | -1.1% | 2.4% |
| 8 | 97.0 | 1.3% | 1.0% |
| 9 | 95.3 | 1.0% | 2.4% |
| 10 | 94.0 | 1.6% | 3.2% |
| 11 | 93.3 | 3.0% | 3.5% |
| 12 | 92.2 | 3.8% | -1.3% |
| 13 | 90.6 | 2.5% | -4.2% |
| 14 | 86.7 | 3.3% | -4.5% |
| 15 | 90.9 | -2.4% | -0.2% |
| 16 | 84.1 | -3.5% | -6.9% |

| | | |
|---------|--------------|------|
| PROJECT | FIXTURE TYPE | DATE |
|---------|--------------|------|