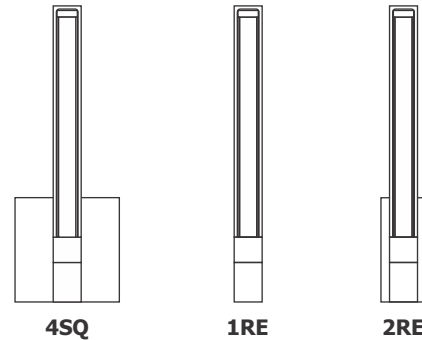


Installation Instructions for Tie Stix Wall 1-Light

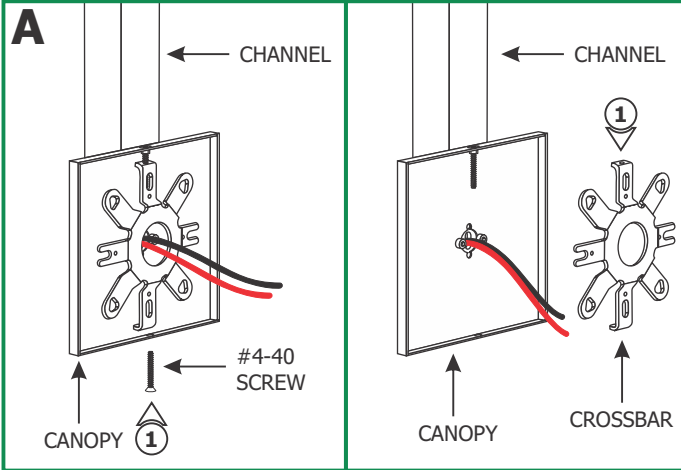
IMPORTANT INFORMATION

- This instruction shows a typical installation.
- This product is wall mount only.
- This product is dimmable with a low-voltage electronic dimmer.
- The 4SQ version mounts to a standard junction box with plaster ring or octagon box.
- The 1RE version mounts to the provided Slim Profile Junction Box.
- The 2RE version mounts to a single gang box.

SAVE THESE INSTRUCTIONS!

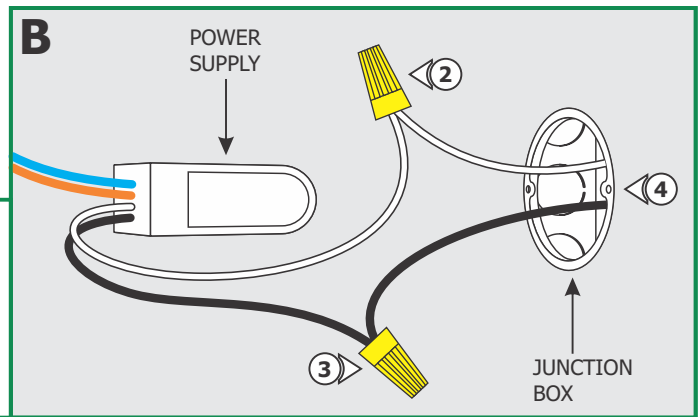


Section One: 4SQ Version

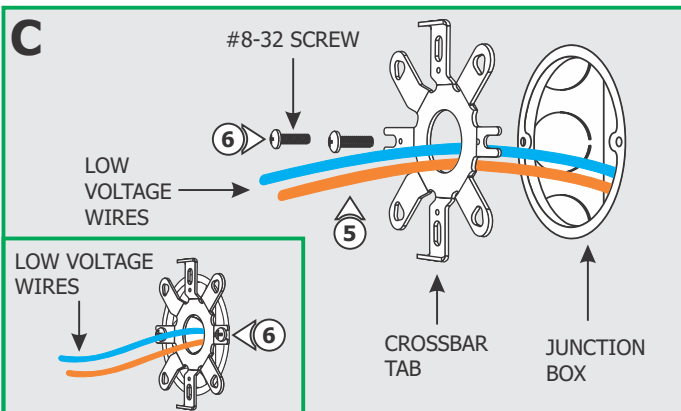


NOTE: Before beginning any electrical work, ensure that the power to the junction box is off.

- 1:** Remove **ONLY** the bottom #4-40 screw from the canopy using a 1/16" Allen wrench and slide the crossbar off of the canopy.

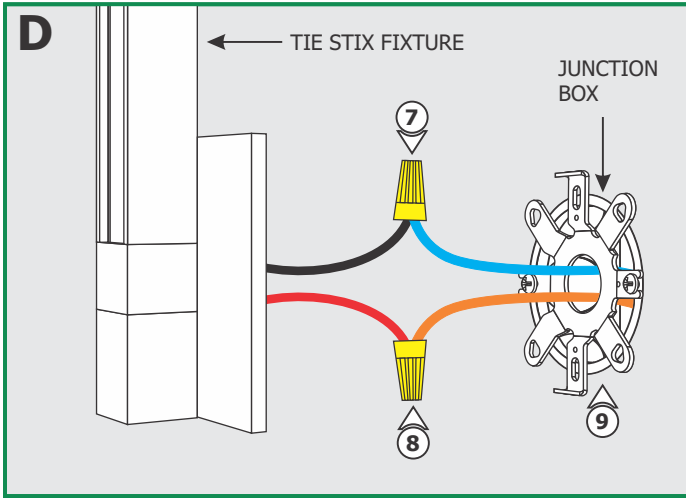


- 2:** Connect the neutral wire from the 120VAC circuit to the white wire of the power supply using a wire nut.
- 3:** Connect the hot wire from the 120VAC circuit to the black wire of the power supply using a wire nut.
- 4:** Place the power supply and wires inside the junction box.



- 5:** Feed the low voltage wires from the power supply through the crossbar center hole.

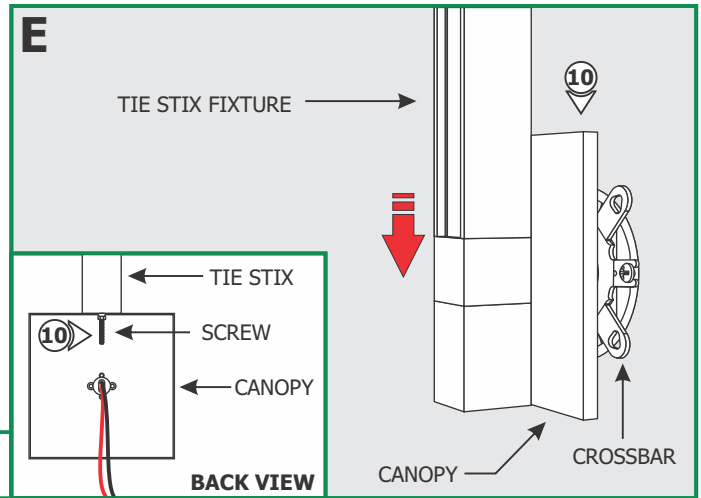
- 6:** Align the crossbar tabs vertically and mount the cross bar to the junction box holes with the two #8-32 screws provided.



7: Connect the low voltage -24VDC blue wire from the power supply to the -24VDC black wire from the fixture using a wire nut.

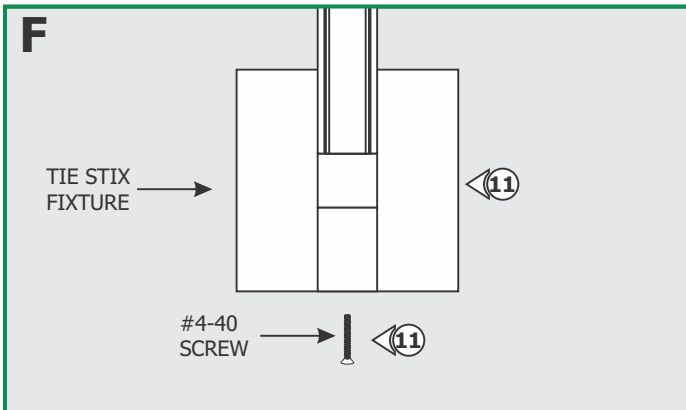
8: Connect the low voltage +24VDC orange wire from the power supply to the +24VDC red wire from the fixture using a wire nut.

9: Place all the wires and wire nut connections inside the junction box.

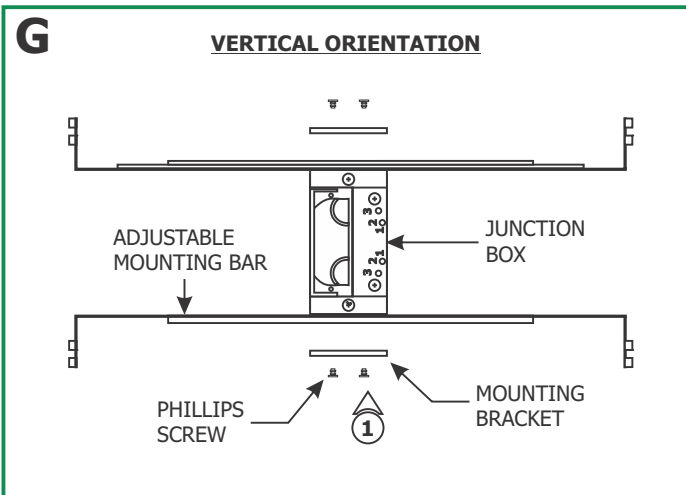


10: Place the fixture against the crossbar and slide the canopy screw down into the top hole of the crossbar.

11: Secure the fixture to the crossbar with the provided #4-40 screw using a 1/16" Allen wrench.

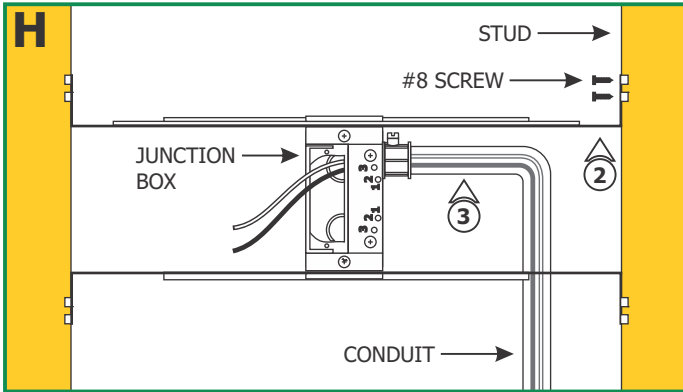


Section Two: 1RE Version



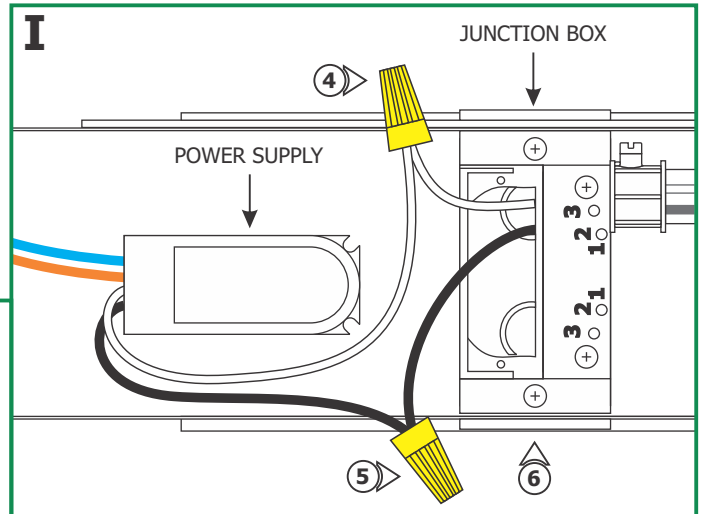
NOTE: Before beginning any electrical work, ensure that the power to the electrical box is off.

1: Mount each adjustable mounting bar to one side of the junction box and secure them with the provided mounting brackets and two Phillips screws.

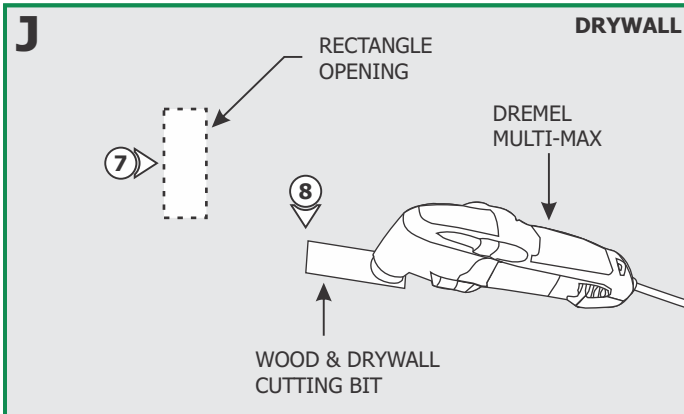


NOTE: The adjustable mounting bars mount to studs that are spaced 13" to 24" apart.

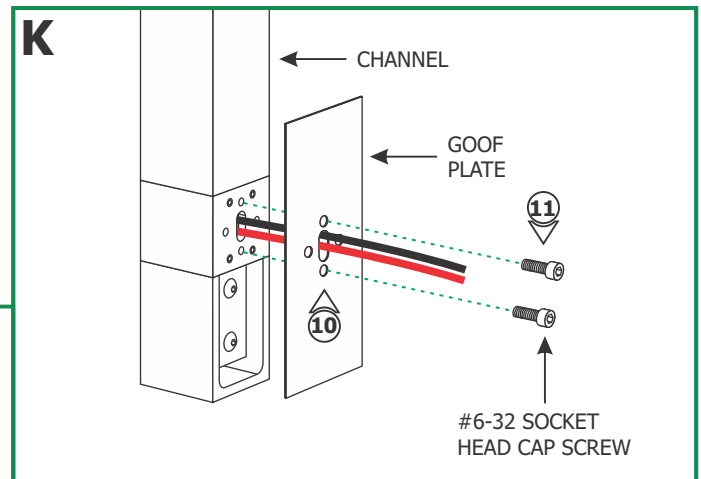
- 2:** Place the lips on the adjustable mounting bars against the studs. Secure the adjustable bars to the studs with the eight #8 screws.
- 3:** Remove a knockout on the junction box to install the conduit (if required by local electrical code) and run the 120V power wires to the junction box.



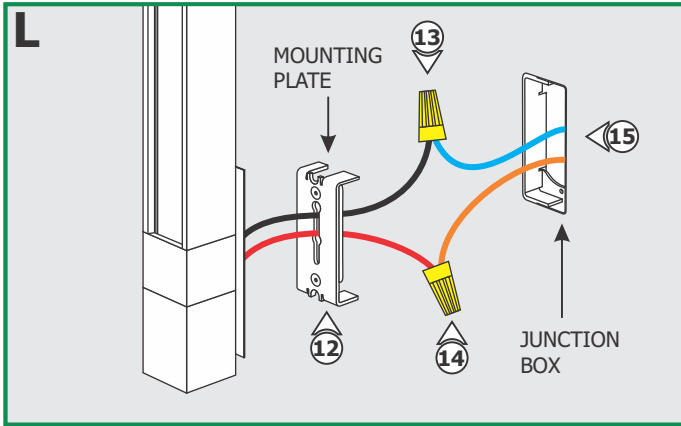
- 4:** Connect the neutral wire from the 120VAC circuit to the white wire of the power supply using a wire nut.
- 5:** Connect the hot wire from the 120VAC circuit to the black wire of the power supply using a wire nut.
- 6:** Place the power supply and wires inside the junction box.



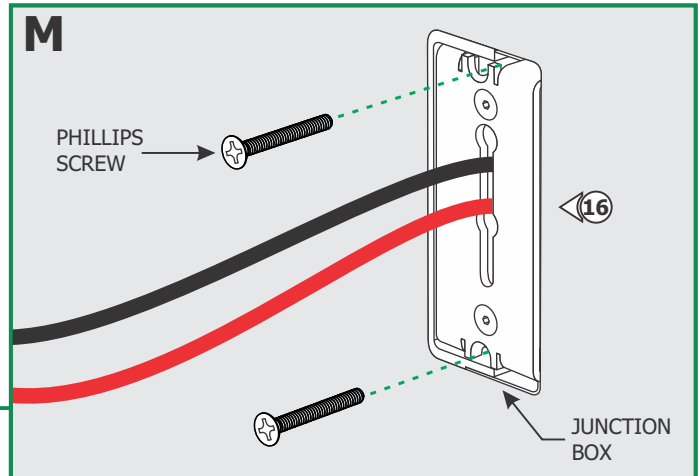
- 7:** Mark the rectangular junction box opening shape on the drywall where the junction box will be located.
- 8:** Cut out the marked rectangle opening, using a "Dremel Multi-Max" with the "wood & drywall" cutting bit.
- 9:** Install the drywall and plaster around the junction box. Sand and then paint.



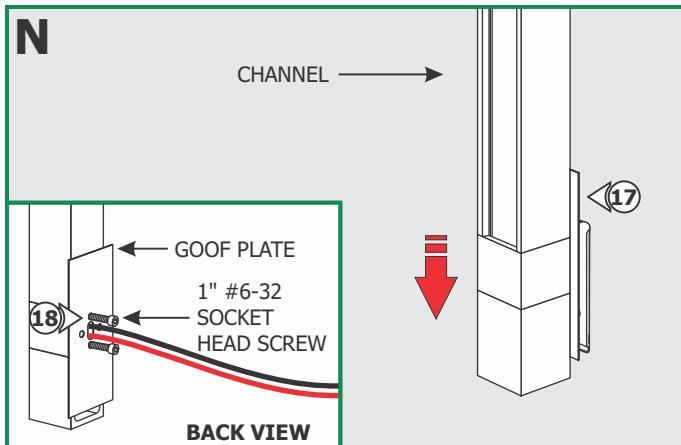
- 10:** Feed the wires of the channel through the goof plate.
- 11:** Place the provided goof plate (paint to match prior) onto the Tie Stix channel. Secure it with the two 1/2" #6-32 socket head cap screws using a 7/64" Allen wrench (provided).



- 12:** Feed the wires from the channel through the mounting plate.
- 13:** Connect the low voltage -24VDC blue wire from the power supply to the -24VDC black wire from the channel using a wire nut.
- 14:** Connect the low voltage +24VDC orange wire from the power supply to the +24VDC red wire from the channel using a wire nut.
- 15:** Place all the wires and wire connections inside the junction box.

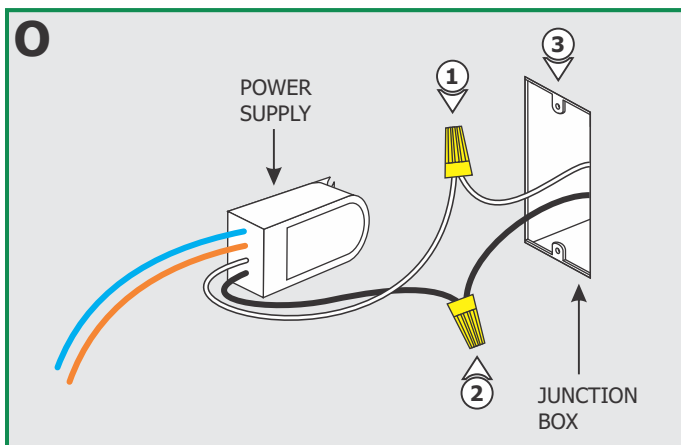


- 16:** Place the mounting plate into the junction box. Secure it with the two Phillips screws.



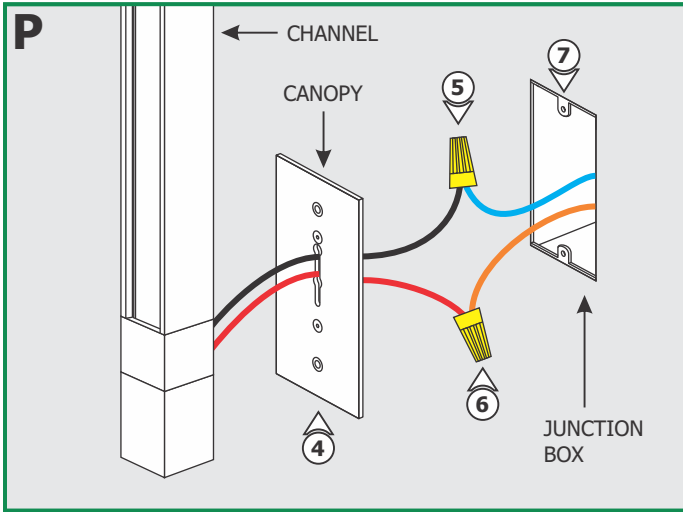
- 17:** Insert the socket head cap screws into the opening of the mounting plate, then slide down to lock in place.
- 18:** If the drywall is thicker than 3/4", use the two 1" #6-32 socket head cap screws (provided) for the goof plate with a 7/64" Allen wrench.

Section Three: 2RE Version

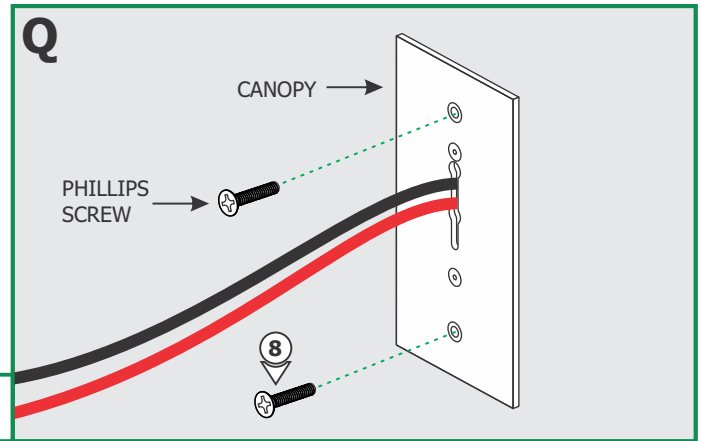


NOTE: Ensure single gang box is oriented vertically.

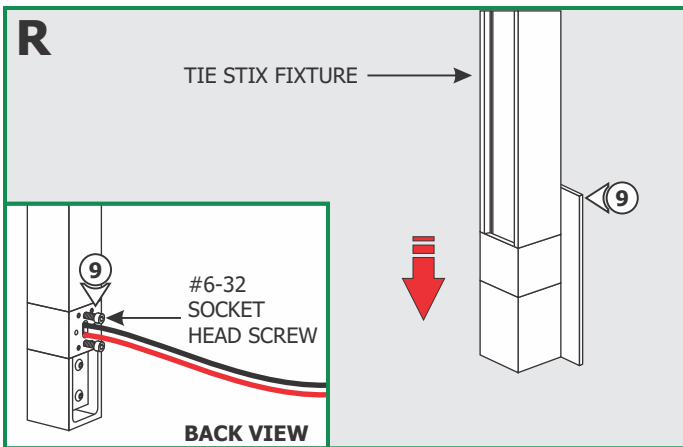
- 1:** Connect the neutral wire from the 120VAC circuit to the white wire of the power supply using a wire nut.
- 2:** Connect the hot wire from the 120VAC circuit to the black wire of the power supply using a wire nut.
- 3:** Place the power supply and wires inside the junction box.



- 4:** Feed the wires from the channel through the canopy.
- 5:** Connect the low voltage -24VDC blue wire from the power supply to the -24VDC black wire from the channel using a wire nut.
- 6:** Connect the low voltage +24VDC orange wire from the power supply to the +24VDC red wire from the channel using a wire nut.
- 7:** Place all the wires and wire connections inside the junction box.



- 8:** Place the canopy onto the junction box. Secure it to the junction box with the two Phillips screws provided.



- 9:** Insert the socket head cap screws into the opening of the canopy, then slide down to lock in place.