



1718 W. Fullerton Chicago, IL 60614
 Ph: 773.770.1195 • Fax: 773.935.5613
 www.PureEdgeLighting.com • info@PureEdgeLighting.com
 © 2016 PureEdge Lighting. All Rights Reserved.

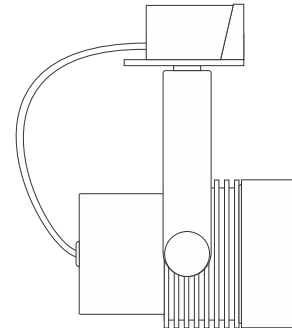
Installation Instructions for Exterior Micro Track Head

TX12-MICRO-__

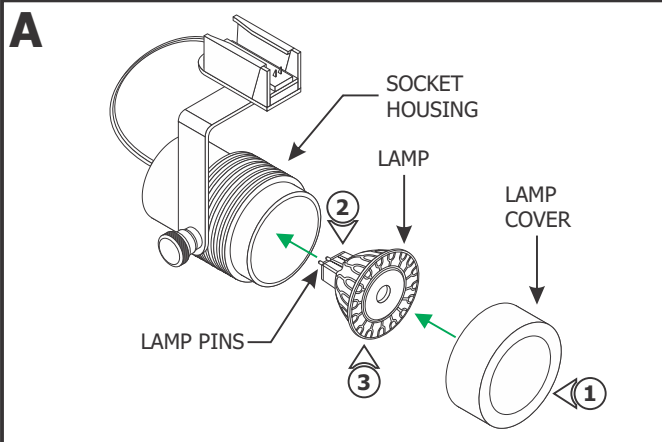
IMPORTANT INFORMATION

- This product is suitable for outdoor locations.
- Ensure that power to the electrical box is **OFF** before beginning installation.
- The fixtures used with the Edge Lighting systems must be identified for use with the corresponding Edge Lighting systems.
- For use with 12VAC low voltage outdoor lighting systems only.

SAVE THESE INSTRUCTIONS!



Install the Track Head



- 1:** Rotate the lamp cover counter-clockwise and remove it from the socket housing.

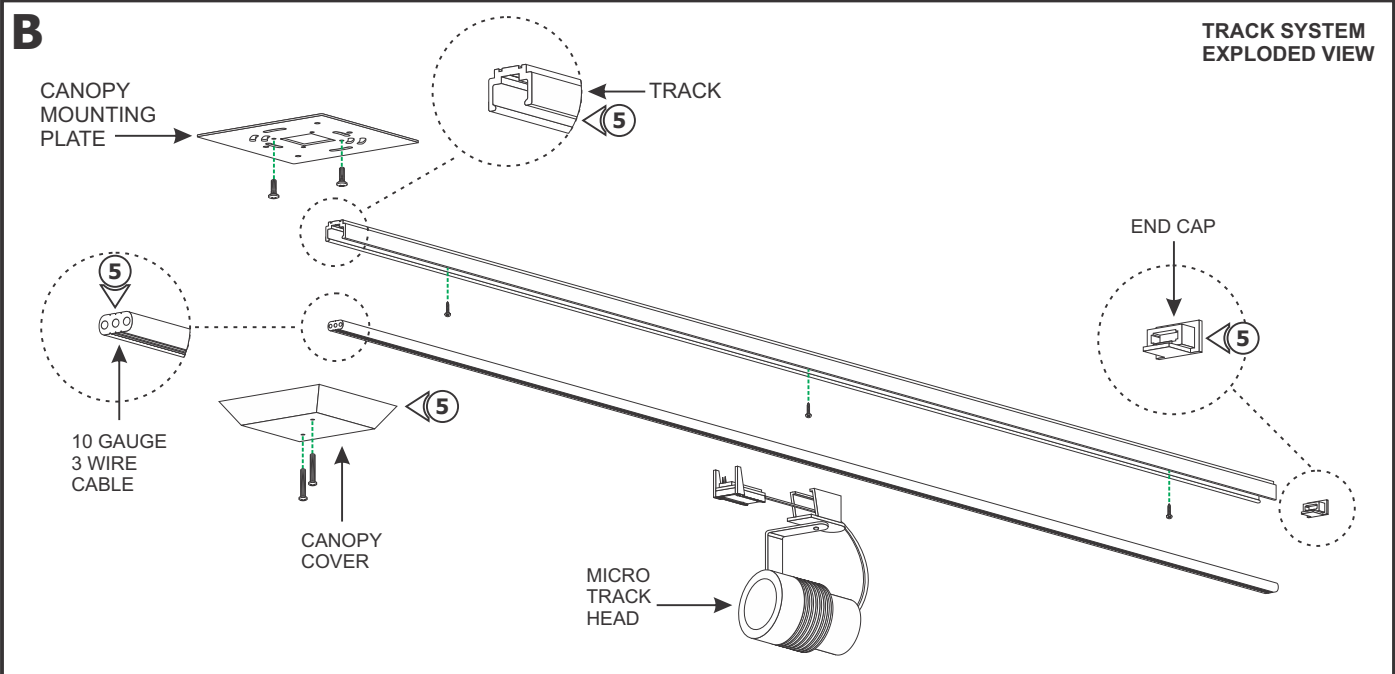
Use **MAX 50** Watt, Type MR16 Front Glass Halogen or **MAX 8** Watt, Type MR16 LED lamp.



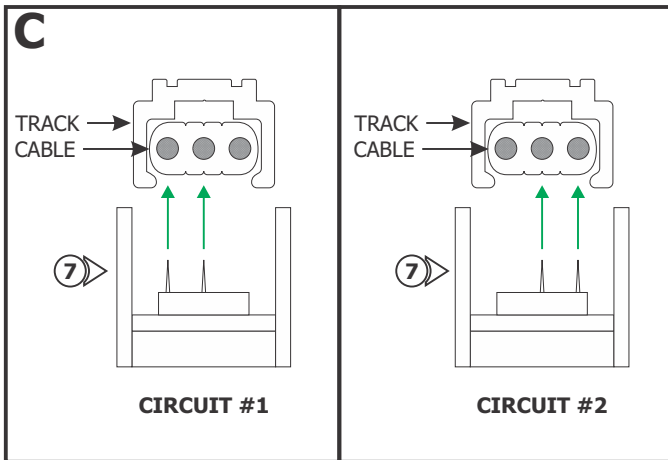
- 2:** Align the two pins of the lamp with the two holes of the socket housing.

- 3:** Push the lamp pins completely into the socket holes.

- 4:** Seat and rotate the lamp cover clockwise to secure in place.

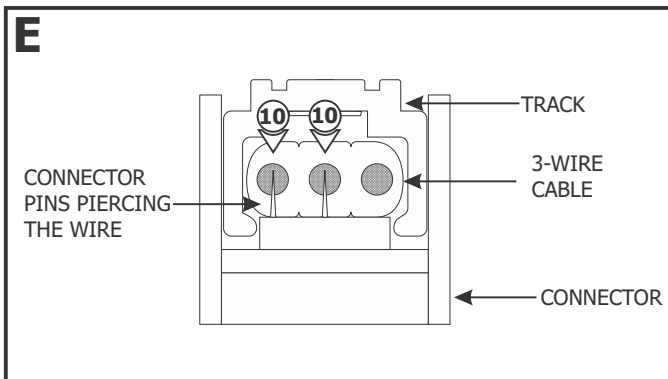
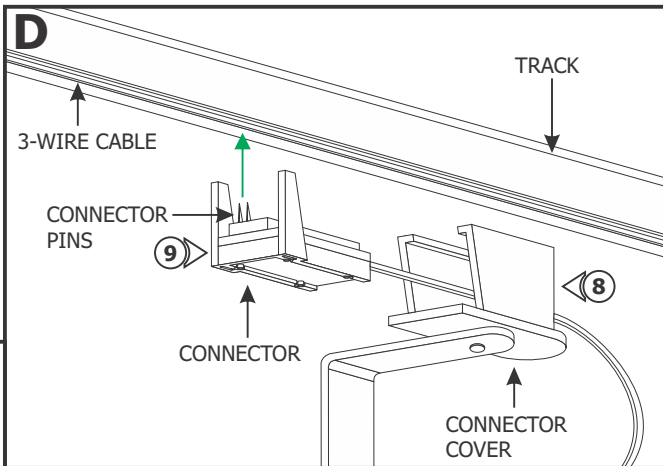


- 5:** Refer to the instructions provided with the Exterior Track to install the track and cable.



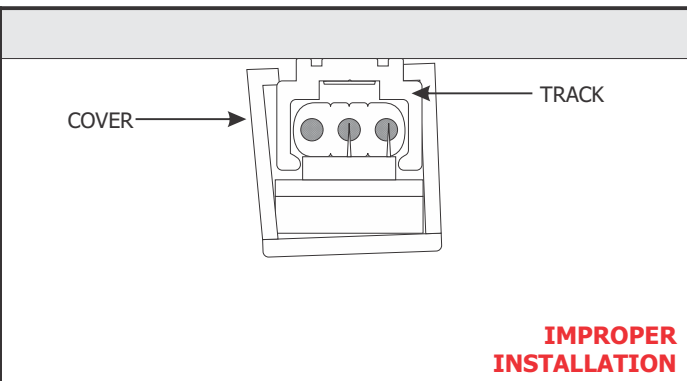
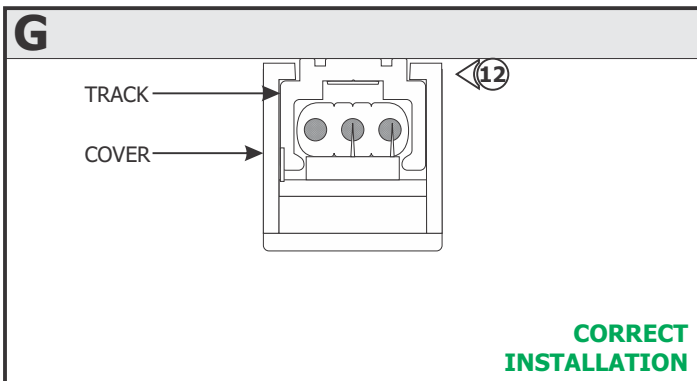
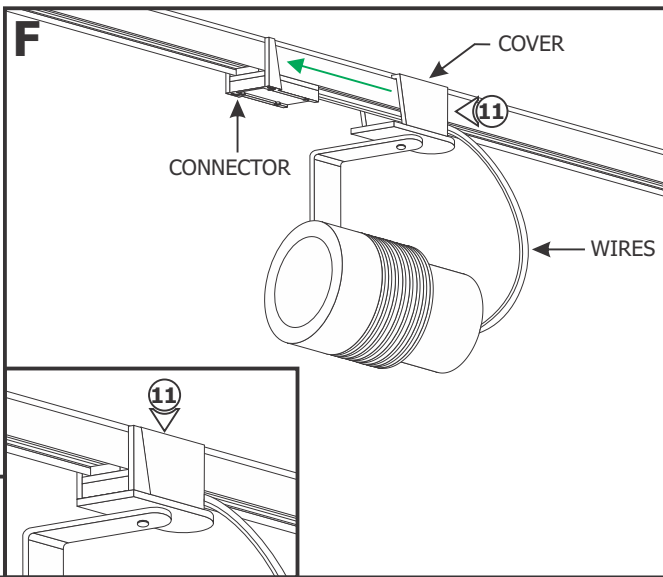
- 6:** Determine the desired location of the fixture on the track.
- 7:** Choose the circuit that the fixture is going to be mounted. Make sure the connector pins line up with the chosen circuit.

- 8:** Slide the connector off of the cover.
- 9:** Press and snap the connector into the cable on the chosen circuit.



- 10:** Ensure the pins of the connector pierce the wires completely.

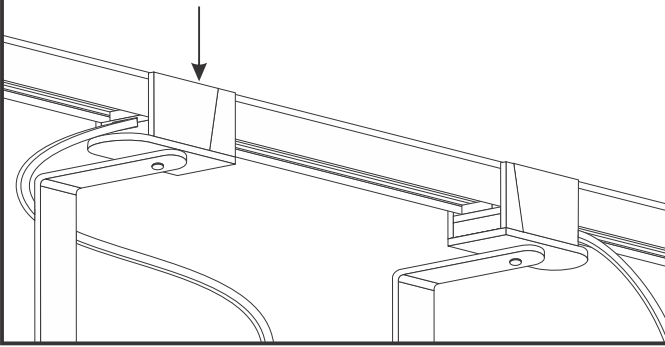
- 11:** Snap the connector cover over the fixture wires and onto the track. Slide the cover completely onto the connector to secure the fixture in place.



- 12:** Ensure the connector cover lips snap over the back of the track.

H

ALTERNATE DIRECTION
OF CONNECTOR FOR
2ND CIRCUIT



NOTE: When attaching fixtures to 2-circuit systems, alternate the direction of the connectors on the 3-wire cable for every other fixture to balance the electrical load.

NOTE: **DO NOT** load each circuit over the maximum system rating.

13: Adjust the fixture to the desired position by loosening the knob and rotating the head and the arm.

14: Turn the power on.

I