



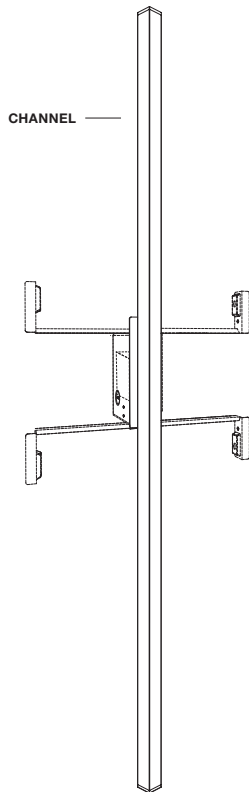
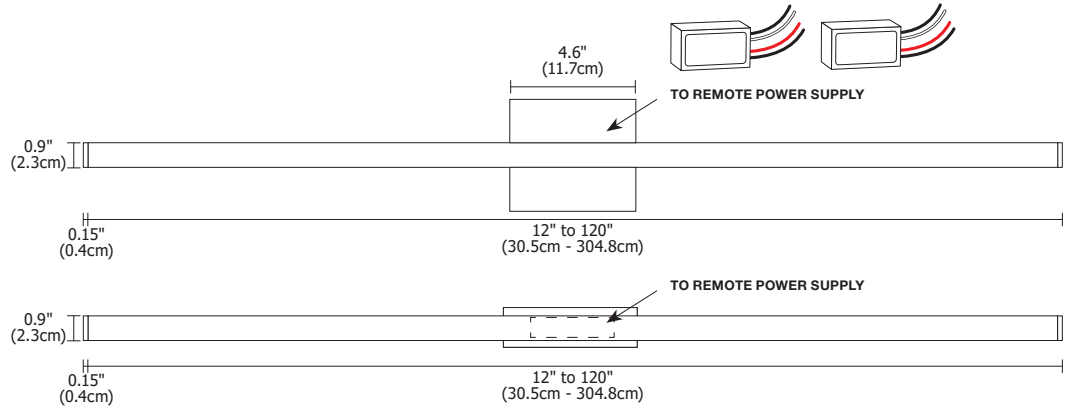
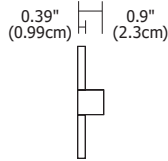
TWIGGY D1

DIRECT 1" LENS VANITY - TUNABLE WHITE 24VDC



DESIGNED BY GREGORY KAY | ASSEMBLED IN AMERICA

REV.06.04.19



DESCRIPTION

Twiggy D1 Tunable White features a direct 1" milky White Diffuser Lens that provides uniform, Tunable White light. At 5 watts per foot, the 24VDC Vanity contains commercial-grade, 90+ CRI White LEDs ranging from 2000K-4000K. Twiggy is available in various 12" increments up to 120". May be ordered in 3", 5", 8", or 10" increments. It may be ordered with a 4" Square Canopy or Slim-Profile Junction Box. The system is powered with compatible 24VDC remote located power supplies and can be controlled with a variety of dimmers or controllers (sold separately). Fixture includes a 5 year warranty.

FINISH

Satin Aluminum, Satin Nickel, Chrome, Antique Bronze, Satin Black, and White

APPLICATION (INDOOR ONLY)

Bathroom Vanity, Architectural Lighting, Task Lighting, General Lighting, Cove, Retail, and Closets

LAMP

The average LED Life is 50,000 hours.

LED	CRI	POWER PER FOOT (WATTS)	TOTAL OUTPUT, LUMENS PER WATT	TOTAL OUTPUT, LUMENS PER FOOT
TUNABLE WHITE* 2000K+4000K (3000K)	90+	4.7W	41	190
2000K	90+	2.6W	32	84
4000K	90+	2.6W	47	124

*When both the 2000K & 4000K Soft Strips are on at full power, light output equals 3000K

REMOTE POWER SUPPLIES*, DIMMERS & CONTROLS (SOLD SEPARATELY)

- Electronic Low Voltage Dimming (ELV)
- 0-10 Volt Dimming (0-10V)
- Dynamic Color Changing (DMX)
- Lutron Hi-lume®

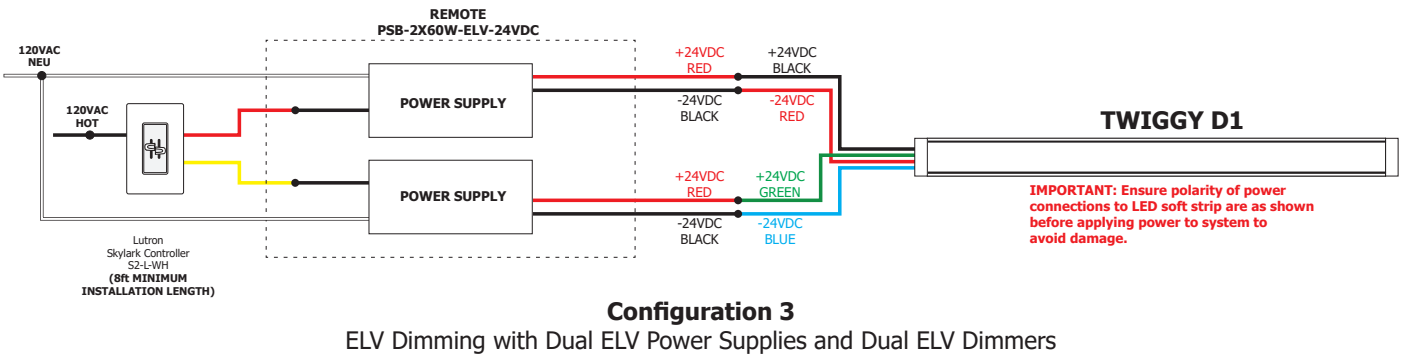
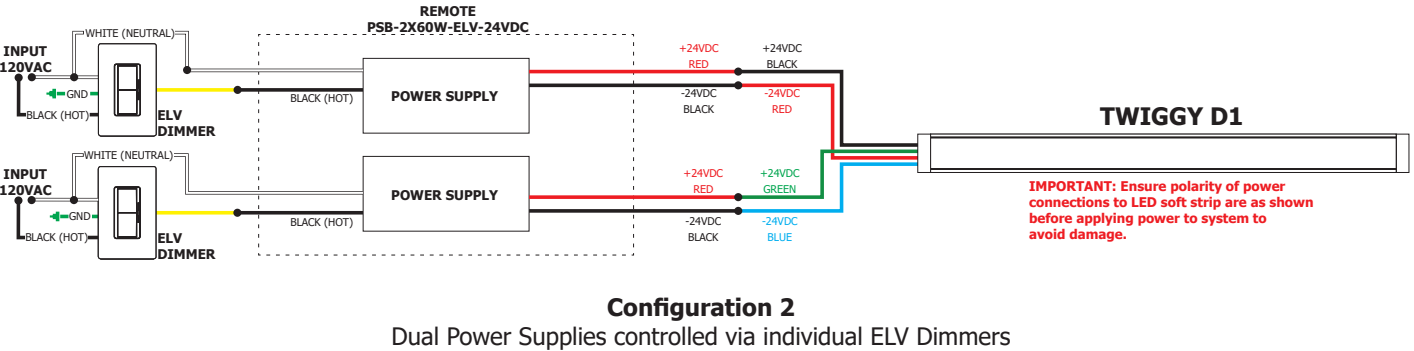
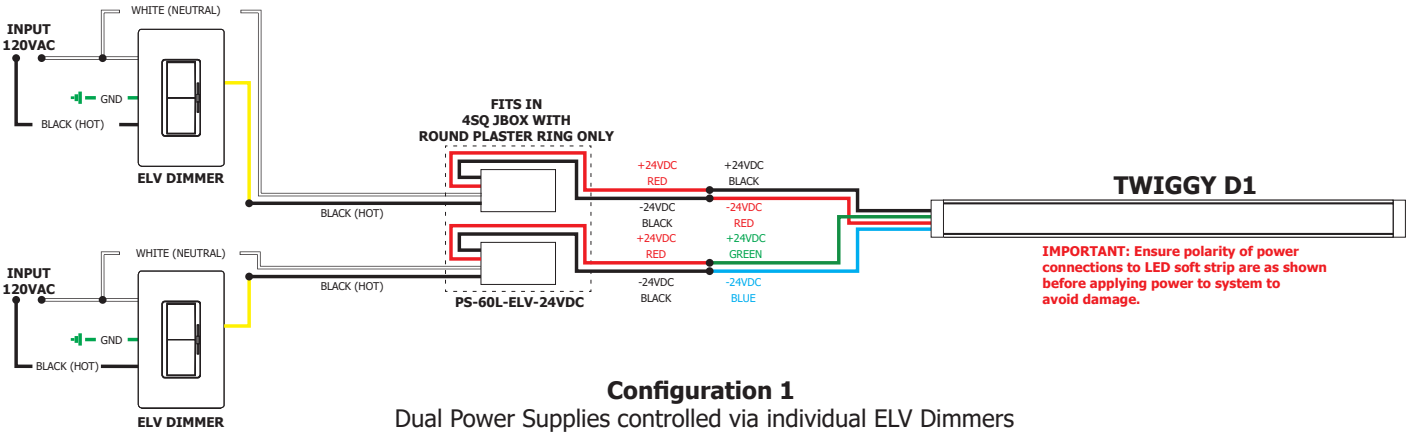
*In-Wall Mounting Kits available for select power supplies

Product	Len	Canopy	Length in Inches	Color Temperature	Finish
TW2	D1	1RE	12IN	2K4K	SA
TW2 Twiggy Vanity 24VDC	D1 Direct 1"	1RE 1" Rectangle with Junction Box (with Remote Power Supply) 4SQ 4" Square	12-120 Order in 12" increments up to 120". May be ordered in 3", 5", 8", or 10" increments.* Chrome max 84".	2K4K 2000K-4000K Tunable White	SA Satin Aluminum SN Satin Nickel CH Chrome (Max 84") BZ Antique Bronze BK Satin Black WH White

*See p. 5 for actual lengths.

PROJECT	FIXTURE TYPE	DATE
---------	--------------	------

- APPLICATION** ELV dimming with Dual ELV Power Supplies and Individual ELV dimmers for Twiggy D1 Vanity, Tunable White
- POWER SUPPLY** Remote, Class 2, 24VDC output: 120VAC input | Configuration 1: PS-60L-ELV-24VDC (only compatible with 4SQ Canopy)
Configuration 2: PSB-2X60W-ELV-24VDC | Configuration 3: PSB-2X60W-ELV-24VDC with Lutron Skylark Controller
- DIMMING** Dimmable with Individual ELV dimmers using Power Supplies above, Legrand, Adorne ADTP703TU; Lutron: Diva DVELV-300P, Skylark SELV-300P, Maestro MAELV-600, and Radio Ra 2



IMPORTANT: Ensure polarity of power connections to LED soft strip are as shown before applying power to system to avoid damage.

IMPORTANT: Ensure polarity of power connections to LED soft strip are as shown before applying power to system to avoid damage.

IMPORTANT: Ensure polarity of power connections to LED soft strip are as shown before applying power to system to avoid damage.

PROJECT	FIXTURE TYPE	DATE
---------	--------------	------



TWIGGY D1

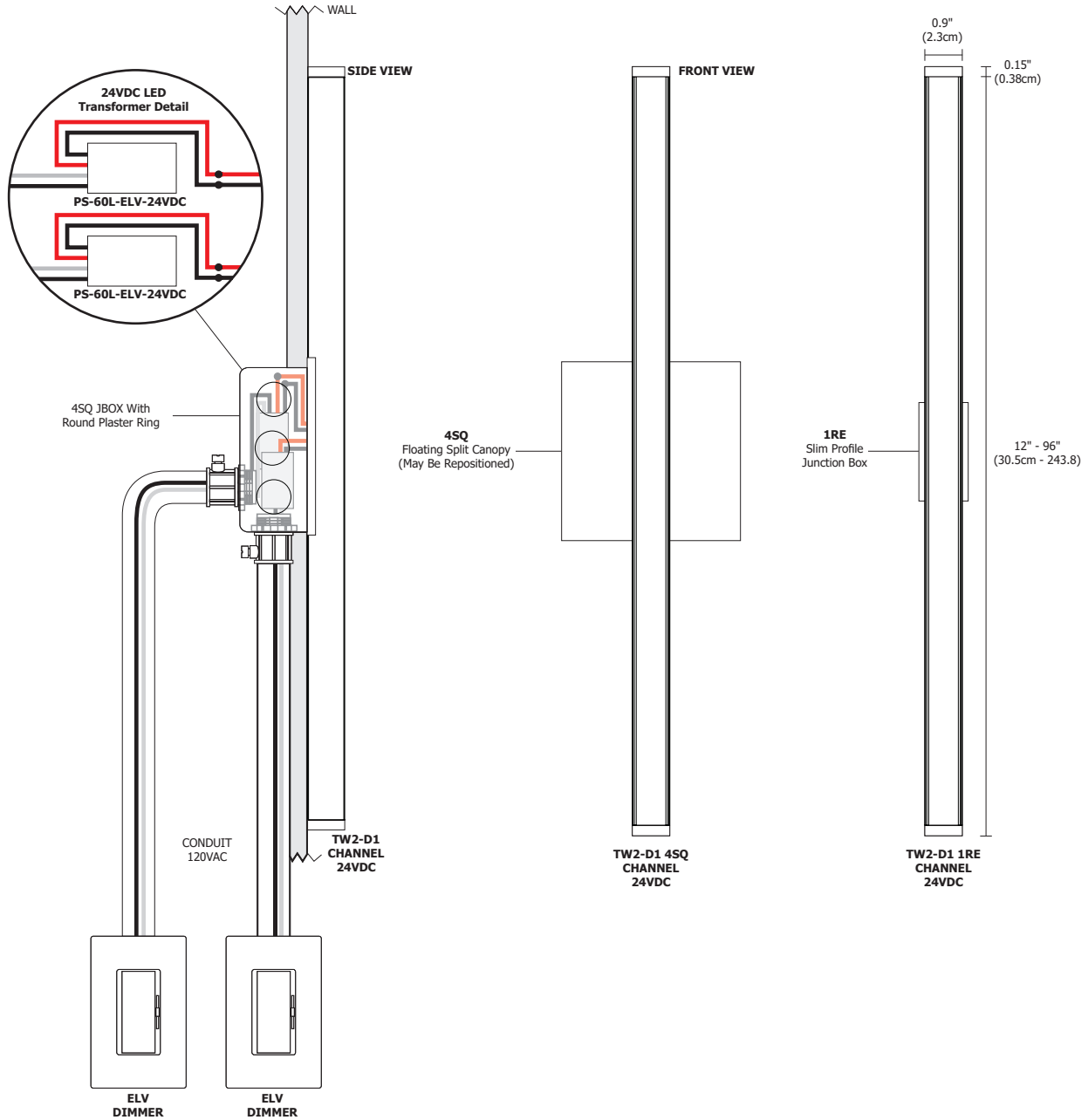
DIRECT 1" LENS VANITY - TUNABLE WHITE 24VDC



DESIGNED BY GREGORY KAY | ASSEMBLED IN AMERICA

REV.06.04.19

- APPLICATION** Electronic Low Voltage dimming for Twiggy D1, Tunable White
- POWER SUPPLY** 120V input, 24VDC Class 2 output; Electronic Low Voltage LED Power Supply (included) that fits inside Standard Junction Box
- DIMMING** Dimmable with Electronic Low Voltage Dimmer: Legrand, Adorne ADTP703TU; Lutron: Diva DVELV-300P, Skylark SELV-300P, Maestro MAELV-600, and Radio Ra 2 dimmers recommended



PROJECT		FIXTURE TYPE		DATE	
---------	--	--------------	--	------	--



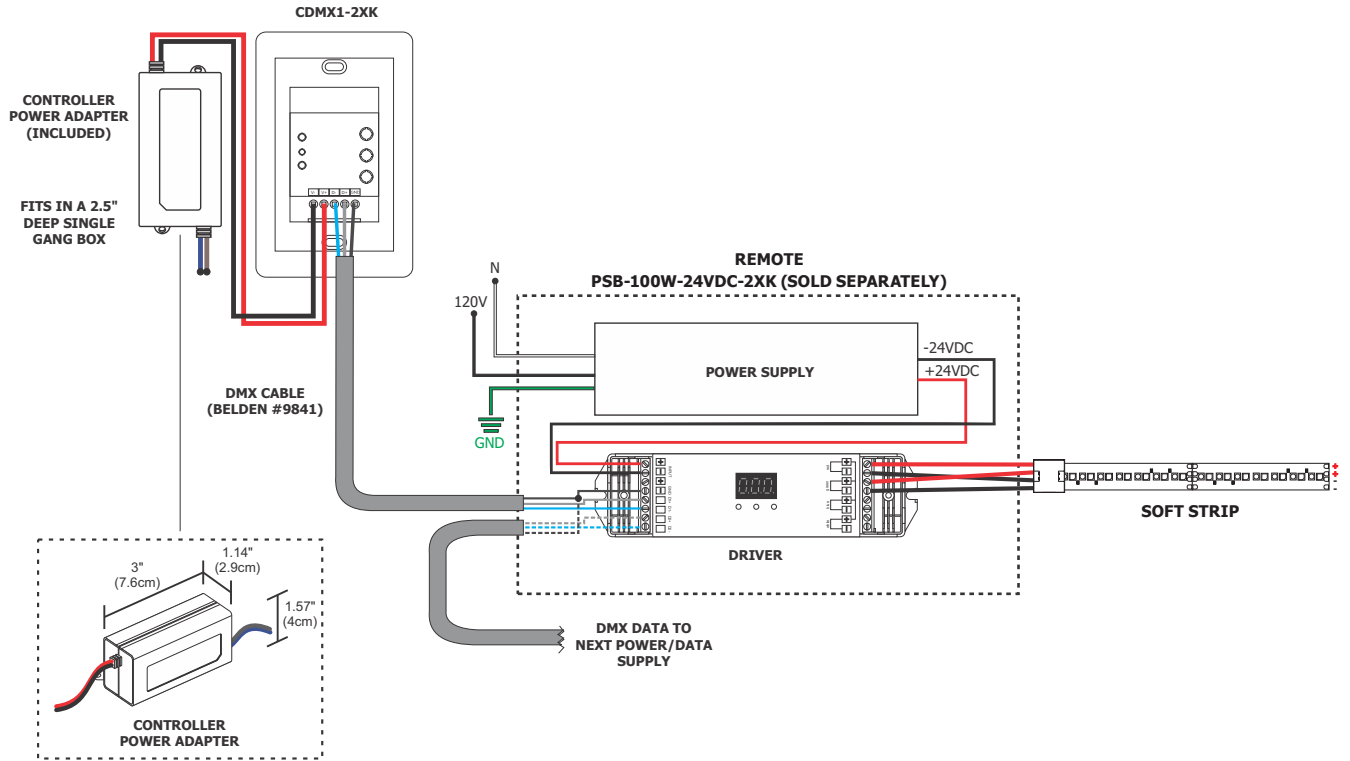
TWIGGY D1

DIRECT 1" LENS VANITY - TUNABLE WHITE 24VDC

DESIGNED BY GREGORY KAY | ASSEMBLED IN AMERICA

REV.06.04.19

- APPLICATION** DMX Control options for Twiggy D1 Vanity
- POWER SUPPLY** Remote, Class 2, 24VDC output: 120VAC input, PSB-100W-24VDC-2XK
- DIMMING** Integrated Tunable White Driver receives signals from compatible controller



PROJECT	FIXTURE TYPE	DATE
---------	--------------	------



TWIGGY D1

DIRECT 1" LENS VANITY - TUNABLE WHITE 24VDC



DESIGNED BY GREGORY KAY | ASSEMBLED IN AMERICA

REV.06.04.19

LENGTH CHART Please refer to chart below for overall length (with End Caps) for Twiggy D1 Vanity

Ordering Code	Overall Length (Inches)	Ordering Code	Overall Length (Inches)
12IN	13.1	68IN	68.3
15IN	15.5	70IN	70.7
17IN	17.9	72IN	73.1
20IN	20.3	75IN	75.5
22IN	22.7	77IN	77.9
24IN	25.1	80IN	80.3
27IN	27.5	82IN	82.7
29IN	29.9	84IN	85.1
32IN	32.3	87IN	87.5
34IN	34.7	89IN	89.9
36IN	37.1	92IN	92.3
39IN	39.5	94IN	94.7
41IN	41.9	96IN	97.1
44IN	44.3	99IN	99.5
46IN	46.7	101IN	101.9
48IN	49.1	104IN	104.3
51IN	51.5	106IN	106.7
53IN	53.9	108IN	109.1
56IN	56.3	111IN	111.5
58IN	58.7	113IN	113.9
60IN	61.1	116IN	116.3
63IN	63.5	118IN	118.7
65IN	65.9	120IN	121.1

PROJECT		FIXTURE TYPE		DATE	
---------	--	--------------	--	------	--



TWIGGY D1




DIRECT 1" LENS VANITY - TUNABLE WHITE 24VDC






DESIGNED BY GREGORY KAY | ASSEMBLED IN AMERICA

REV.06.04.19

REQUIRED COMPONENTS 24VDC ELV Compatible Power Supplies

ELECTRONIC LOW-VOLTAGE (ELV) POWER SUPPLIES & RECOMMENDED DIMMERS†				
ORDERING CODE	PSB-60L-ELV-24VDC 	PSB-60W-ELV-24VDC* 	PSB-2X60W-ELV-24VDC 	PSB-100W-ELV-24VDC* 
SPECIFICATIONS				
MAXIMUM LOAD	60W NON-IC, 50W-IC (FITS IN J-BOX)	60W	2X60W	96W
INPUT VOLTAGE	120VAC	120VAC	120VAC	120VAC
OUTPUT VOLTAGE	24VDC	24VDC	24VDC	24VDC
DIMENSIONS	2.25" X 1.25" X 0.83"	8.125" X 2" X 1.75"	12.15" X 6.48" X 2.18"	9.25" X 3.5" X 2"
CLASSIFICATION	CLASS 2	CLASS 2	CLASS 2	CLASS 2
IN-WALL MOUNTING	N/A	PSB-60W-ELV-24VDC-IW	PSB-2X60W-ELV-24VDC-IW	PSB-100W-ELV-24VDC-IW
DIMMING & CONTROLS				
LUTRON DIVA: DVELV-300P	•	•	•	•
LUTRON SKYLARK: SELV-300P	•	•	•	•
LUTRON RADIO RA2: RRD-6NA	N/A	•	•	•
LUTRON MAESTRO: MAELV-600	•	•	•	•
LEGRAND ADORNE: ADTP-703TUM4	N/A	•	•	•

ELECTRONIC LOW-VOLTAGE (ELV) POWER SUPPLIES & RECOMMENDED DIMMERS†			
ORDERING CODE	PSB-2X100W-ELV-24VDC 	PSB-3X100W-ELV-24VDC 	PSB-4X100W-ELV-24VDC 
SPECIFICATIONS			
MAXIMUM LOAD	2X96W	3X96W	4X96W
INPUT VOLTAGE	120VAC	120VAC	120VAC
OUTPUT VOLTAGE	24VDC	24VDC	24VDC
DIMENSIONS	12.15" X 6.48" X 2.18"	14" X 10" X 3"	17" X 13" X 3"
CLASSIFICATION	CLASS 2	CLASS 2	CLASS 2
IN-WALL MOUNTING	PSB-2X100W-ELV-24VDC-IW	N/A	N/A
DIMMING & CONTROLS			
LUTRON DIVA: DVELV-300P	•	•	•
LUTRON SKYLARK: SELV-300P	•	•	•
LUTRON RADIO RA2: RRD-6NA	•	•	•
LUTRON MAESTRO: MAELV-600	•	•	•
LEGRAND ADORNE: ADTP-703TUM4	•	•	•

*Two Power Supplies are required.

† Tunable White (2K4K) Color Temperature is compatible with 0-10V, ELV, DMX, and Lutron Hi-lume® Power Supplies.

PROJECT	FIXTURE TYPE	DATE
---------	--------------	------



TWIGGY D1





DIRECT 1" LENS VANITY - TUNABLE WHITE 24VDC





DESIGNED BY GREGORY KAY | ASSEMBLED IN AMERICA

REV.06.04.19

REQUIRED COMPONENTS 24VDC 0-10V Compatible Power Supplies

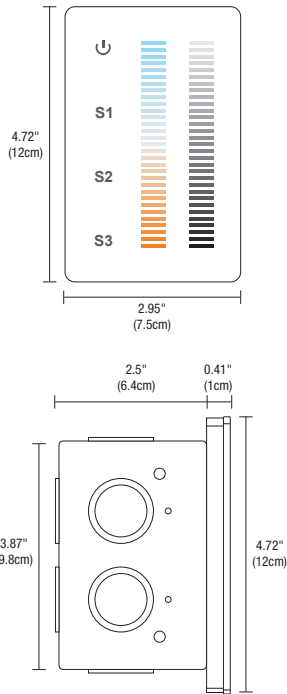
0-10 VOLT (010) POWER SUPPLIES & RECOMMENDED DIMMERS†				
ORDERING CODE	PSB-25W-010-24VDC*	PSB-60W-010-24VDC*	PSB-96W-010-24VDC*	PSB-2X96W-010-24VDC
				
SPECIFICATIONS				
MAXIMUM LOAD	25W	60W	96W	2X96W
INPUT VOLTAGE	120VAC	120-277VAC	120-277VAC	120-277VAC
OUTPUT VOLTAGE	24VDC	24VDC	24VDC	24VDC
DIMENSIONS	12.4" X 3.12" X 2.18"	12.4" X 3.12" X 2.18"	12.4" X 3.12" X 2.18"	12.15" X 6.48" X 2.18"
CLASSIFICATION	CLASS 2	CLASS 2	CLASS 2	CLASS 2
IN-WALL MOUNTING	PSB-25W-010-24VDC-IW	PSB-60W-010-24VDC-IW	PSB-96W-010-24VDC-IW	PSB-2X96W-010-24VDC-IW
DIMMING & CONTROLS				
PHILIPS SUNRISE: SR1200ZTUNV	•	•	•	•
LUTRON DIVA:: DVTV-WH	•	•	•	•
LUTRON NOVA T: NTSTV-DV-XX	•	•	•	•
LUTRON GRAFIX EYE QS: QSGR-J-XP	•	•	•	•
LUTRON RADIO RA2: RRD-10ND	•	•	•	•
LEVITON: LEV40050	•	•	•	•
LEVITON IP710-LFZ	•	•	•	•
LEGRAND: ADPD4FBL3P2W4	•	•	•	•

ELECTRONIC LOW-VOLTAGE (ELV) POWER SUPPLIES & RECOMMENDED DIMMERS†		
ORDERING CODE	PSB-3X96W-010-24VDC	PSB-4X96W-010-24VDC
		
SPECIFICATIONS		
MAXIMUM LOAD	3X96W	4X96W
INPUT VOLTAGE	120-277VAC	120-277VAC
OUTPUT VOLTAGE	24VDC	24VDC
DIMENSIONS	14" X 10" X 3"	17" X 13" X 3"
CLASSIFICATION	CLASS 2	CLASS 2
IN-WALL MOUNTING	N/A	N/A
DIMMING & CONTROLS		
LUTRON DIVA: DVELV-300P	•	•
LUTRON SKYLARK: SELV-300P	•	•
LUTRON RADIO RA2: RRD-6NA	•	•
LUTRON MAESTRO: MAELV-600	•	•
LEGRAND ADORNE: ADTP-703TUM4	•	•

*Two Power Supplies are required.

† Tunable White (2K4K) Color Temperature is compatible with 0-10V, ELV, DMX, and Lutron Hi-lume® Power Supplies.

PROJECT		FIXTURE TYPE		DATE	
---------	--	--------------	--	------	--



side view jbox

Description:

The Tunable White Touch Controller is a full-touch controller that offers fast and accurate color temperature adjustment and independent brightness dimming of a single zone. Designed for tunable white and dual-color LED installations, this controller adjusts color temperature and brightness for warm and cool white LEDs. It also saves 3 preset scenes. Independent smooth dimming with 256 level brightness adjustment enables the DMX controller to achieve many colors within the full LED spectrum. Controller includes a power adapter that fits in junction box (not included) behind the controller. It contains an illuminated back light when powered off.

Applications:

Indoor

Installation:

Fits in a single gang 2.5 inch deep junction box, not to be used with a multi gang box

Power Input:

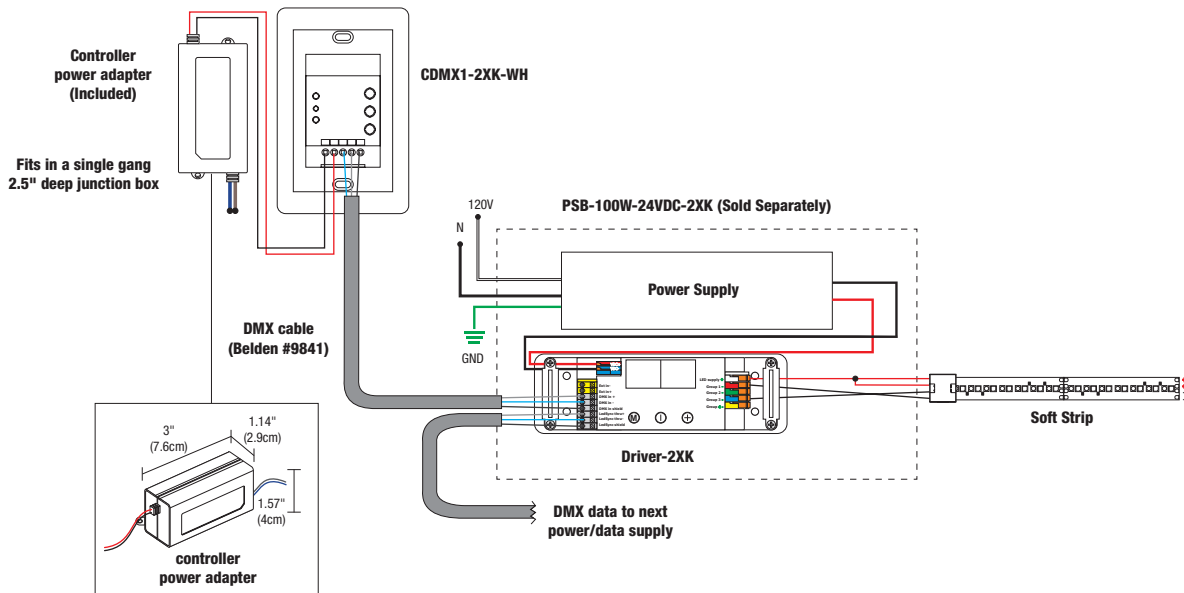
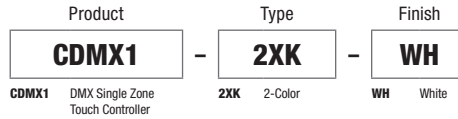
120-240VAC

Compatible Power Supplies (Sold Separately):

PSB-100W-24VDC-2XK 100W output, 120-277V Input
 PSB-2X100W-24VDC-2XK 2x100W output, 120-277V Input
 PSB-3X100W-24VDC-2XK 3x100W output, 120-277V Input
 PSB-4X100W-24VDC-2XK 4x100W output, 120-277V Input

Output Signal:

USITT DMX 512 (1990)



PROJECT	FIXTURE TYPE	DATE
---------	--------------	------



TWIGGY D1

DIRECT 1" LENS VANITY - TUNABLE WHITE 24VDC




DESIGNED BY GREGORY KAY | ASSEMBLED IN AMERICA

REV.06.04.19

REQUIRED COMPONENTS 24VDC Lutron Compatible Power Supply





LUTRON HI-LUME® PREMIER .1% ECOSYSTEM® 3-WIRE POWER SUPPLY & RECOMMENDED CONTROLLERS†

ORDERING CODE	L3D0-96W24V-U	
		
SPECIFICATIONS		
MAXIMUM LOAD	96W	
INPUT VOLTAGE	120-277VAC	
OUTPUT VOLTAGE	24VDC	
DIMENSIONS	10.5" X 5.5" X 2"	
CLASSIFICATION	CLASS 2	
DIMMING & CONTROLS		
RADIO RA2	•	
HOMEWORKS QS	•	
PHPM-3F-120	•	
PHPM-3F-DV	•	
BCI-0-10	•	

† Tunable White (2K4K) Color Temperature is compatible with 0-10V, ELV, DMX, and Lutron Hi-lume® Power Supplies.

REQUIRED COMPONENTS 24VDC DMX 2XK Tunable White Compatible Power Supplies

DYNAMIC COLOR CHANGING (DMX) POWER SUPPLIES & RECOMMENDED CONTROLLERS†

ORDERING CODE	PSB-100W-24VDC-2XK	PSB-2X100W-24VDC-2XK	PSB-3X100W-24VDC-2XK	PSB-4X100W-24VDC-2XK
				
SPECIFICATIONS				
MAXIMUM LOAD	100W	2X100W	3X100W	4X100W
INPUT VOLTAGE	120-277VAC	120-277VAC	120-277VAC	120-277VAC
OUTPUT VOLTAGE	24VDC	24VDC	24VDC	24VDC
DIMENSIONS	12.14" X 6.48" X 2.18"	14" X 10" X 3"	17" X 13" X 3"	17" X 13" X 3"
CLASSIFICATION	CLASS 2	CLASS 2	CLASS 2	CLASS 2
IN-WALL MOUNTING	PSB-100W-24VDC-2XK-IW	N/A	N/A	N/A
DIMMING & CONTROLS				
TUNABLE WHITE TOUCH CONTROLLER (CDMX1-2XK)	•	•	•	•

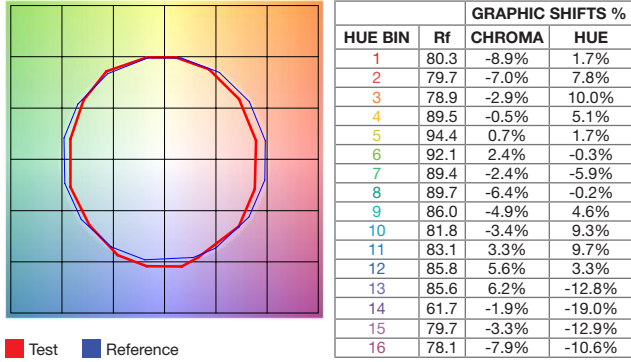
PROJECT	FIXTURE TYPE	DATE
---------	--------------	------

TM-30-15 DATA

The data below is for SS5C bare LED Soft Strips. Consistent color temperatures throughout a single strip and among multiple strips is possible through a 3 phase binning process in which each order is inspected with a color meter to ensure uniformity.

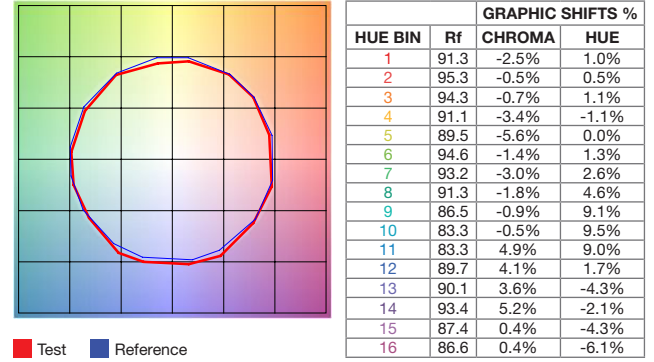
2000K ONLY (2K4K) | Rf: 84.3 | Rg: 96.9

Color Vector Graphic



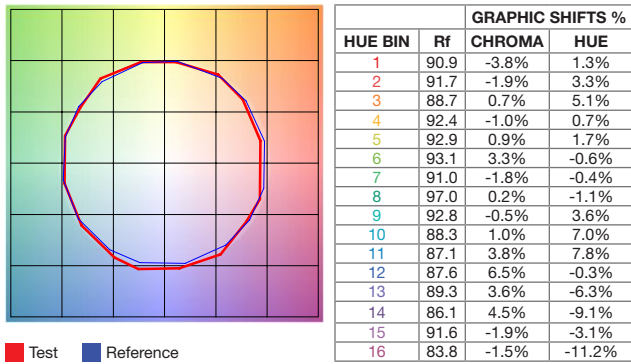
4000K ONLY (2K4K) | Rf: 89.6 | Rg: 99.1

Color Vector Graphic



2K4K (3000K) | Rf: 90.2 | Rg: 101.4

Color Vector Graphic



PROJECT	FIXTURE TYPE	DATE
---------	--------------	------