

TWIGGY T1 WALL VERTICAL DYNAMIC/TUNABLE WHITE

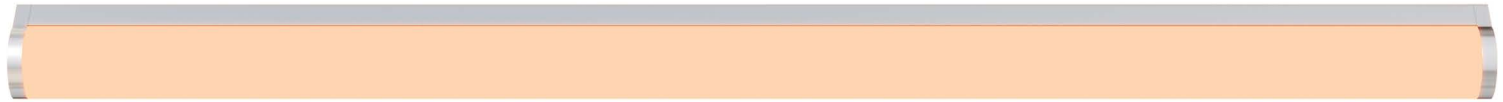
WITH REMOTE 24VDC POWER SUPPLY, HUMAN CENTRIC LIGHTING

DESIGNED BY GREGORY KAY | ASSEMBLED IN AMERICA

REV 01.31.20



4000K



2000K

DESCRIPTION

Twiggy T1 Tubular Linear Wall Vertical or Horizontal offering Dynamic/Tunable White LED Technology. Using the latest advancements in LED technology and design, Variable White temperature (Kelvin) changes at full brightness from 2000K (Sunset) to 4000K (Cool White). Suitable for warm dim (dim-to-warm) applications. Uses Designer Commercial Grade LED Variable White Soft Strip. 95+ CRI LEDs are set behind a clean opaque lens with a 100-degree beam spread.

ELECTRICAL:

Power Supply Options:	24VDC input remote power supply sold separately. Remote UNI Power Supply is Title 24 Compliant.
Input Voltage:	120VAC-277VAC
Output Voltage:	24VDC Class 2 wiring
Power Consumed:	5 watts per foot
LEDs per Foot:	35 at 2000K, 35 at 4000K, TOTAL = 70
Dimming:	ELV, 010, Triac, DMX, Lutron Hi-Lume® (not included)
Average LED life:	60,000 hrs @ normal usage

LUMEN PERFORMANCE:

@2700K 4.8W per Foot (See Page 2)

Lumen Output:	236 Lm/Ft
Efficiency:	51 Lm/Ft
CRI:	95+
Beam Angle:	100 degrees

POWER SUPPLY:

The system is powered by Dual Remote 24VDC Universal Power Supplies and can be controlled with a variety of dimmers or controls (Sold Separately, pgs 4-8).

APPROVALS

Class 2 Wiring up to 100 watts, Damp Location Suitable, ADA and ETL listed, Title 24, Assembled in America

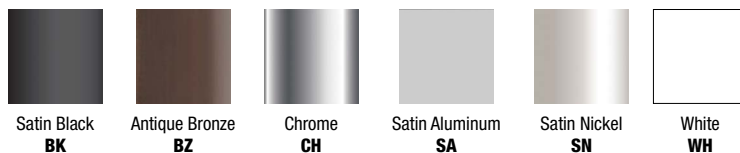
PHYSICAL ATTRIBUTES:

Mounting Options:	4S: Square Floating canopy mounts to standard 4" electrical box with round plaster plate.
	1R: 1" Floating Rectangle canopy mounts to slim profile junction box (included) recommend for new construction application.
Compliance:	ADA, ETL, Title 24
Warranty:	PureEdge's 5 Year PRO-RATED Warranty is backed by over 30 years of precision lighting manufacturing and design.

APPLICATIONS

Indoor Only, Damp Location - Bathroom Vanity, Dressing Rooms, Resort Spa, Beauty Salon, Retail Changing rooms, Hospitality, Offices Spaces. Hallway lighting, Health Care Human Centric lighting

FINISHES:



Product	Lens	Wattage	Canopy	Length in Inches	Color Temperature	Finish
TW2	T1	5W	1R	12	2K4K	SA
TW2 Twiggy Vanity 24VDC with remote power supply	T1 Tubular 1"	5W 5 Watts per foot	1R 1" Rectangle with Junction Box 4S 4" Square Canopy	12-120 Order in 12" increments up to 120". May be ordered in 3", 5", 8", or 10" increments*. Chrome max 84". <small>*See pg. 3 for actual lengths.</small>	2K4K 2000K-4000K Tunable White 	SA Satin Aluminum SN Satin Nickel CH Chrome (Max 84") BZ Antique Bronze BK Satin Black WH White

PROJECT	FIXTURE TYPE	DATE	
---------	--------------	------	--

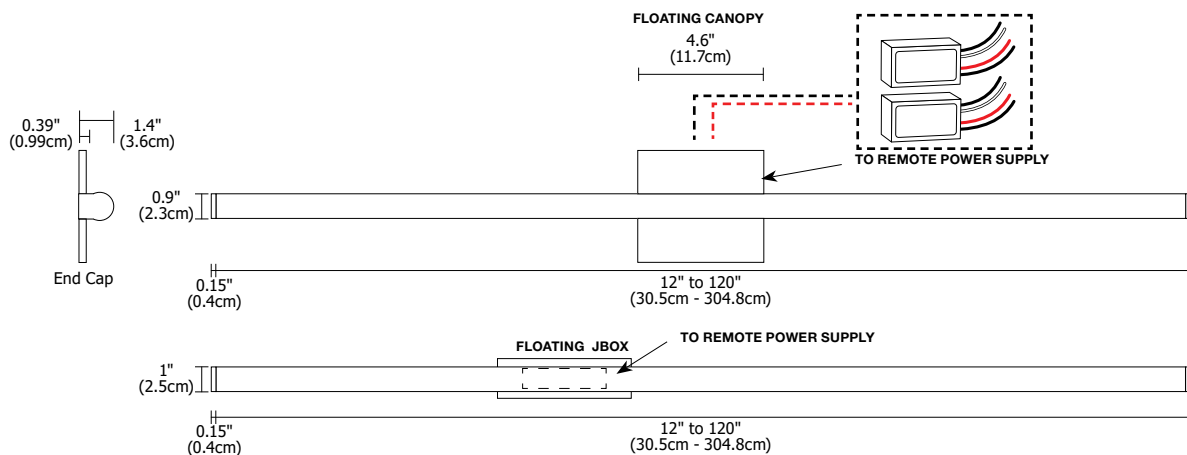
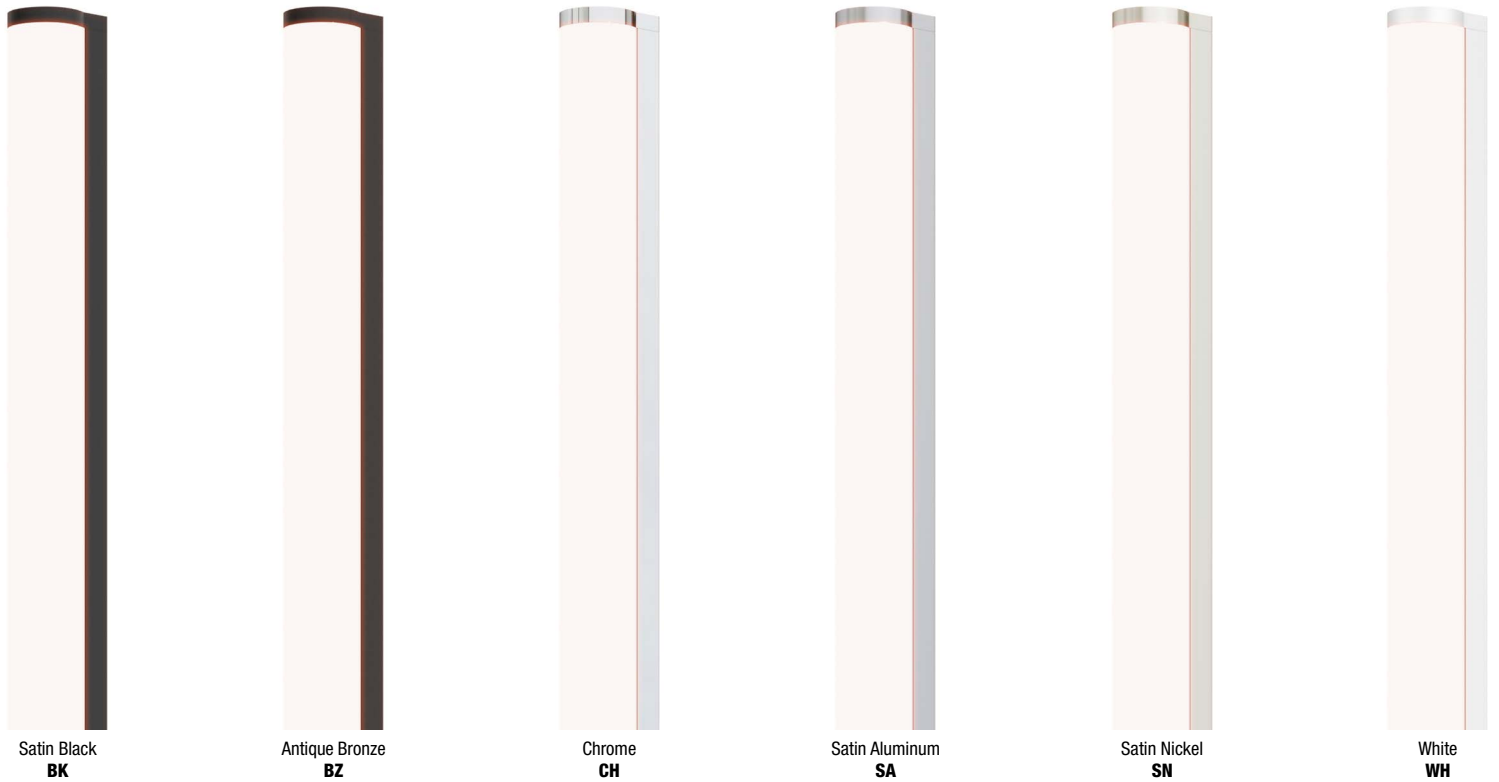
TWIGGY T1 WALL VERTICAL DYNAMIC/TUNABLE WHITE

WITH REMOTE 24VDC POWER SUPPLY, HUMAN CENTRIC LIGHTING

REV 01.31.20

Nominal Lamp Data: Lamp data for the Twiggy Vanity

DESCRIPTION	TW2 (at 5 watts per ft)					
	TWIGGY VANITY - TUNABLE WHITE					
COLOR TEMPERATURE	20K	24K	27K	30K	35K	40K
WATTS	2.5	3.7	4.6	4	3.3	2.6
LUMENS PER FOOT (lm/ft)	154	188	236	209	178	145
LUMENS PER WATT (lm/w)	48	50	51.3	52.4	54.4	56.4
CRI	85+	90+	95+	95+	84	84



PROJECT	FIXTURE TYPE	DATE
---------	--------------	------



TWIGGY T1 WALL VERTICAL DYNAMIC/TUNABLE WHITE

WITH REMOTE 24VDC POWER SUPPLY, HUMAN CENTRIC LIGHTING



REV 01.31.20

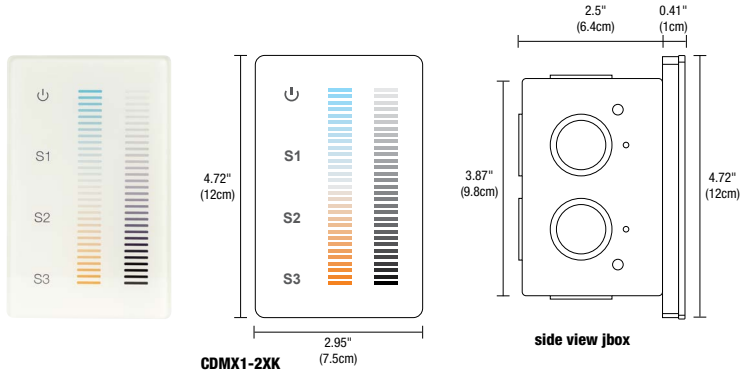
LENGTH CHART Please refer to chart below for overall length (with End Caps) for Twiggy T1 Vanity

Ordering Code	Overall Length (Inches)	Total Wattage (1 Fixture)	Minimum Power Supply (1 fixture)	Total Wattage (2 Fixtures)	Minimum Power Supply (2 fixtures)	Ordering Code	Overall Length (Inches)	Total Wattage (1 Fixture)	Minimum Power Supply (1 fixture)	Total Wattage (2 Fixtures)	Minimum Power Supply (2 fixtures)
12IN	13.1	5	PSB-2x40w-UNI-24VDC or PSB-100W-24VDC-2XK	10	PSB-2x40w-UNI-24VDC or PSB-100W-24VDC-2XK	68IN	68.3	28	PSB-2x40w-UNI-24VDC or PSB-100W-24VDC-2XK	56	PSB-2x40w-UNI-24VDC or PSB-100W-24VDC-2XK
15IN	15.5	6	PSB-2x40w-UNI-24VDC or PSB-100W-24VDC-2XK	12	PSB-2x40w-UNI-24VDC or PSB-100W-24VDC-2XK	70IN	70.7	29	PSB-2x40w-UNI-24VDC or PSB-100W-24VDC-2XK	58	PSB-2x40w-UNI-24VDC or PSB-100W-24VDC-2XK
17IN	17.9	7	PSB-2x40w-UNI-24VDC or PSB-100W-24VDC-2XK	14	PSB-2x40w-UNI-24VDC or PSB-100W-24VDC-2XK	72IN	73.1	30	PSB-2x40w-UNI-24VDC or PSB-100W-24VDC-2XK	60	PSB-2x40w-UNI-24VDC or PSB-100W-24VDC-2XK
20IN	20.3	8	PSB-2x40w-UNI-24VDC or PSB-100W-24VDC-2XK	16	PSB-2x40w-UNI-24VDC or PSB-100W-24VDC-2XK	75IN	75.5	31	PSB-2x40w-UNI-24VDC or PSB-100W-24VDC-2XK	62	PSB-2x40w-UNI-24VDC or PSB-100W-24VDC-2XK
22IN	22.7	9	PSB-2x40w-UNI-24VDC or PSB-100W-24VDC-2XK	18	PSB-2x40w-UNI-24VDC or PSB-100W-24VDC-2XK	77IN	77.9	32	PSB-2x40w-UNI-24VDC or PSB-100W-24VDC-2XK	64	PSB-2x40w-UNI-24VDC or PSB-100W-24VDC-2XK
24IN	25.1	10	PSB-2x40w-UNI-24VDC or PSB-100W-24VDC-2XK	20	PSB-2x40w-UNI-24VDC or PSB-100W-24VDC-2XK	80IN	80.3	33	PSB-2x40w-UNI-24VDC or PSB-100W-24VDC-2XK	66	PSB-2x40w-UNI-24VDC or PSB-100W-24VDC-2XK
27IN	27.5	11	PSB-2x40w-UNI-24VDC or PSB-100W-24VDC-2XK	22	PSB-2x40w-UNI-24VDC or PSB-100W-24VDC-2XK	82IN	82.7	34	PSB-2x40w-UNI-24VDC or PSB-100W-24VDC-2XK	68	PSB-2x40w-UNI-24VDC or PSB-100W-24VDC-2XK
29IN	29.9	12	PSB-2x40w-UNI-24VDC or PSB-100W-24VDC-2XK	24	PSB-2x40w-UNI-24VDC or PSB-100W-24VDC-2XK	84IN (Max shipping length for chrome)	85.1	35	PSB-2x40w-UNI-24VDC or PSB-100W-24VDC-2XK	70	PSB-2x40w-UNI-24VDC or PSB-100W-24VDC-2XK
32IN	32.3	13	PSB-2x40w-UNI-24VDC or PSB-100W-24VDC-2XK	26	PSB-2x40w-UNI-24VDC or PSB-100W-24VDC-2XK	87IN	87.5	36	PSB-2x40w-UNI-24VDC or PSB-100W-24VDC-2XK	72	PSB-2x40w-UNI-24VDC or PSB-100W-24VDC-2XK
34IN	34.7	14	PSB-2x40w-UNI-24VDC or PSB-100W-24VDC-2XK	28	PSB-2x40w-UNI-24VDC or PSB-100W-24VDC-2XK	89IN	89.9	37	PSB-2x40w-UNI-24VDC or PSB-100W-24VDC-2XK	74	PSB-2x40w-UNI-24VDC or PSB-100W-24VDC-2XK
36IN	37.1	15	PSB-2x40w-UNI-24VDC or PSB-100W-24VDC-2XK	30	PSB-2x40w-UNI-24VDC or PSB-100W-24VDC-2XK	92IN	92.3	38	PSB-2x40w-UNI-24VDC or PSB-100W-24VDC-2XK	76	PSB-2x60w-UNI-24VDC or PSB-100W-24VDC-2XK
39IN	39.5	16	PSB-2x40w-UNI-24VDC or PSB-100W-24VDC-2XK	32	PSB-2x40w-UNI-24VDC or PSB-100W-24VDC-2XK	94IN	94.7	39	PSB-2x40w-UNI-24VDC or PSB-100W-24VDC-2XK	78	PSB-2x60w-UNI-24VDC or PSB-100W-24VDC-2XK
41IN	41.9	17	PSB-2x40w-UNI-24VDC or PSB-100W-24VDC-2XK	34	PSB-2x40w-UNI-24VDC or PSB-100W-24VDC-2XK	96IN	97.1	40	PSB-2x40w-UNI-24VDC or PSB-100W-24VDC-2XK	80	PSB-2x60w-UNI-24VDC or PSB-100W-24VDC-2XK
44IN	44.3	18	PSB-2x40w-UNI-24VDC or PSB-100W-24VDC-2XK	36	PSB-2x40w-UNI-24VDC or PSB-100W-24VDC-2XK	99IN	99.5	41	PSB-2x40w-UNI-24VDC or PSB-100W-24VDC-2XK	82	PSB-2x60w-UNI-24VDC or PSB-100W-24VDC-2XK
46IN	46.7	19	PSB-2x40w-UNI-24VDC or PSB-100W-24VDC-2XK	38	PSB-2x40w-UNI-24VDC or PSB-100W-24VDC-2XK	101IN	101.9	42	PSB-2x40w-UNI-24VDC or PSB-100W-24VDC-2XK	84	PSB-2x60w-UNI-24VDC or PSB-100W-24VDC-2XK
48IN	49.1	20	PSB-2x40w-UNI-24VDC or PSB-100W-24VDC-2XK	40	PSB-2x40w-UNI-24VDC or PSB-100W-24VDC-2XK	104IN	104.3	43	PSB-2x40w-UNI-24VDC or PSB-100W-24VDC-2XK	86	PSB-2x60w-UNI-24VDC or PSB-100W-24VDC-2XK
51IN	51.5	21	PSB-2x40w-UNI-24VDC or PSB-100W-24VDC-2XK	42	PSB-2x40w-UNI-24VDC or PSB-100W-24VDC-2XK	106IN	106.7	44	PSB-2x40w-UNI-24VDC or PSB-100W-24VDC-2XK	88	PSB-2x60w-UNI-24VDC or PSB-100W-24VDC-2XK
53IN	53.9	22	PSB-2x40w-UNI-24VDC or PSB-100W-24VDC-2XK	44	PSB-2x40w-UNI-24VDC or PSB-100W-24VDC-2XK	108IN	109.1	45	PSB-2x40w-UNI-24VDC or PSB-100W-24VDC-2XK	90	PSB-2x60w-UNI-24VDC or PSB-100W-24VDC-2XK
56IN	56.3	23	PSB-2x40w-UNI-24VDC or PSB-100W-24VDC-2XK	46	PSB-2x40w-UNI-24VDC or PSB-100W-24VDC-2XK	111IN	111.5	46	PSB-2x40w-UNI-24VDC or PSB-100W-24VDC-2XK	92	PSB-2x60w-UNI-24VDC or PSB-100W-24VDC-2XK
58IN	58.7	24	PSB-2x40w-UNI-24VDC or PSB-100W-24VDC-2XK	48	PSB-2x40w-UNI-24VDC or PSB-100W-24VDC-2XK	113IN	113.9	47	PSB-2x40w-UNI-24VDC or PSB-100W-24VDC-2XK	94	PSB-2x60w-UNI-24VDC or PSB-100W-24VDC-2XK
60IN	61.1	25	PSB-2x40w-UNI-24VDC or PSB-100W-24VDC-2XK	50	PSB-2x40w-UNI-24VDC or PSB-100W-24VDC-2XK	116IN	116.3	48	PSB-2x40w-UNI-24VDC or PSB-100W-24VDC-2XK	96	PSB-2x60w-UNI-24VDC or PSB-100W-24VDC-2XK
63IN	63.5	26	PSB-2x40w-UNI-24VDC or PSB-100W-24VDC-2XK	52	PSB-2x40w-UNI-24VDC or PSB-100W-24VDC-2XK	118IN	118.7	49	PSB-2x40w-UNI-24VDC or PSB-100W-24VDC-2XK	98	PSB-2x60w-UNI-24VDC or PSB-100W-24VDC-2XK
65IN	65.9	27	PSB-2x40w-UNI-24VDC or PSB-100W-24VDC-2XK	54	PSB-2x40w-UNI-24VDC or PSB-100W-24VDC-2XK	120IN	121.1	50	PSB-2x40w-UNI-24VDC or PSB-100W-24VDC-2XK	100	PSB-2x60w-UNI-24VDC or PSB-2x100W-24VDC-2XK

PROJECT		FIXTURE TYPE		DATE	
---------	--	--------------	--	------	--

INDOOR CONSTANT VOLTAGE REMOTE POWER SUPPLIES

24VDC, DYNAMIC/TUNABLE WHITE POWER SUPPLIES WITH DMX DRIVER



Description:

The Tunable White Touch Controller is a full-touch controller that offers fast and accurate color temperature adjustment and independent brightness dimming of a single zone. Designed for dynamic/tunable white and dual-color LED installations, this controller adjusts color temperature and brightness for warm and cool white LEDs. It also saves 3 preset scenes. Independent smooth dimming with 256 level brightness adjustment enables the DMX controller to achieve many colors within the full LED spectrum. Controller includes a power adapter that fits in junction box (not included) behind the controller. It contains an illuminated back light when powered off.

Applications:

Indoor

Power Input:

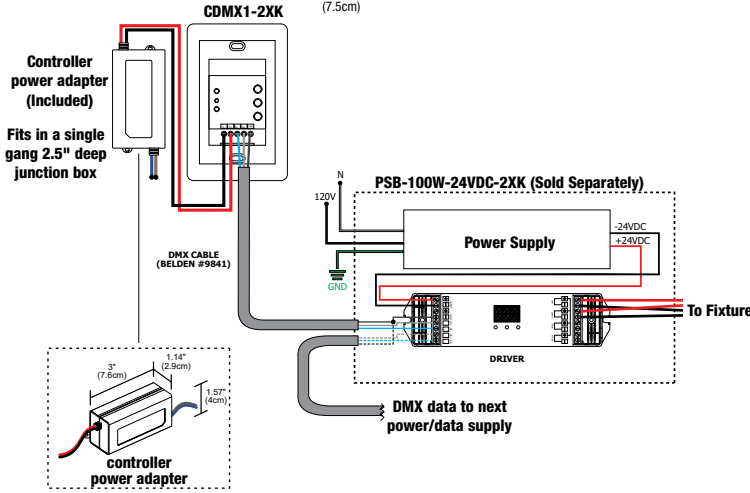
120-240VAC

Installation:

Fits in a single gang 2.5 inch deep junction box, not to be used with a multi gang box

Output Signal:

USITT DMX 512 (1990)



Product	Type	Finish
CDMX1	2XK	WH
CDMX1 DMX Single Zone Touch Controller	2XK 2 X Kelvin	WH White

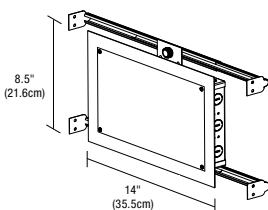
DYNAMIC COLOR CHANGING (DMX) POWER SUPPLIES & RECOMMENDED CONTROLLERS¹

ORDERING CODE	PSB-100W-24VDC-2XK	PSB-2X100W-24VDC-2XK	PSB-3X100W-24VDC-2XK	PSB-4X100W-24VDC-2XK
SPECIFICATIONS				
MAXIMUM LOAD	100W	2X100W	3X100W	4X100W
INPUT VOLTAGE	120-277VAC	120-277VAC	120-277VAC	120-277VAC
OUTPUT VOLTAGE	24VDC	24VDC	24VDC	24VDC
DIMENSIONS	12.4" X 6.48" X 2.18"	14" X 10" X 3"	17" X 10" X 3"	17" X 10" X 3"
CLASSIFICATION	CLASS 2	CLASS 2	CLASS 2	CLASS 2
IN-WALL MOUNTING	PSB-100W-24VDC-2XK-IW	NA	NA	NA
DMX DYNAMIC/TUNABLE WHITE DIMMING & CONTROLS				
TUNABLE WHITE TOUCH CONTROLLER (CDMX1-2XK)	•	•	•	•

- Flicker free dimming
- Aluminum casing for optimal heat dissipation
- Isolated output power per NEC and UL safety requirements
- UL & ETL recognized/ listed, meets UL 8750, 1310 requirements
- Auto-reset; short circuit, overload and thermal protection
- Class 2 power supply
- Efficient, High power factor > 0.90

- The Solid State Constant Voltage Uni-Power Supply is compatible with most commercially available Dimmers:
 - Triac Dimmer: (Forward Phase) Typically used for the dimming of Incandescent and Low Voltage Magnetic Transformers
 - ELV Dimmer: (Reverse Phase) Dimming of Electronic Low Voltage Transformers and Power Supply's used for LED lighting
 - 0-10 Dimmer: Dims the Low Voltage side of a 0-10 volt power supply commonly used in large scale lighting or commercial applications.
- The Uni-Power Supply is recommended with any Siemens/Murray brand of arc fault breaker to overcome the issues with tripping the breakers with an ELV LED Low Voltage Drivers.

IN WALL MOUNTING OPTIONS

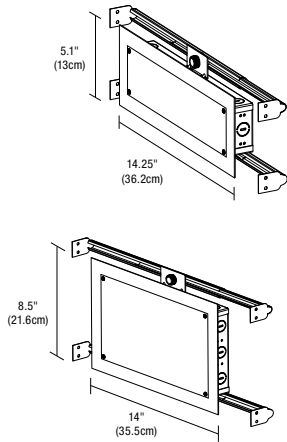


8.5 x 14 inch In-Wall Mounting Kit: Includes power supply, box cover and stud hangers for installing Junction Box in wall. Select "IW" in the options section of compatible power supply ordering codes if an In-Wall Mounting Kit is needed.

Ordering Codes: PSB-100W-24VDC-2XK-IW

PROJECT		FIXTURE TYPE		DATE	
---------	--	--------------	--	------	--

IN WALL MOUNTING OPTIONS



In-Wall Mounting Kit: Includes power supply, box cover and stud hangers for installing Junction Box in wall. Select "IW" in the options section of compatible power supply ordering codes if an In-Wall Mounting Kit is needed.

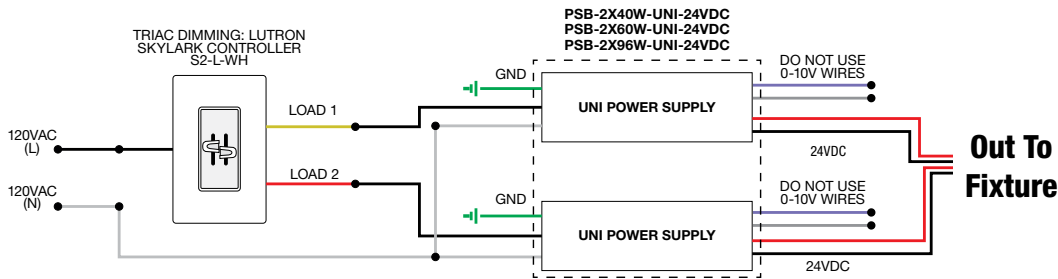
Ordering Codes 5.1 x 14.25 inch: PSB-40W-UNI-24VDC-IW
PSB-60W-UNI-24VDC-IW
PSB-96W-UNI-24VDC-IW

Ordering Codes 8.5 x 14.25 inch: PSB-2X40W-UNI-24VDC-IW
PSB-2X60W-UNI-24VDC-IW
PSB-2X96W-UNI-24VDC-IW

WIRING DIAGRAMS UNIVERSAL POWER SUPPLY

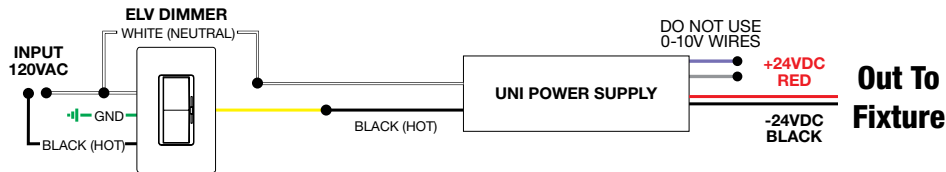
Application: Triac dimming for two power supplies, use for Static White, Dynamic/Tunable White 2000K-4000K

Dimming: Dimmable with Triac dimmer: Lutron: Skylark S2-L



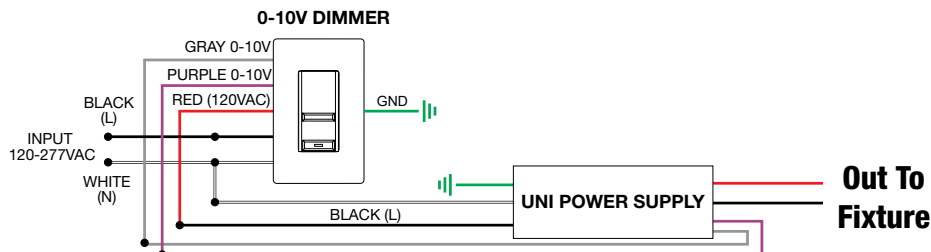
Application: ELV dimming for Static White and Warm Dim

Dimming: Dimmable with ELV dimmer: Legrand, Adorne ADTP703TU; Lutron: Diva DVELV-300P, Skylark SELV-300P, Maestro MAELV-600 and Radio Ra 2






Application: 0-10V dimming for Static White

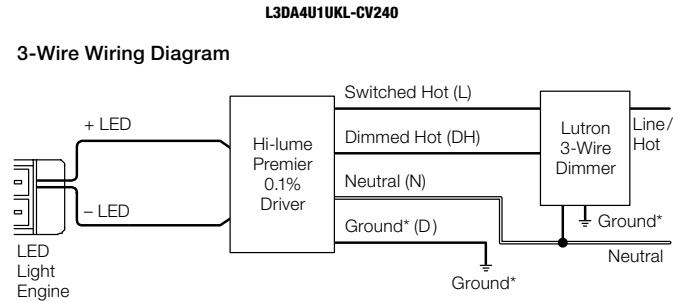
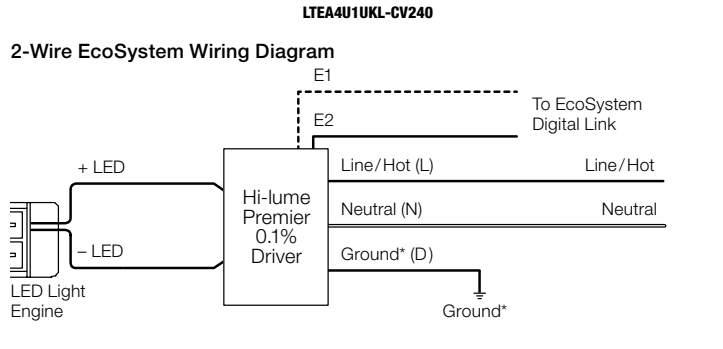
Dimming: Dimmable with 0-10V dimmer: Philips Sunrise: SR1200ZTUNV; Lutron Diva: DVTV-WH, DVSTV-WH; Lutron Nova T: NTSTV-DV-XX; Lutron Grafix EYE QS: QSGRJ-XP; Lutron Radio Ra2: RRD-10ND; Leviton: LEV40050; Leviton IP710-LFZ; Legrand: ADPD4FBL3P2W4



PROJECT		FIXTURE TYPE		DATE	
---------	--	--------------	--	------	--

LUTRON HI-LUME® PREMIER .1% ECOSYSTEM®†			
ORDERING CODES	L3D0-96W24V-U 	2-WIRE ECOSYSTEM LTEA4U1UKL-CV240 	3-WIRE ECOSYSTEM L3DA4U1UKL-CV240 
	SPECIFICATIONS		
MAXIMUM LOAD	96W	5W-40W	5W-40W
INPUT VOLTAGE	120-277VAC	120-277VAC	120-277VAC
OUTPUT VOLTAGE	24VDC	24VDC	24VDC
DIMENSIONS	10.5" X 5.5" X 2"	4" X 4.89" X 2.62"	4" X 4.89" X 2.62"
CLASSIFICATION	CLASS 2	CLASS 2	CLASS 2
DIMMING AND CONTROLS			
RADIO RA2	•	•	•
HOMEWORKS QS	•	•	•
PHPM-3F-120	•	•	•
PHPM-3F-DV	•	•	•
BCI-0-10	•	•	•


†24K - 57K color temperatures are compatible with 0-10V, ELV, and Lutron Hi-lume® Power Supplies. Warm Dim (27D, 30D) color temperatures are only compatible with ELV power supplies.



PROJECT		FIXTURE TYPE		DATE	
---------	--	--------------	--	------	--

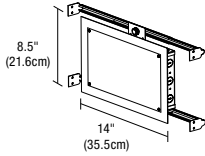
REQUIRED COMPONENTS 24VDC DMX RGB Compatible Power Supplies

DYNAMIC COLOR CHANGING (DMX) POWER SUPPLIES & RECOMMENDED CONTROLLERS[†]

ORDERING CODE	PSB-100W-24VDC-DALI 
SPECIFICATIONS	
MAXIMUM LOAD	100W
INPUT VOLTAGE	120-277VAC
OUTPUT VOLTAGE	24VDC
DIMENSIONS	12.14" X 6.48" X 2.18"
CLASSIFICATION	CLASS 2
IN-WALL MOUNTING	PSB-100W-24VDC-DALI-IW
DIMMING & CONTROLS	
TOUCH SCREEN CONTROLLER (CTP)	•
DMX 1 ZONE RGBW TOUCH CONTROLLER (CDMX1-RGBW)	•
DALI COMPATIBLE	•

[†]2400K-5700K Color Temperatures are compatible with 0-10V, ELV, and Lutron Hi-lume® Power Supplies. Warm Dim (27D, 30D) Color Temperatures are only compatible with ELV Power Supplies. Tunable White (2K4K) Color Temperature is compatible with 0-10V, ELV, DMX, and Lutron Hi-lume® Power Supplies. Dynamic Color (RGB, RGB+W) and Static Color (Amber, Blue, Green, or Red) are compatible with DMX Power Supplies.

Classification: UL2108 - * 24VDC over 100 Watts, wires must be in conduit from Remote Power Supply to J-box.



8.5" X 14" IN-WALL MOUNTING KIT

Includes Power Supply, Box Cover, and Stud Hangers for installing Junction Box in wall. Select "IW" in the options section of compatible Power Supply ordering codes if an In-Wall Mounting Kit is needed.

ORDERING CODES: PSB-100W-24VDC-DALI-IW, PSB-100W-24VDC-RGB-IW

PROJECT	FIXTURE TYPE	DATE	
---------	--------------	------	--

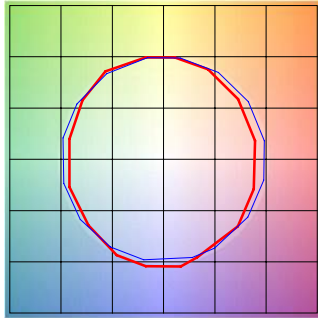
VANITY TM30 DATA

WITH REMOTE 24VDC POWER SUPPLY, HUMAN CENTRIC LIGHTING

TM-30-15 DATA: The data below is for SS5C bare LED Soft Strips. Consistent color temperatures throughout a single strip and among multiple strips is possible through a 3 phase binning process in which each order is inspected with a color meter to ensure uniformity.

2000K ONLY (2K4K) | Rf: 84.3 | Rg: 96.9

Color Vector Graphic

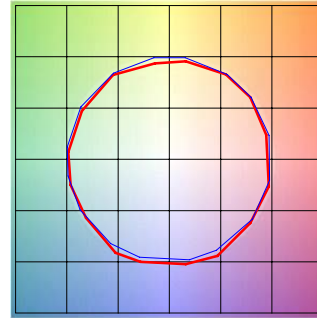


■ Test ■ Reference

GRAPHIC SHIFTS %			
HUE BIN	Rf	CHROMA	HUE
1	80.3	-8.9%	1.7%
2	79.7	-7.0%	7.8%
3	78.9	-2.9%	10.0%
4	89.5	-0.5%	5.1%
5	94.4	0.7%	1.7%
6	92.1	2.4%	-0.3%
7	89.4	-2.4%	-5.3%
8	89.7	-6.4%	-0.2%
9	86.0	-4.9%	4.6%
10	81.8	-3.4%	9.3%
11	83.1	3.3%	9.7%
12	85.8	5.6%	3.3%
13	85.6	6.2%	-12.8%
14	61.7	-1.9%	-19.0%
15	79.7	-3.3%	-12.9%
16	78.1	-7.9%	-10.6%

4000K ONLY (2K4K) | Rf: 89.6 | Rg: 99.1

Color Vector Graphic

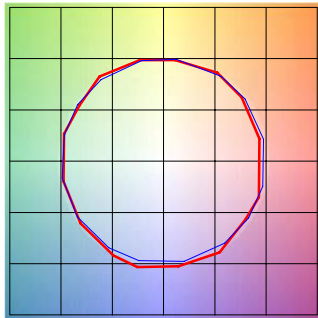


■ Test ■ Reference

GRAPHIC SHIFTS %			
HUE BIN	Rf	CHROMA	HUE
1	91.3	-2.5%	1.0%
2	95.3	-0.5%	0.5%
3	94.3	-0.7%	1.1%
4	91.1	-3.4%	-1.1%
5	89.5	-5.6%	0.0%
6	94.6	-1.4%	1.3%
7	93.2	-3.0%	2.6%
8	91.3	-1.8%	4.6%
9	86.5	-0.9%	9.1%
10	83.3	-0.5%	9.5%
11	83.3	4.9%	9.0%
12	89.7	4.1%	1.7%
13	90.1	3.6%	-4.3%
14	93.4	5.2%	-2.1%
15	87.4	0.4%	-4.3%
16	86.6	0.4%	-6.1%

2K4K (3000K) | Rf: 90.2 | Rg: 101.4

Color Vector Graphic



■ Test ■ Reference

GRAPHIC SHIFTS %			
HUE BIN	Rf	CHROMA	HUE
1	90.9	-3.8%	1.3%
2	91.7	-1.9%	3.3%
3	88.7	0.7%	5.1%
4	92.4	-1.0%	0.7%
5	92.9	0.9%	1.7%
6	93.1	3.3%	-0.6%
7	91.0	-1.8%	-0.4%
8	97.0	0.2%	-1.1%
9	92.8	-0.5%	3.6%
10	88.3	1.0%	7.0%
11	87.1	3.8%	7.8%
12	87.6	6.5%	-0.3%
13	89.3	3.6%	-6.3%
14	86.1	4.5%	-9.1%
15	91.6	-1.9%	-3.1%
16	83.8	-1.5%	-11.2%

PROJECT	FIXTURE TYPE	DATE
---------	--------------	------