



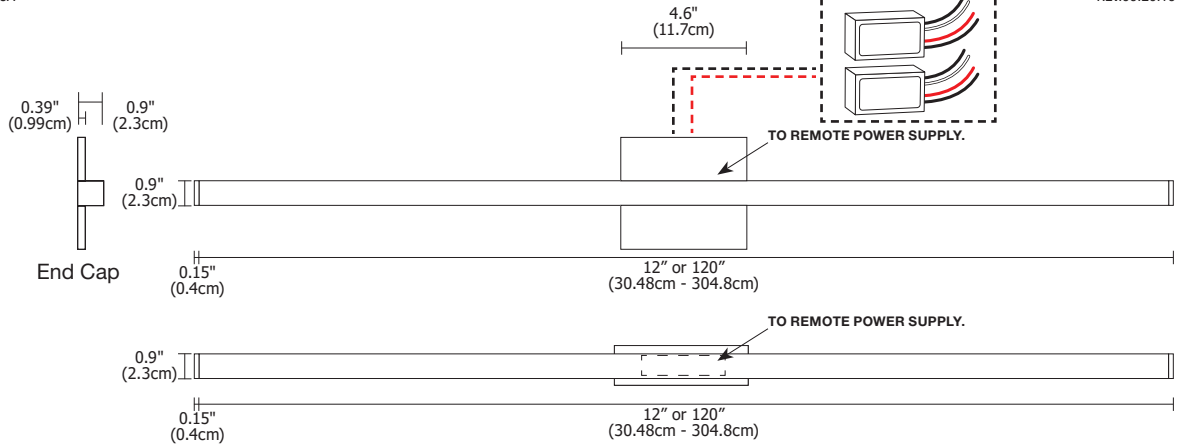
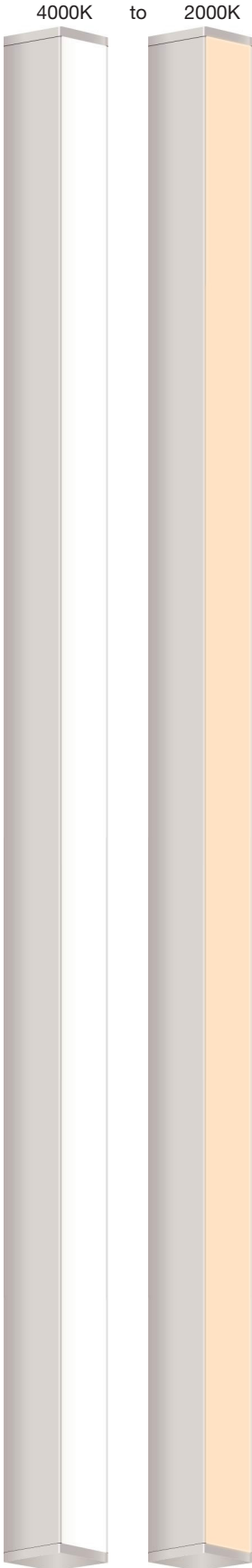
TWIGGY D1 HINGED

DIRECT 1" LENS VANITY - TUNABLE WHITE WITH REMOTE 24VDC POWER SUPPLY



DESIGNED BY GREGORY KAY | ASSEMBLED IN AMERICA

REV.09.20.19



DESCRIPTION

Twiggy D1 Hinged Tunable White vanity by PureEdge Lighting features an adjustable direct 1" milky White Diffuser Lens that provides uniform, Tunable White light. At 5 watts per foot, the 24VDC Vanity contains commercial-grade, 90+ CRI white LEDs ranging from 2000K-4000K. The Soft Strip can be controlled to operate at either 2000K-4000K, or any color temperature in between. Twiggy D1 is available in various increments from 12" up to 120". May be custom ordered in 3", 5", 8", or 10" increments. It may be ordered with a 4" Square Floating Canopy or 1" rectangular Floating Slim-Profile Junction Box. The system is powered by Dual Remote 24VDC Universal Power Supplies and can be controlled with a variety of dimmers or controls (Sold Separately). Fixture includes a 5 year prorated warranty.

FINISH



3D FILES:

[3D Warehouse](#)

APPLICATION (INDOOR ONLY)

Bathroom Vanity, Architectural Lighting, Task Lighting, General Lighting, Cove, Retail, and Closets

LAMP

The average LED Life is 50,000 hours.

LED	CRI	POWER PER FOOT (WATTS)	TOTAL OUTPUT, LUMENS PER WATT	TOTAL OUTPUT, LUMENS PER FOOT
TUNABLE WHITE* 3000K	90+	5W	80	384
2000K	90+	2.5W	71	170
4000K	90+	2.5W	95	227

*When both the 2000K & 4000K Soft Strips are on at full power, light output equals 3000K

REMOTE POWER SUPPLIES*, DIMMERS & CONTROLS (SOLD SEPARATELY)

- **TRIAC Dimming:** Single Pole Dual Dimming with dual remote universal power supplies with Lutron skylark controller (sold separately)
- **ELV Dimming:** Dual ELV dimming with dual ELV remote power supplies. Two ELV dimmers required (sold separately)
- **0-10V Dimming:** Dual 0-10v dimming with dual universal remote power supplies. Two 0-10v dimmers required (sold separately)
- **Dynamic Color Changing (DMX)**
- **Lutron Hi-lume**

Product: **TWH2** (Twiggy Hinged Vanity 24VDC) - Lens: **D1** (Direct 1") - Canopy: **1RE** (1" Rectangle with Junction Box (with Remote Power Supply) / 4" Square Canopy) - Length in Inches: **12IN** (12" - 120" With power or remote power (power supplies sold separately)) - Color Temperature: **2K4K** (2000K-4000K Tunable White) - Finish: **SA** (Satin Aluminum)

*May be custom ordered in 3", 5", 8" or 10" increments. See p. 2 for actual lengths.

PROJECT	FIXTURE TYPE	DATE
---------	--------------	------



TWIGGY D1 HINGED

DIRECT 1" LENS VANITY - TUNABLE WHITE WITH REMOTE 24VDC POWER SUPPLY

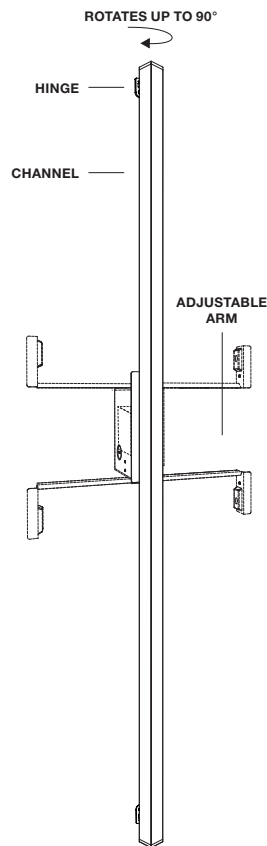


DESIGNED BY GREGORY KAY | ASSEMBLED IN AMERICA

REV.09.20.19

LENGTH CHART Please refer to chart below for overall length (with End Caps) for Twiggy D1 Hinged Vanity

Ordering Code	Overall Length (Inches)	Wattage	Ordering Code	Overall Length (Inches)	Wattage
12IN	13.1	5	68IN	68.3	29
15IN	15.5	7	70IN	70.7	30
17IN	17.9	8	72IN	73.1	31
20IN	20.3	9	75IN	75.5	32
22IN	22.7	10	77IN	77.9	33
24IN	25.1	11	80IN	80.3	34
27IN	27.5	12	82IN	82.7	35
29IN	29.9	13	84IN	85.1	36
32IN	32.3	14	87IN	87.5	37
34IN	34.7	15	89IN	89.9	38
36IN	37.1	16	92IN	92.3	39
39IN	39.5	17	94IN	94.7	40
41IN	41.9	18	96IN	97.1	41
44IN	44.3	19	99IN	99.5	42
46IN	46.7	20	101IN	101.9	43
48IN	49.1	21	104IN	104.3	44
51IN	51.5	22	106IN	106.7	45
53IN	53.9	23	108IN	109.1	46
56IN	56.3	24	111IN	111.5	47
58IN	58.7	25	113IN	113.9	48
60IN	61.1	26	116IN	116.3	49
63IN	63.5	27	118IN	118.7	50
65IN	65.9	28	120IN	121.1	50

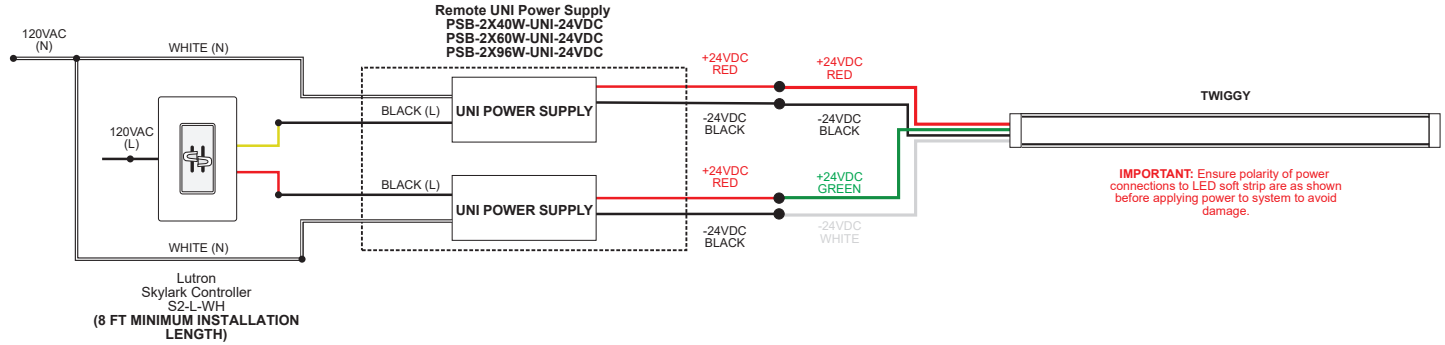


PROJECT		FIXTURE TYPE		DATE	
---------	--	--------------	--	------	--

- TRIAC Dimming:** Single pole dimming with dual remote universal power supplies with Lutron skylark controller (sold separately)
- ELV Dimming:** Dual ELV dimming with dual ELV remote power supplies. Two ELV dimmers required (sold separately)
- 0-10V Dimming:** Dual 0-10v dimming with dual universal remote power supplies. Two 0-10v dimmers required (sold separately)
- Power Supply:** Remote, class 2, 24VDC output: 120vac input | Configuration 1: PSB-2x96W-UNI-24VDC with Remote Power Supply with Lutron Skylark Controller | Configuration 2: PSB-2x60w-ELV-24VDC Dual ELV Dimmers | Configuration 3: PSB-2x96w-UNI-24VDC with Dual 0-10V Dimming
- Dimming :** Dimmable with Dual ELV Dimmers, Dual 0-10V Dimmers, Single Pole DMX, Single Pole TRIAC.

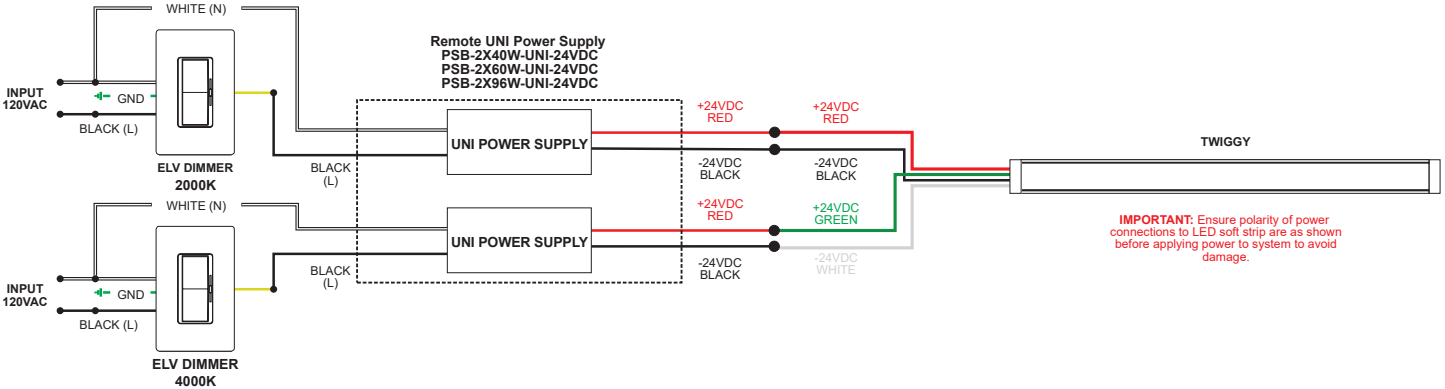
Configuration 1

S2-L-WH (TRIAC) Single Pole Dimming with Dual Universal Power Supplies



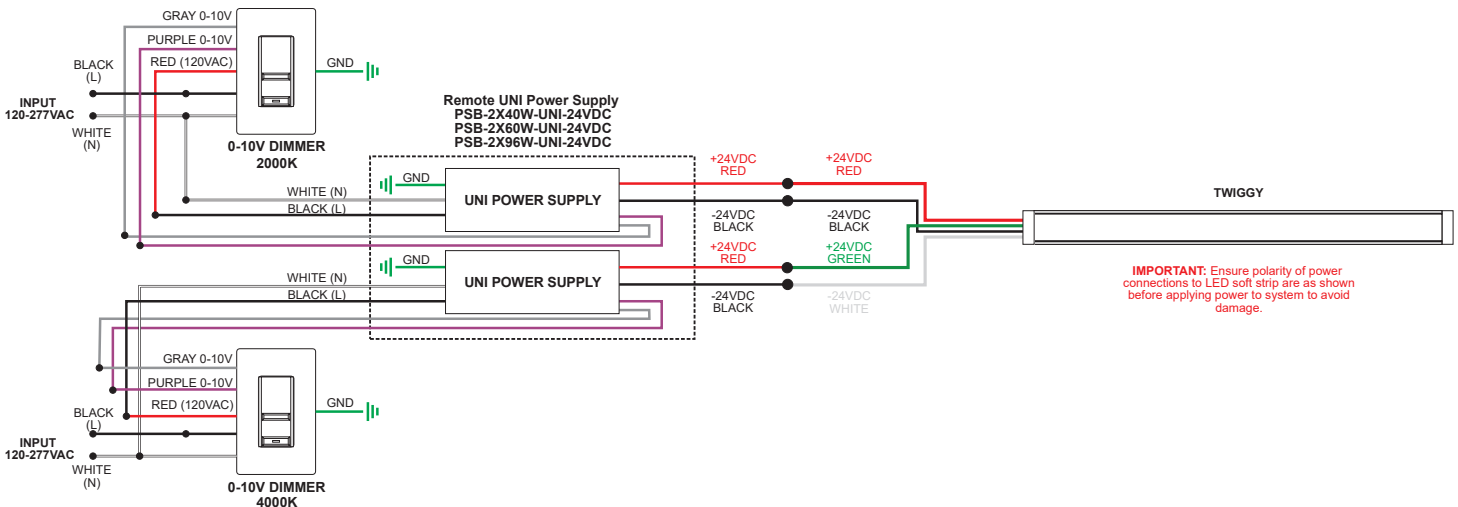
Configuration 2

Dual Power Supplies controlled via individual ELV Dimmers



Configuration 3

Dual Power Supplies controlled via individual 0-10 Dimmers



PROJECT	FIXTURE TYPE	DATE



TWIGGY D1 HINGED

DIRECT 1" LENS VANITY - TUNABLE WHITE WITH REMOTE 24VDC POWER SUPPLY



DESIGNED BY GREGORY KAY | ASSEMBLED IN AMERICA

REV.09.20.19



DESCRIPTION

The Tunable White Touch Controller is a full-touch controller that offers fast and accurate color temperature adjustment and independent brightness dimming of a single zone. Designed for Tunable White and Dual-Color LED installations, this controller adjusts color temperature and brightness for warm and cool white LEDs. It also saves three preset scenes. Independent smooth dimming with a 256 level brightness adjustment enables the DMX controller to achieve many colors within the full LED spectrum. Controller includes a Power Adapter that fits in Junction Box (not included) behind the controller. It contains an illuminated back light when powered off.

DIMENSIONS:

Control Interface - 4.72" x 2.95"
Total Depth W/faceplate - 2.91"
J-Box Height - 3.87"

APPLICATIONS

Indoor

INSTALLATION

Fits in a single gang 2.5" deep Junction Box, not to be used with a Multi-Gang Box

POWER INPUT

120/277VAC

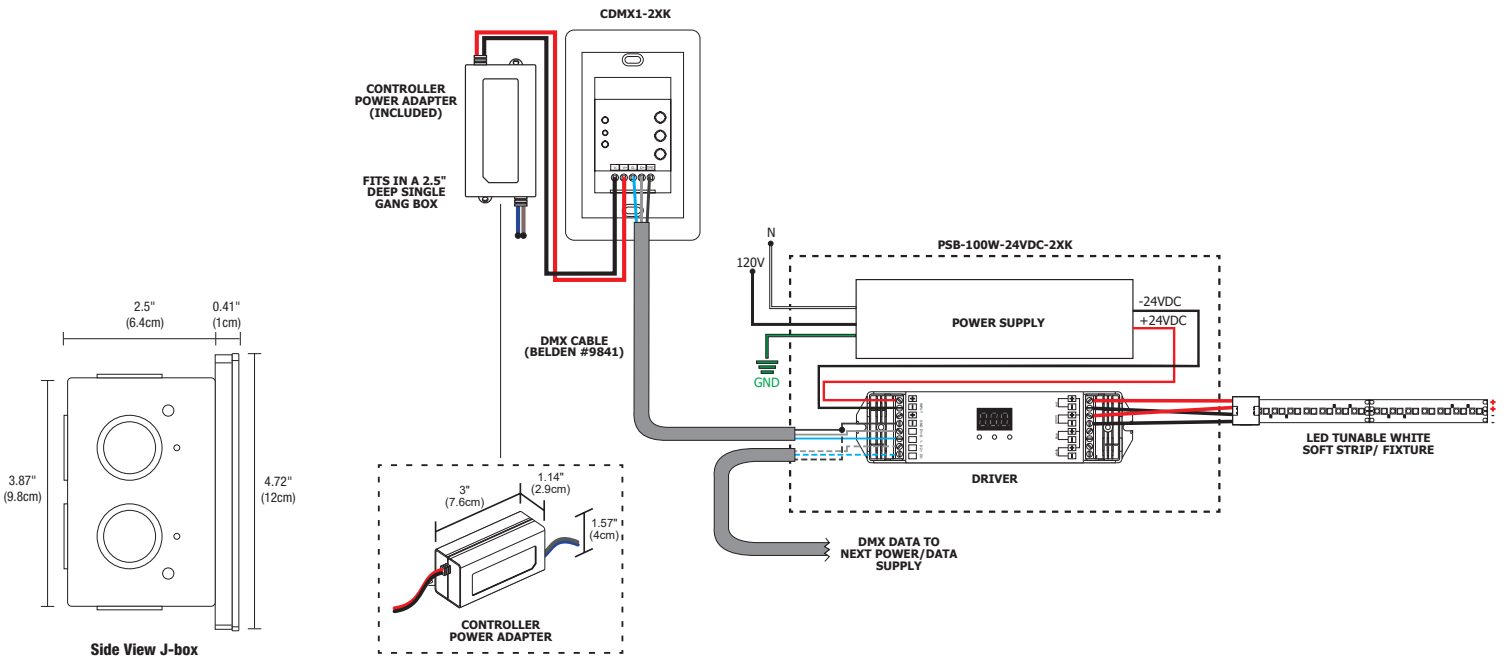
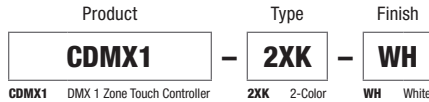
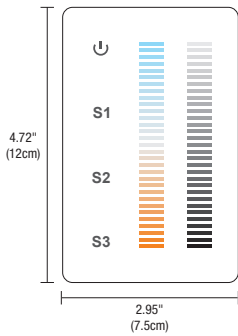
COMPATIBLE POWER SUPPLIES

(SOLD SEPARATELY)

- PSB-100W-24VDC-2XK 100W output, 120/277V Input (12.2" wide x 6.5" high x 2.2" deep)
- PSB-2X100W-24VDC-2XK 2x100W output, 120/277V Input (14" wide x 10" high x 3" deep)
- PSB-3X100W-24VDC-2XK 3x100W output, 120/277V Input (17" wide x 13" high x 3" deep)
- PSB-4X100W-24VDC-2XK 4x100W output, 120/277V Input (17" wide x 13" high x 3" deep)

OUTPUT SIGNAL

USITT DMX 512 (1990)



PROJECT	FIXTURE TYPE	DATE
---------	--------------	------



TWIGGY D1 HINGED





DIRECT 1" LENS VANITY - TUNABLE WHITE WITH REMOTE 24VDC POWER SUPPLY



DESIGNED BY GREGORY KAY | ASSEMBLED IN AMERICA

REV.09.20.19

Compatible Indoor Solid State Constant Voltage Power Supplies

UNI POWER SUPPLIES & RECOMMENDED DIMMERS†				
ORDERING CODE	PSB-2X40W-UNI-24VDC	PSB-2X60W-UNI-24VDC	PSB-2X96W-UNI-24VDC	PSB-4X96W-UNI-24VDC
				
SPECIFICATIONS				
MAXIMUM LOAD	2X40W	2X60W	2X96W	4X96W
INPUT VOLTAGE	120-277VAC	120-277VAC	120-277VAC	120-277VAC
OUTPUT VOLTAGE	24VDC	24VDC	24VDC	24VDC
DIMENSIONS	12.15" X 6.48" X 2.18"	12.15" X 6.48" X 2.18"	12.15" X 6.48" X 2.18"	17" X 13" X 3"
CLASSIFICATION	CLASS 2	CLASS 2	CLASS 2	CLASS 2
IN-WALL MOUNTING	PSB-40W-UNI-24VDC-IW	PSB-2X60W-UNI-24VDC-IW	PSB-2X96W-UNI-24VDC-IW	PSB-4X96W-UNI-24VDC-IW
ELV DIMMING & CONTROLS				
LUTRON DIVA: DVELV-300P	•	•	•	•
LUTRON SKYLARK: SELV-300P	•	•	•	•
LUTRON RADIO RA2: RRD-6NA	•	•	•	•
LUTRON MAESTRO: MAELV-600	•	•	•	•
LUTRON SKYLARK S2-L	•	•	•	•
LEGRAND ADORNE: ADTP-703TUM4	•	•	•	•
0-10 DIMMING & CONTROLS				
PHILIPS SUNRISE: SR1200ZTUNV	•	•	•	•
LUTRON DIVA: DVTW-WH	•	•	•	•
LUTRON NOVA T: NTSTV-DV-XX	•	•	•	•
LUTRON GRAFIX EYE QS: QSGRJ-XP	•	•	•	•
LUTRON RADIO RA2: RRD-10ND	•	•	•	•
LEVITON: LEV40050	•	•	•	•
LEVITON IP710-LFZ	•	•	•	•
LEGRAND: ADPD4FBL3P2W4	•	•	•	•

In-Wall Mounting Kits available for select power supplies.

The Solid State Constant Voltage Uni-Power Supply is compatible with most commercially available Dimmers:

Triac Dimmer : (Forward Phase) Typically used for the dimming of Incandescent and Low Voltage Magnetic Transformers

ELV Dimmer : (Reverse Phase) Dimming of Electronic Low Voltage Transformers and Power Supply's used for LED lighting

0-10 Dimmer : Dims the Low Voltage side of a 0-10 volt power supply commonly used in large scale lighting or commercial applications.

The Uni-Power Supply is recommended with any Siemens/Murray brand of arc fault breaker to overcome the issues with tripping the breakers with an ELV LED Low Voltage Drivers.

PROJECT		FIXTURE TYPE		DATE	
---------	--	--------------	--	------	--



TWIGGY D1 HINGED


DIRECT 1" LENS VANITY - TUNABLE WHITE WITH REMOTE 24VDC POWER SUPPLY





DESIGNED BY GREGORY KAY | ASSEMBLED IN AMERICA

REV.09.20.19

REQUIRED COMPONENTS 24VDC ELV Compatible Power Supplies

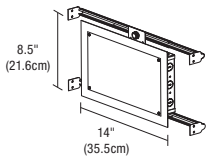
ELECTRONIC LOW-VOLTAGE (ELV) POWER SUPPLIES & RECOMMENDED DIMMERS ^{†‡}	
ORDERING CODE	PSB-2X60W-ELV-24VDC 
	SPECIFICATIONS
MAXIMUM LOAD	2X60W
INPUT VOLTAGE	120VAC
OUTPUT VOLTAGE	24VDC
DIMENSIONS	12.15" X 6.48" X 2.18"
CLASSIFICATION	CLASS 2
IN-WALL MOUNTING	PSB-2X60W-ELV-24VDC-IW
DIMMING & CONTROLS	
LUTRON DIVA: DVELV-300P	•
LUTRON SKYLARK: SELV-300P	•
LUTRON RADIO RA2: RRD-6NA	•
LUTRON MAESTRO: MAELV-600	•
LEGRAND ADORNE: ADTP-703TUM4	•

ELECTRONIC LOW-VOLTAGE (ELV) POWER SUPPLIES & RECOMMENDED DIMMERS ^{†‡}		
ORDERING CODE	PSB-2X100W-ELV-24VDC 	PSB-4X100W-ELV-24VDC 
	SPECIFICATIONS	
MAXIMUM LOAD	2X96W	4X96W
INPUT VOLTAGE	120VAC	120VAC
OUTPUT VOLTAGE	24VDC	24VDC
DIMENSIONS	12.15" X 6.48" X 2.18"	17" X 13" X 3"
CLASSIFICATION	CLASS 2	CLASS 2
IN-WALL MOUNTING	PSB-2X100W-ELV-24VDC-IW	N/A
DIMMING & CONTROLS		
LUTRON DIVA: DVELV-300P	•	•
LUTRON SKYLARK: SELV-300P	•	•
LUTRON RADIO RA2: RRD-6NA	•	•
LUTRON MAESTRO: MAELV-600	•	•
LEGRAND ADORNE: ADTP-703TUM4	•	•

[†]22K - 57K color temperatures are compatible with 0-10V, ELV, and Lutron Hi-lume® Power Supplies. Warm Dim (27D, 30D) color temperatures are only compatible with ELV power supplies. Tunable White (2K4K) color temperature is compatible with 0-10V, ELV, DMX, and Lutron Hi-lume® Power Supplies.

* Electrical Panels using Seimens/Murray AFCI breakers are not compatible with this ELV transformer. Use 0-10 Volt power supply's with this breaker.

With N-Lite Dimming Do Not use ELV power supplies, use only 0-10 volt or Uni drivers power supplies



8.5" X 14" IN-WALL MOUNTING KIT[†]

Includes Power Supply, Box Cover, and Stud Hangers for installing Junction Box in wall. Select "IW" in the options section of compatible Power Supply ordering codes if an In-Wall Mounting Kit is needed.

ORDERING CODES: PSB-2X60W-ELV-24VDC-IW, PSB-2X100W-ELV-24VDC-IW

PROJECT		FIXTURE TYPE		DATE	
---------	--	--------------	--	------	--



TWIGGY D1 HINGED


DIRECT 1" LENS VANITY - TUNABLE WHITE WITH REMOTE 24VDC POWER SUPPLY







DESIGNED BY GREGORY KAY | ASSEMBLED IN AMERICA

REV.09.20.19

REQUIRED COMPONENTS 24VDC Lutron Compatible Power Supply

LUTRON HI-LUME® PREMIER .1% ECOSYSTEM® 3-WIRE POWER SUPPLY & RECOMMENDED CONTROLLERS†	
ORDERING CODE	L3D0-96W24V-U 
SPECIFICATIONS	
MAXIMUM LOAD	96W
INPUT VOLTAGE	120-277VAC
OUTPUT VOLTAGE	24VDC
DIMENSIONS	10.5" X 5.5" X 2"
CLASSIFICATION	CLASS 2
DIMMING & CONTROLS	
RADIO RA2	•
HOMEWORKS QS	•
PHPM-3F-120	•
PHPM-3F-DV	•
BCI-0-10	•

REQUIRED COMPONENTS 24VDC DMX 2XK Tunable White Compatible Power Supplies

DYNAMIC COLOR CHANGING (DMX) POWER SUPPLIES & RECOMMENDED CONTROLLERS†				
ORDERING CODE	PSB-100W-24VDC-2XK 	PSB-2X100W-24VDC-2XK 	PSB-3X100W-24VDC-2XK 	PSB-4X100W-24VDC-2XK 
SPECIFICATIONS				
MAXIMUM LOAD	100W	2X100W	3X100W	4X100W
INPUT VOLTAGE	120-277VAC	120-277VAC	120-277VAC	120-277VAC
OUTPUT VOLTAGE	24VDC	24VDC	24VDC	24VDC
DIMENSIONS	12.14" X 6.48" X 2.18"	14" X 10" X 3"	17" X 13" X 3"	17" X 13" X 3"
CLASSIFICATION	CLASS 2	CLASS 2	CLASS 2	CLASS 2
IN-WALL MOUNTING	PSB-100W-24VDC-2XK-IW	N/A	N/A	N/A
DIMMING & CONTROLS				
TUNABLE WHITE TOUCH CONTROLLER (CDMX1-2XK)	•	•	•	•

PROJECT		FIXTURE TYPE		DATE	
---------	--	--------------	--	------	--



TWIGGY D1 HINGED




DIRECT 1" LENS VANITY - TUNABLE WHITE WITH REMOTE 24VDC POWER SUPPLY



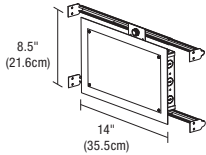
DESIGNED BY GREGORY KAY | ASSEMBLED IN AMERICA

REV.09.20.19

REQUIRED COMPONENTS 24VDC 0-10V Compatible Power Supplies

0-10 VOLT (010) POWER SUPPLIES & RECOMMENDED DIMMERS†			
ORDERING CODE	PSB-2X96W-010-24VDC 	PSB-3X96W-010-24VDC 	PSB-4X96W-010-24VDC 
SPECIFICATIONS			
MAXIMUM LOAD	2X96W	3X96W	4X96W
INPUT VOLTAGE	120-277VAC	120-277VAC	120-277VAC
OUTPUT VOLTAGE	24VDC	24VDC	24VDC
DIMENSIONS	12.15" X 6.48" X 2.18"	14" X 10" X 3"	17" X 13" X 3"
CLASSIFICATION	CLASS 2	CLASS 2	CLASS 2
IN-WALL MOUNTING	PSB-2X96W-010-24VDC-IW	N/A	N/A
DIMMING & CONTROLS			
PHILIPS SUNRISE: SR1200ZTUNV	•	•	•
LUTRON DIVA: DDTV-WH	•	•	•
LUTRON NOVA T: NTSTV-DV-XX	•	•	•
LUTRON GRAFIX EYE QS: QSGR-J-XP	•	•	•
LUTRON RADIO RA2: RRD-10ND	•	•	•
LEVITON: LEV40050	•	•	•
LEVITON IP710-LFZ	•	•	•
LEGRAND: ADPD4FBL3P2W4	•	•	•

Tunable White (2K4K) Color Temperature is compatible with 0-10V, ELV, DMX, and Lutron Hi-lume® Power Supplies.



8.5" X 14" IN-WALL MOUNTING KIT

Includes Power Supply, Box Cover, and Stud Hangers for installing Junction Box in wall. Select "IW" in the options section of compatible Power Supply ordering codes if an In-Wall Mounting Kit is needed.

ORDERING CODES: PSB-2X96W-010-24VDC-IWW

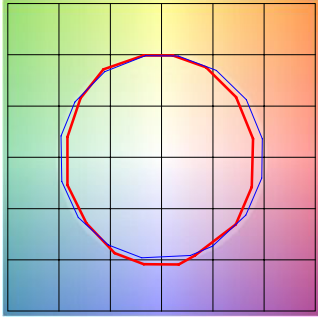
PROJECT	FIXTURE TYPE	DATE
---------	--------------	------

TM-30-15 DATA

The data below is for SS5C bare LED Soft Strips. Consistent color temperatures throughout a single strip and among multiple strips is possible through a 3 phase binning process in which each order is inspected with a color meter to ensure uniformity.

2000K ONLY (2K4K) | Rf: 84.3 | Rg: 96.9

Color Vector Graphic

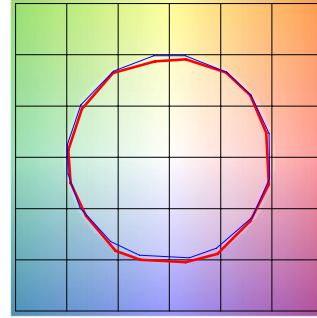


■ Test ■ Reference

GRAPHIC SHIFTS %			
HUE BIN	Rf	CHROMA	HUE
1	80.3	-8.9%	1.7%
2	79.7	-7.0%	7.8%
3	78.9	-2.9%	10.0%
4	89.5	-0.5%	5.1%
5	94.4	0.7%	1.7%
6	92.1	2.4%	-0.3%
7	89.4	-2.4%	-5.9%
8	89.7	-6.4%	-0.2%
9	86.0	-4.9%	4.6%
10	81.8	-3.4%	9.3%
11	83.1	3.3%	9.7%
12	85.8	5.6%	3.3%
13	85.6	6.2%	-12.8%
14	61.7	-1.9%	-19.0%
15	79.7	-3.3%	-12.9%
16	78.1	-7.9%	-10.6%

4000K ONLY (2K4K) | Rf: 89.6 | Rg: 99.1

Color Vector Graphic

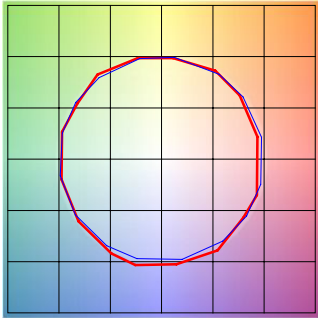


■ Test ■ Reference

GRAPHIC SHIFTS %			
HUE BIN	Rf	CHROMA	HUE
1	91.3	-2.5%	1.0%
2	95.3	-0.5%	0.5%
3	94.3	-0.7%	1.1%
4	91.1	-3.4%	-1.1%
5	89.5	-5.6%	0.0%
6	94.6	-1.4%	1.3%
7	93.2	-3.0%	2.6%
8	91.3	-1.8%	4.6%
9	86.5	-0.9%	9.1%
10	83.3	-0.5%	9.5%
11	83.3	4.9%	9.0%
12	89.7	4.1%	1.7%
13	90.1	3.6%	-4.3%
14	93.4	5.2%	-2.1%
15	87.4	0.4%	-4.3%
16	86.6	0.4%	-6.1%

2K4K (3000K) | Rf: 90.2 | Rg: 101.4

Color Vector Graphic



■ Test ■ Reference

GRAPHIC SHIFTS %			
HUE BIN	Rf	CHROMA	HUE
1	90.9	-3.8%	1.3%
2	91.7	-1.9%	3.3%
3	88.7	0.7%	5.1%
4	92.4	-1.0%	0.7%
5	92.9	0.9%	1.7%
6	93.1	3.3%	-0.6%
7	91.0	-1.8%	-0.4%
8	97.0	0.2%	-1.1%
9	92.8	-0.5%	3.6%
10	88.3	1.0%	7.0%
11	87.1	3.8%	7.8%
12	87.6	6.5%	-0.3%
13	89.3	3.6%	-6.3%
14	86.1	4.5%	-9.1%
15	91.6	-1.9%	-3.1%
16	83.8	-1.5%	-11.2%

PROJECT	FIXTURE TYPE	DATE
---------	--------------	------