



1718 W. Fullerton Chicago, IL 60614  
 Ph: 773.770.1195 • Fax: 773.935.5613  
 www.PureEdgeLighting.com • info@PureEdgeLighting.com  
 © 2016 PureEdge Lighting. All Rights Reserved.

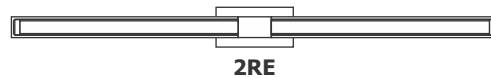
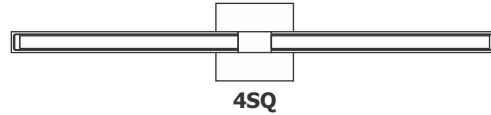
## Installation Instructions for Tie Stix Wall 2-Light Adjustable

TXW2A-\_-\_-

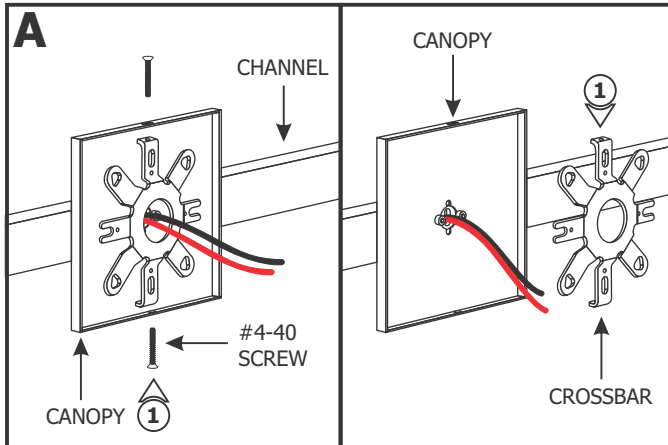
### IMPORTANT INFORMATION

- This product is ETL listed.
- This instruction shows a typical installation.
- This product is wall mount only.
- This product is dimmable with a low-voltage electronic dimmer.
- The 4SQ version mounts to a standard junction box with plaster ring or octagon box.
- The 1RE version mounts to the provided Slim Profile Junction Box.
- The 2RE version mounts to a single gang box.

**SAVE THESE INSTRUCTIONS!**

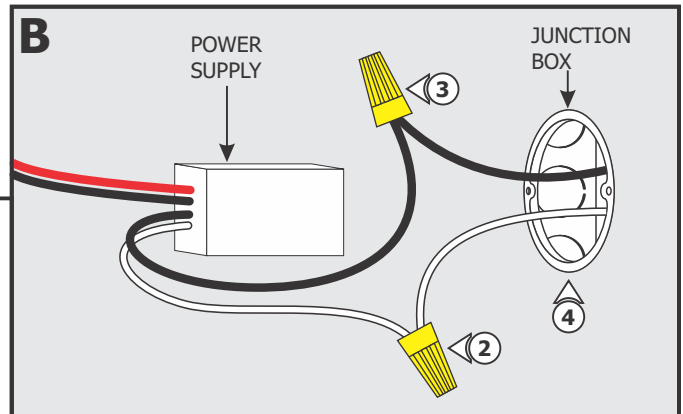


### Section One: 4SQ Version

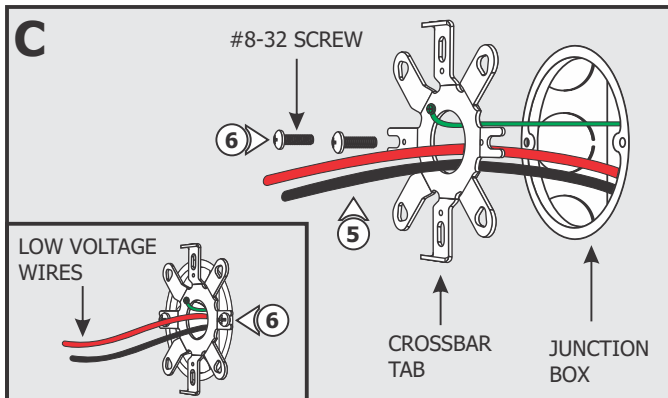


**NOTE:** Before beginning any electrical work, ensure that the power to the junction box is off.

- 1:** Remove the two #4-40 screws from the canopy using a 1/16" Allen wrench to remove the crossbar.

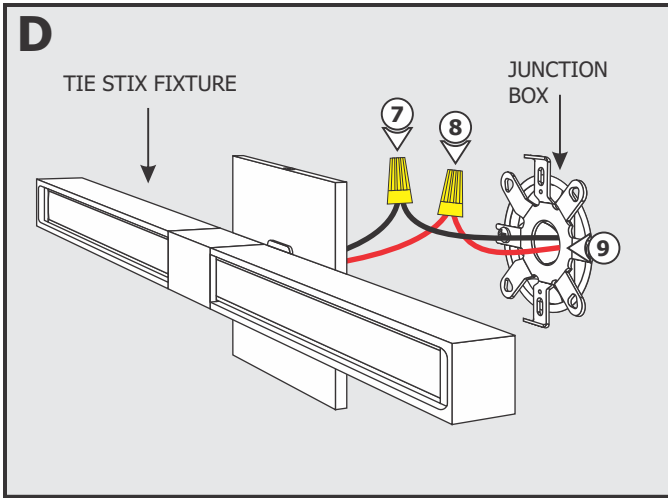


- 2:** Connect the neutral wire from the 120VAC circuit to the white wire of the power supply using a wire nut.
- 3:** Connect the hot wire from the 120VAC circuit to the black wire of the power supply using a wire nut.
- 4:** Place the power supply and wires inside the junction box.



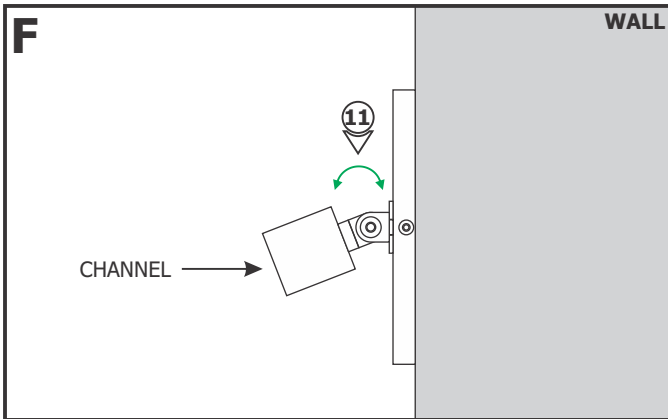
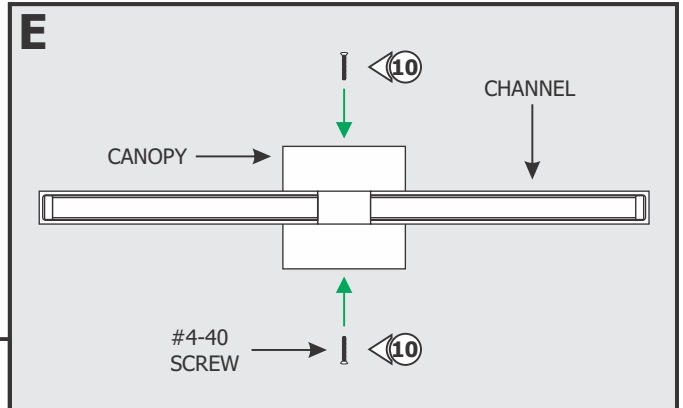
- 5:** Feed the low voltage wires from the power supply through the crossbar center hole.
- 6:** Align the crossbar tabs vertically and mount the cross bar to the junction box holes with the two #8-32 screws provided.

**NOTE:** Make sure the crossbar is grounded in accordance to local electrical codes.



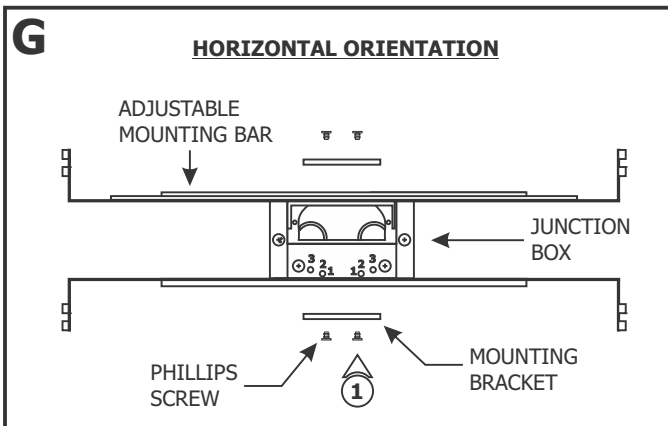
- 7:** Connect the low voltage -24VDC black wire from the power supply to the -24VDC black wire from the fixture using a wire nut.
- 8:** Connect the low voltage +24VDC red wire from the power supply to the +24VDC red wire from the fixture using a wire nut.
- 9:** Place all the wires and wire nut connections inside the junction box.

**10:** Place the fixture against the crossbar and secure it with the provided #4-40 screws using a 1/16" Allen wrench.



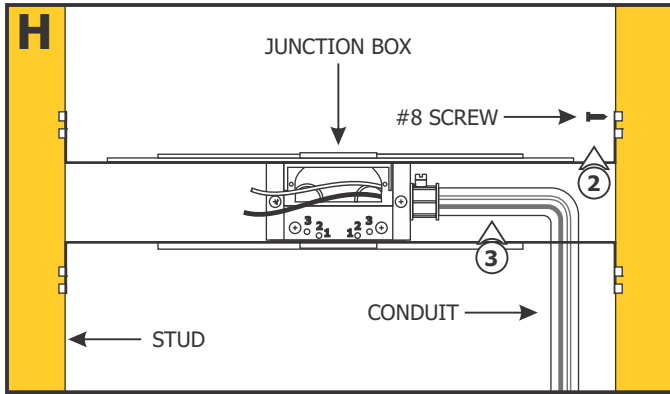
**11:** If necessary, adjust the angle of the fixture by rotating the channel vertically.

## Section Two: 1RE Version



**NOTE:** Before beginning any electrical work, ensure that the power to the electrical box is off.

**1:** Mount each adjustable mounting bar to one side of the junction box and secure them with the provided mounting brackets and two Phillips screws.

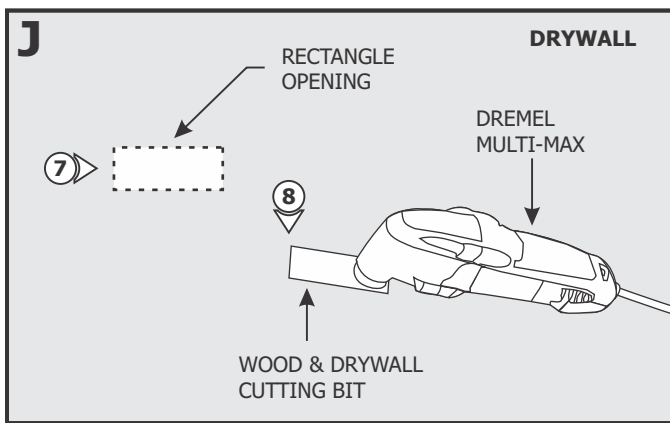
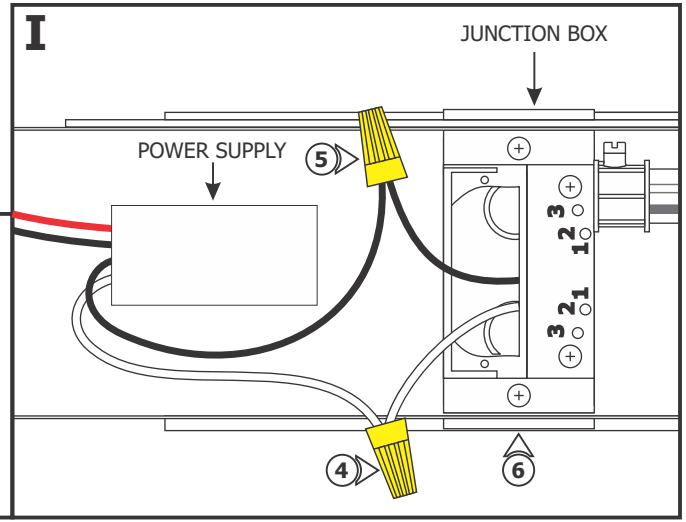


**NOTE:** The adjustable mounting bars mount to studs that are spaced 13" to 24" apart.

- 2:** Place the lips on the adjustable mounting bars against the studs. Secure the adjustable bars to the studs with the #8 screws.
- 3:** Remove a knockout on the junction box to install the conduit (if required by local electrical code) and run the 120V power wires to the junction box.

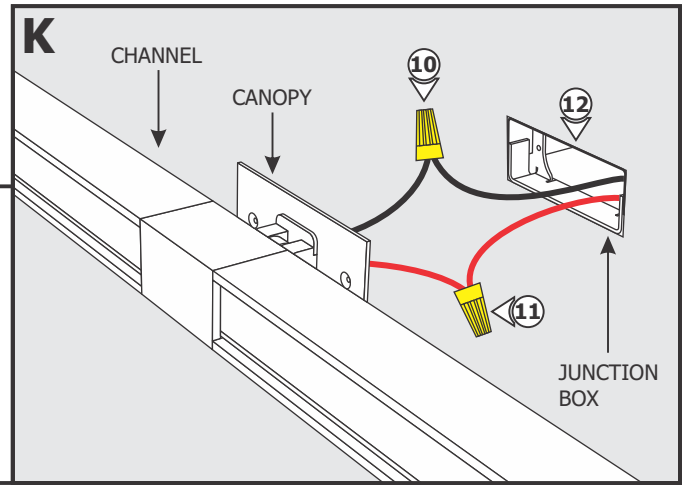
**NOTE:** Make sure the junction box is grounded in accordance to local electrical codes.

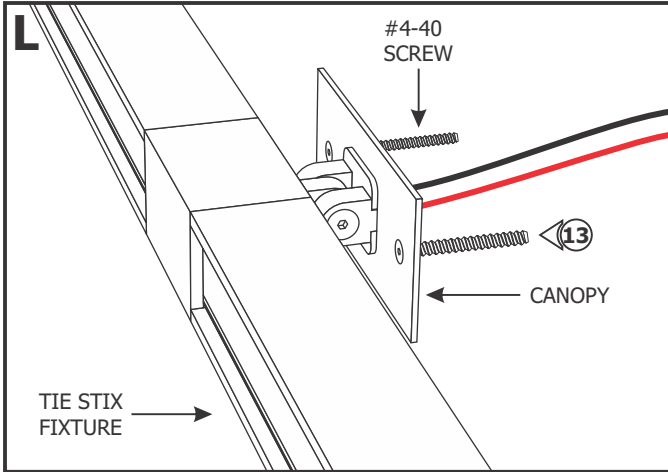
- 4:** Connect the neutral wire from the 120VAC circuit to the white wire of the power supply using a wire nut.
- 5:** Connect the hot wire from the 120VAC circuit to the black wire of the power supply using a wire nut.
- 6:** Place the power supply and wires inside the junction box.



- 7:** Mark the rectangular junction box opening shape on the drywall where the junction box will be located.
- 8:** Cut out the marked rectangle opening, using a "Dremel Multi-Max" with the "wood & drywall" cutting bit.
- 9:** Install the drywall and plaster around the junction box. Sand and then paint.

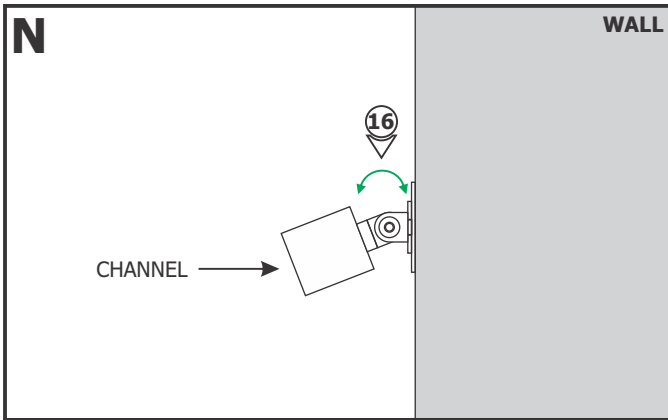
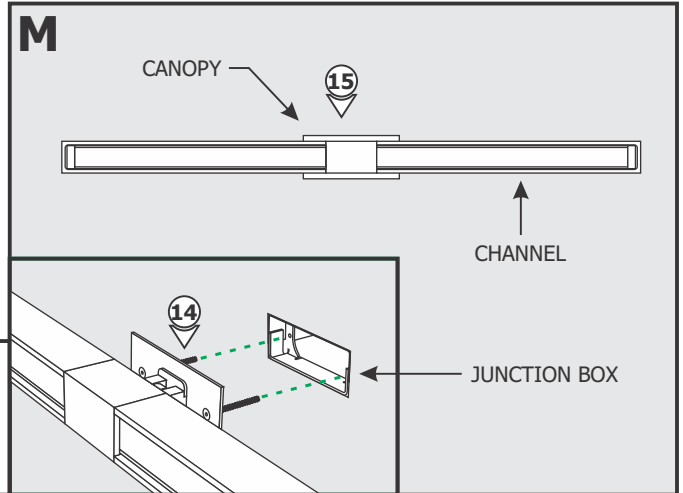
- 10:** Connect the low voltage -24VDC black wire from the power supply to the -24VDC black wire from the fixture using a wire nut.
- 11:** Connect the low voltage +24VDC red wire from the power supply to the +24VDC red wire from the fixture using a wire nut.
- 12:** Place all the wires and wire connections inside the junction box.





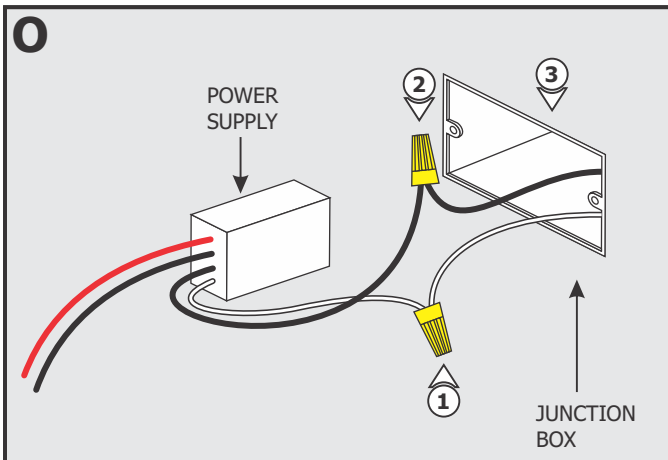
**13:** Insert the two provided #4-40 screws through the canopy holes.

- 14:** Align the screws on the canopy with the junction box holes.
- 15:** Secure the fixture to the junction box by tightening the two #4-40 screws using a 1/16" Allen wrench.



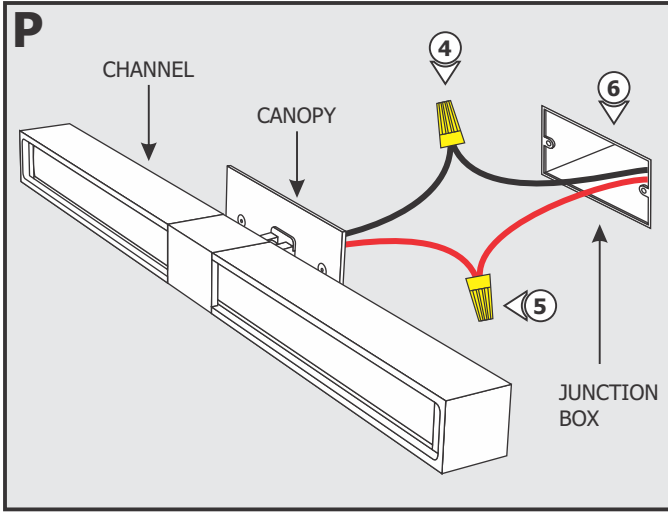
**16:** If necessary, adjust the angle of the fixture by rotating the channel vertically.

### Section Three: 2RE Version

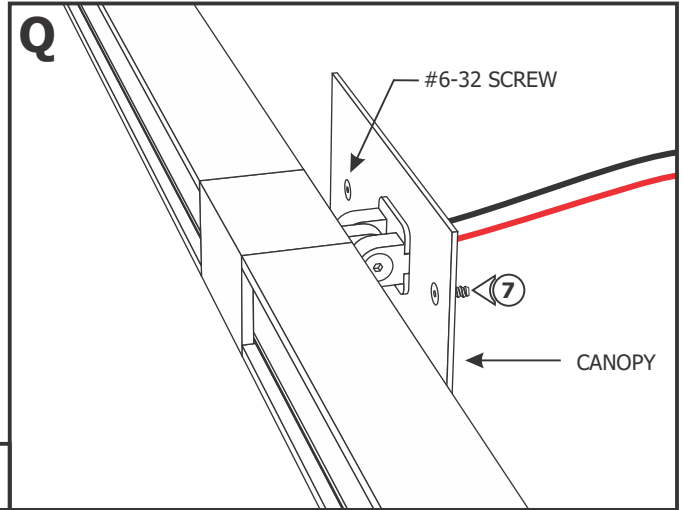


**NOTE:** Ensure single gang box is oriented horizontally.

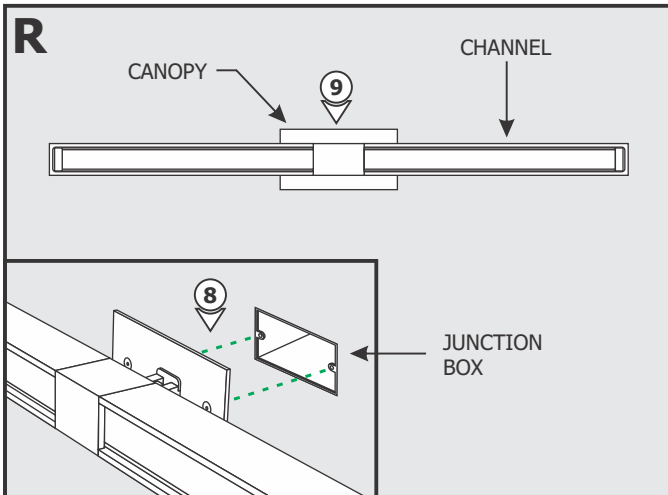
- 1:** Connect the neutral wire from the 120VAC circuit to the white wire of the power supply using a wire nut.
- 2:** Connect the hot wire from the 120VAC circuit to the black wire of the power supply using a wire nut.
- 3:** Place the power supply and wires inside the junction box.



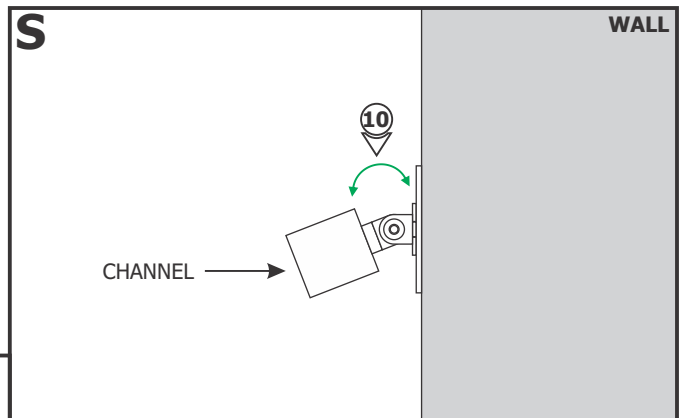
- 4:** Connect the low voltage -24VDC black wire from the power supply to the -24VDC black wire from the fixture using a wire nut.
- 5:** Connect the low voltage +24VDC red wire from the power supply to the +24VDC red wire from the fixture using a wire nut.
- 6:** Place all the wires and wire connections inside the junction box.



- 7:** Insert the two provided #6-32 screws through the canopy holes.



- 8:** Align the screws on the canopy with the junction box holes.
- 9:** Secure the fixture to the junction box by tightening the two #6-32 screws using a 5/64" Allen wrench.



- 10:** If necessary, adjust the angle of the fixture by rotating the channel vertically.