

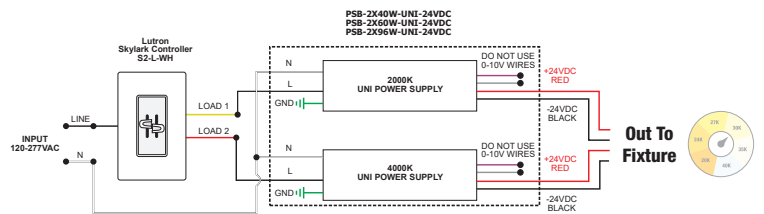
UNIVERSAL POWER SUPPLIES & RECOMMENDED DIMMERS†				
ORDERING CODE	PSB-2X40W-UNI-24VDC	PSB-2X60W-UNI-24VDC	PSB-2X96W-UNI-24VDC	PSB-4X96W-UNI-24VDC
<b>SPECIFICATIONS</b>				
<b>MAXIMUM LOAD</b>	2X40W	2X60W	2X96W	4X96W
<b>INPUT VOLTAGE</b>	120-277VAC	120-277VAC	120-277VAC	120-277VAC
<b>OUTPUT VOLTAGE</b>	24VDC	24VDC	24VDC	24VDC
<b>DIMENSIONS</b>	12.15" X 6.48" X 2.18"	12.15" X 6.48" X 2.18"	12.15" X 6.48" X 2.18"	17" X 13" X 3"
<b>CLASSIFICATION</b>	CLASS 2	CLASS 2	CLASS 2	CLASS 2
<b>IN-WALL MOUNTING</b>	PSB-2X40W-UNI-24VDC-IW	PSB-2X60W-UNI-24VDC-IW	PSB-2X96W-UNI-24VDC-IW	NA
<b>ELV DIMMING &amp; CONTROLS</b>				
<b>LUTRON DIVA: DVELV-300P</b>	•	•	•	•
<b>LUTRON SKYLARK: SELV-300P</b>	•	•	•	•
<b>LUTRON RADIO RA2: RRD-6NA</b>	•	•	•	•
<b>LUTRON MAESTRO: MAELV-600</b>	•	•	•	•
<b>LEGRAND ADORNE: ADTP-703TUM4</b>	•	•	•	•
<b>0-10 DIMMING &amp; CONTROLS</b>				
<b>PHILIPS SUNRISE: SR1200ZTUNV</b>	•	•	•	•
<b>LUTRON DIVA: DVTW-WH, DVSTV-WH</b>	•	•	•	•
<b>LUTRON NOVA T: NTSTV-DV-XX</b>	•	•	•	•
<b>LUTRON GRAFIK EYE QS: QSGRJ-XP</b>	•	•	•	•
<b>LUTRON RADIO RA2: RRD-10ND</b>	•	•	•	•
<b>LEVITON: LEV40050</b>	•	•	•	•
<b>LEVITON IP710-LFZ</b>	•	•	•	•
<b>LEGRAND: ADPD4FBL3P2W4</b>	•	•	•	•
<b>TRIAC DIMMING &amp; CONTROLS</b>				
<b>LUTRON SKYLARK: S2-L-WH</b>	•	•	•	•
<b>LUTRON DVLV-600P-WH</b>	•	•	•	•
<b>LUTRON DVLV-603P-WH</b>	•	•	•	•
<b>LUTRON MALV-600-WH</b>	•	•	•	•
<b>LUTRON MALV-1000-WH</b>	•	•	•	•
<b>LUTRON MA-R-XX</b>	•	•	•	•

- Flicker free dimming
- Aluminum casing for optimal heat dissipation
- Isolated output power per NEC and UL safety requirements
- UL & ETL recognized/ listed, meets UL 8750, 1310 requirements
- Auto-reset: short circuit, overload and thermal protection
- Class 2 power supply
- Efficient, High power factor > 0.90

- The Solid State Constant Voltage Uni-Power Supply is compatible with most commercially available Dimmers:
  - Triac Dimmer: (Forward Phase) Typically used for the dimming of Incandescent and Low Voltage Magnetic Transformers
  - ELV Dimmer: (Reverse Phase) Dimming of Electronic Low Voltage Transformers and Power Supply's used for LED lighting
  - 0-10 Dimmer: Dims the Low Voltage side of a 0-10 volt power supply commonly used in large scale lighting or commercial applications.
- The Uni-Power Supply is recommended with any Siemens/Murray brand of arc fault breaker to overcome the issues with tripping the breakers with an ELV LED Low Voltage Drivers.

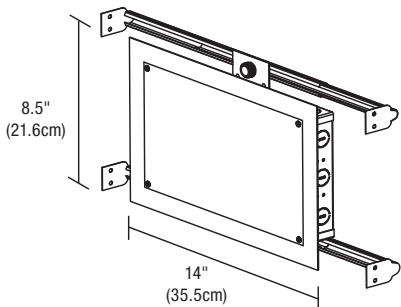
**MAXIMUM LENGTH**

POWER SUPPLY	5 WATTS	10 WATTS
PSB-2X40W-UNI-24VDC	8 FEET	4 FEET
PSB-2X60W-UNI-24VDC	12 FEET	6 FEET
PSB-2X96W-UNI-24VDC	20 FEET	10 FEET



**Configuration 1**  
 S2-L-WH (TRIAC) Single Pole Dimming with Dual Universal Power Supplies

**IN WALL MOUNTING OPTIONS**



**In-Wall Mounting Kit:** Includes power supply, box cover and stud hangers for installing Junction Box in wall. Select "IW" in the options section of compatible power supply ordering codes if an In-Wall Mounting Kit is needed.

**Ordering Codes 8.5 x 14.25 inch:** PSB-2X40W-UNI-24VDC-IW, PSB-2X60W-UNI-24VDC-IW, PSB-2X96W-UNI-24VDC-IW