



1718 W. Fullerton Chicago, IL 60614  
 Ph: 773.770.1195 • Fax: 773.935.5613  
 www.PureEdgeLighting.com • info@PureEdgeLighting.com  
 © 2016 PureEdge Lighting. All Rights Reserved.

## Installation Instructions for Verge Wall 24VDC

### IMPORTANT INFORMATION

- This instruction shows a typical installation.

**SAVE THESE INSTRUCTIONS!**



### Horizontal Channel Installation

**A** HORIZONTAL ORIENTATION

VERTICAL ORIENTATION

**1:** Mount each adjustable mounting bar to one side of the junction box (mounts to any side of the housing depending on the orientation of the channel) and secure them with the mounting brackets and two Phillips screws provided.

**B**

**NOTE:** The adjustable mounting bars mount to studs that are spaced 13" to 24" apart.

**NOTE:** Junction box must be installed 4" from the ceiling or wall when using the provided back plate.

**2:** Select the location between the two studs for the junction box to be mounted.

**3:** Place the adjustable mounting bars between the studs.

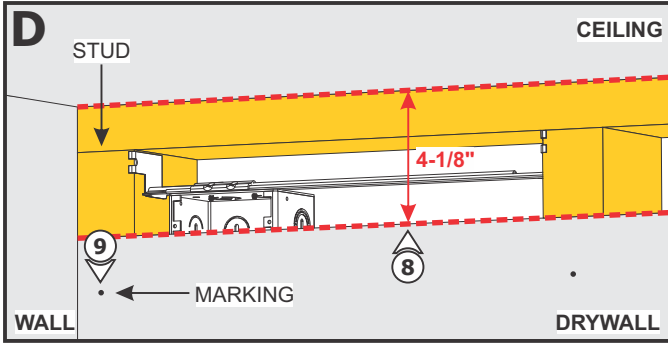
**4:** Make sure the lips on the adjustable mounting bars are against the studs. Secure the adjustable bars to the studs with the eight #8 screws.

**5:** Remove a knockout to install the power line conduit.

**6:** Install the conduit and run the low voltage 24V DC power wires coming from the remote power supply to the junction box.

**7:** Refer to the instruction provided with the power supply along with the wiring diagram for proper wiring.

**C**



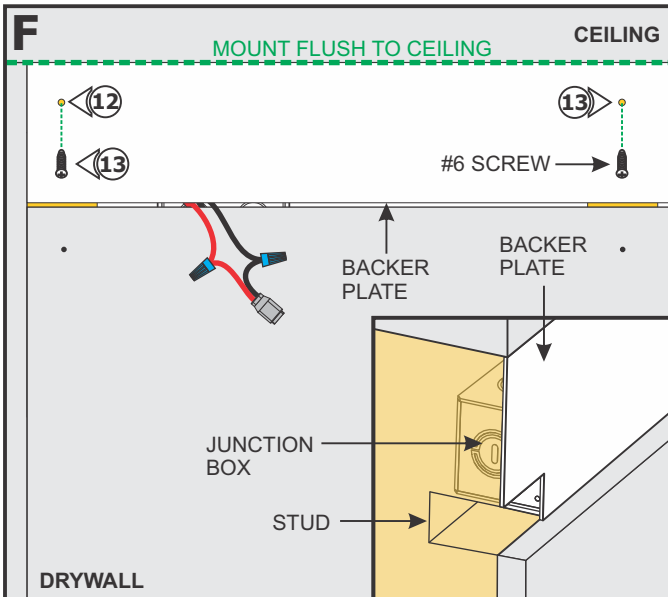
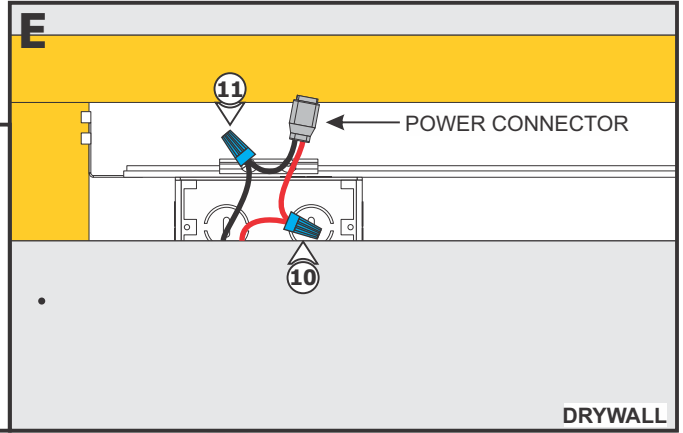
8: Cut the drywall 4-1/8" from the ceiling (or adjacent wall.)

9: Mount the drywall to the studs. Mark the stud locations on the drywall.

**CAUTION:** Unroll the entire LED strip from the reel and use the power connector to power the strip making sure there is no outage before continuing with the installation. Afterwards, carefully roll the LED strip loosely back into the reel.

10: Connect the red 24VDC power supply wire to the red power connector wire. Connect the black 24VDC power supply wire to the black power connector wire.

11: Place the wire nut connections into the junction box, leaving the power connector free.

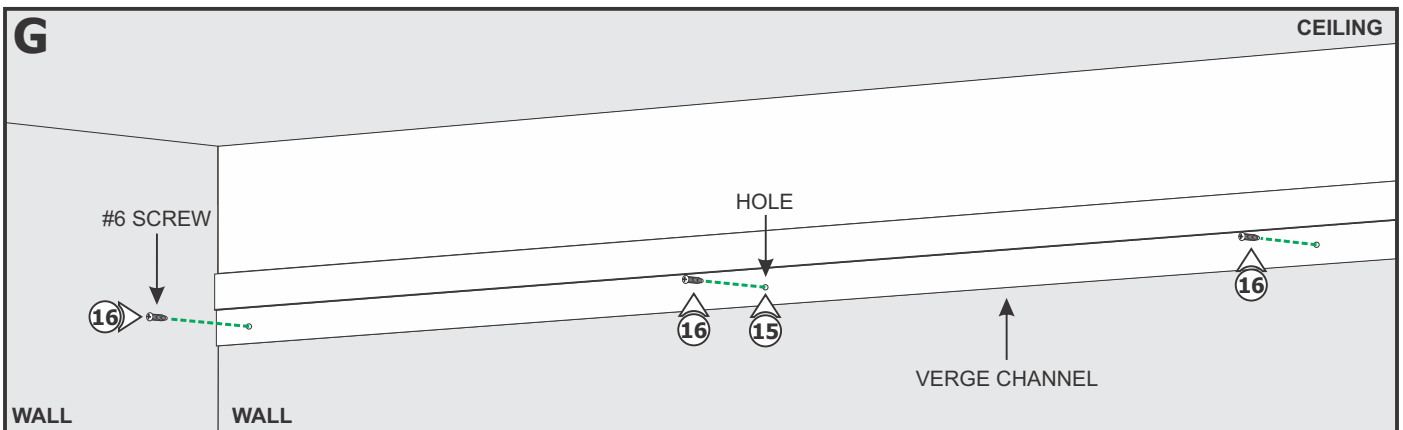


**CAUTION!** It may be necessary to remove material from the stud, backer plate, Verge channel, or lens to route power to the installation. Consult installation design when considering routing power (see inset).

12: Using the mark locations on the drywall, carefully make a hole to the backplate using the provided square drill with counter sink bit. Ensure the top edge of the backer plate is flush with the ceiling.

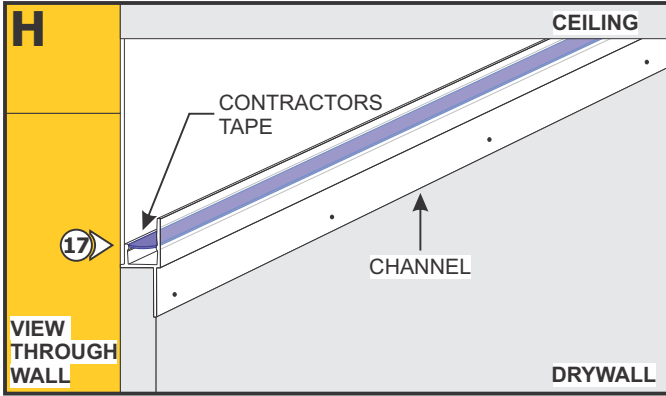
13: Secure the backer plate to the studs with the #6 screws using the provided square recess bit.

14: Sand, prime and paint the backer plate and screws before continuing. For best results, use matte paint.



15: Using the mark locations on the drywall, carefully make a hole to the Verge Channel using the provided square drill with counter sink bit.

16: Secure the channel to the drywall with the #6 screws using the provided square recess bit. Suggested screw spacing is 6".



17: Cover up the opening section of the Verge with blue contractors tape to prevent plaster and dust entering inside the channel.

**NOTE:** Cover the channel opening with contractor's tape before plastering.

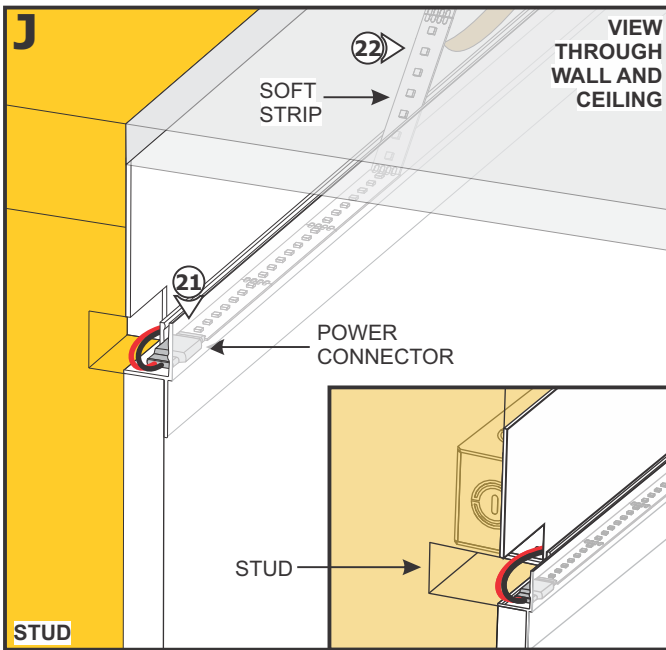
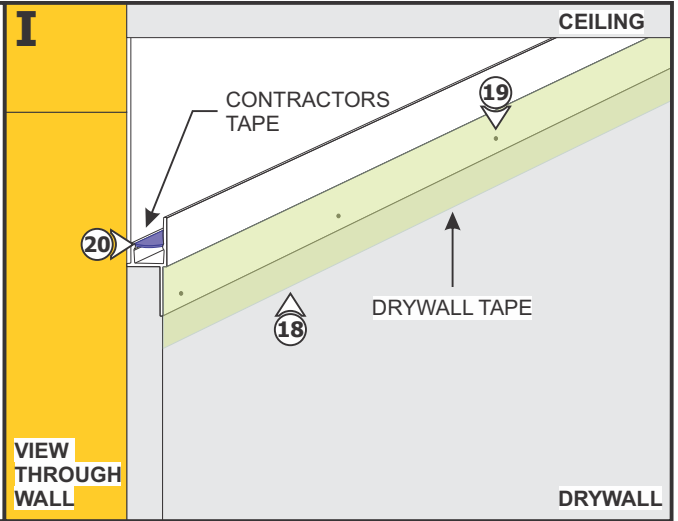
**NOTE:** For areas with lots of vibration, it is suggested to use Durabond to avoid cracking of plaster.

**NOTE:** Do Not use premixed joint compound "Soft Mud". No use compuesto para juntas premezclado "Soft Mud".

18: Must apply drywall tape (Ultra-Thin drywall tape suggested) along edges of channel to prevent cracking of plaster after installation. **DO NOT** overlap strips of drywall tape.

19: Plaster the channel flange edge to the wall & fill screw holes (highlighted in green). Finish the wall properly.

20: Remove the blue contractor tape & clean the inside of the channel.



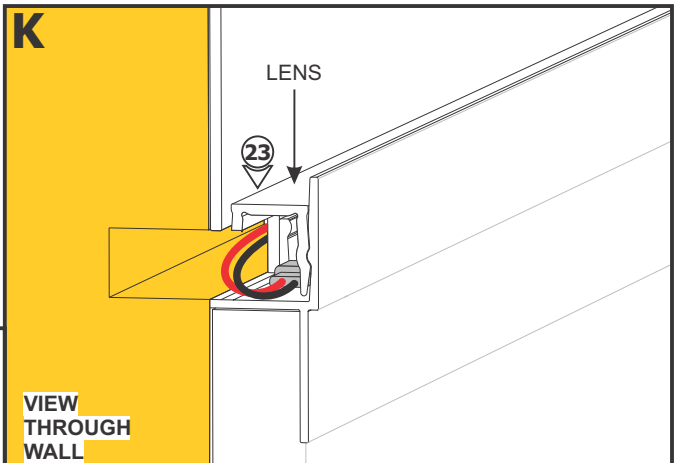
**CAUTION!** It may be necessary to remove material from the stud, backer plate, Verge channel, or lens to route power to the installation. Consult installation design when considering routing power (see inset).

21: Align the red wire side of the power connector with the "+24VDC" marking on the soft strip. Push the male connector of the soft strip into the female power connector. Test the soft strip prior to installing the channel.

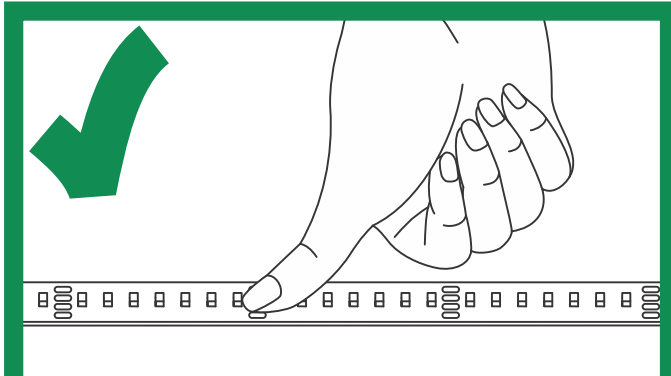
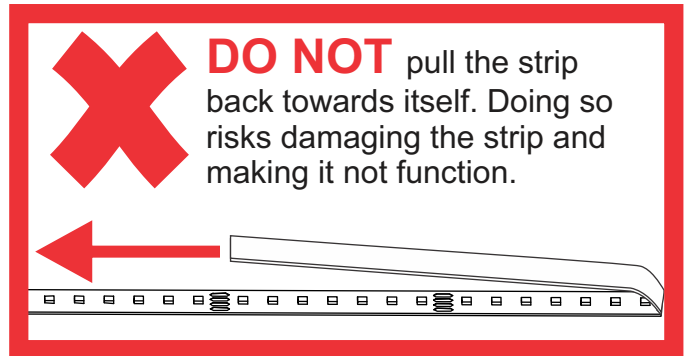
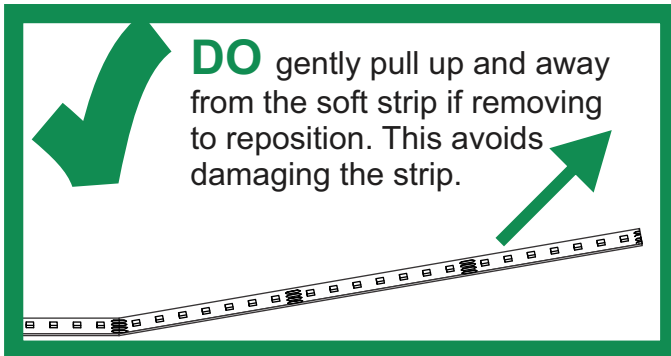
22: Carefully remove the backing from the LED soft strip, making sure not to remove the tape from the soft strip.

**NOTE:** If installation requires RGB, RGB+W, or Tunable White, refer to wiring diagrams on pages 5-7.

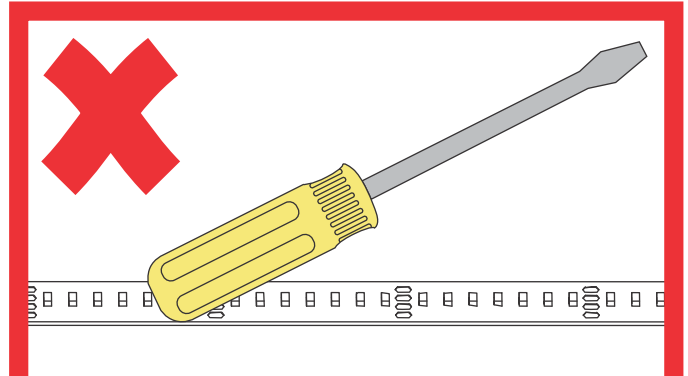
23: Snap the lens into the channel. Ensure the lens is fully seated.



## IMPORTANT INFORMATION REGARDING INSTALLATION AND REWORK OF SOFT STRIP LED

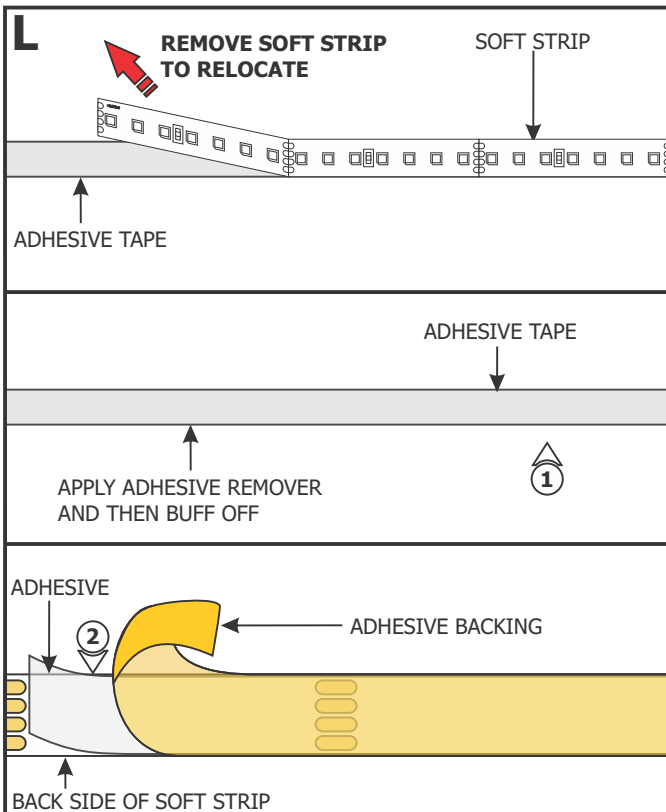


**DO** only ever use fingers to gently install soft strip to a surface **AFTER** cleaning the surface with alcohol.



**DO NOT** use any tool to install soft strip to a surface. This will damage the soft strip component.

## Relocating Soft Strip (Optional)

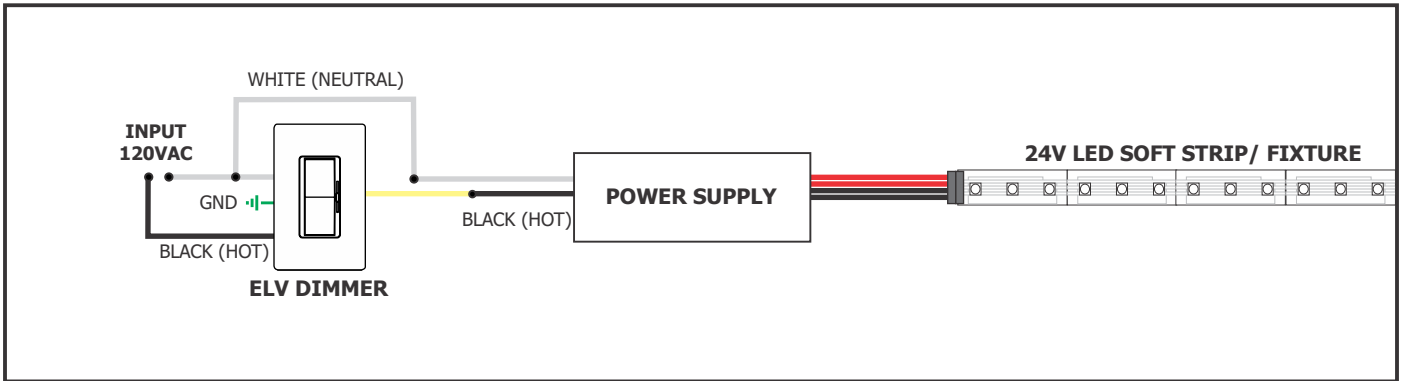


**NOTE:** If relocating the installed soft strip, make sure that the adhesive tape on back of the soft strip covers the entire strip. The adhesive tape isolates the strip from the installation surface. Damaged or inconsistent adhesive tape may cause the contacts on the back of the strip to come in contact with the conductive heat sink which will cause the strip to short and burn. Call Edge Lighting to get replacement adhesive tape and/or optional aluminum heat sink tape (SS-HR-F).

- 1:** To remove tape residue from back of the strip, apply WD-40, Goo Gone, or a mixture of warm water and lemon oil to the corner of a clean, dry towel. Gently buff the area containing the adhesive residue until it is completely removed.
- 2:** Gently remove a few inches from one side of the tape backing. Attach the adhesive tape to the back of the soft strip and apply moderate pressure to affix the tape. Continue this step a few inches at a time until the entire adhesive tape is attached to back of the soft strip.
- 3:** Refer to steps 21 and 22 to reinstall the soft strip.

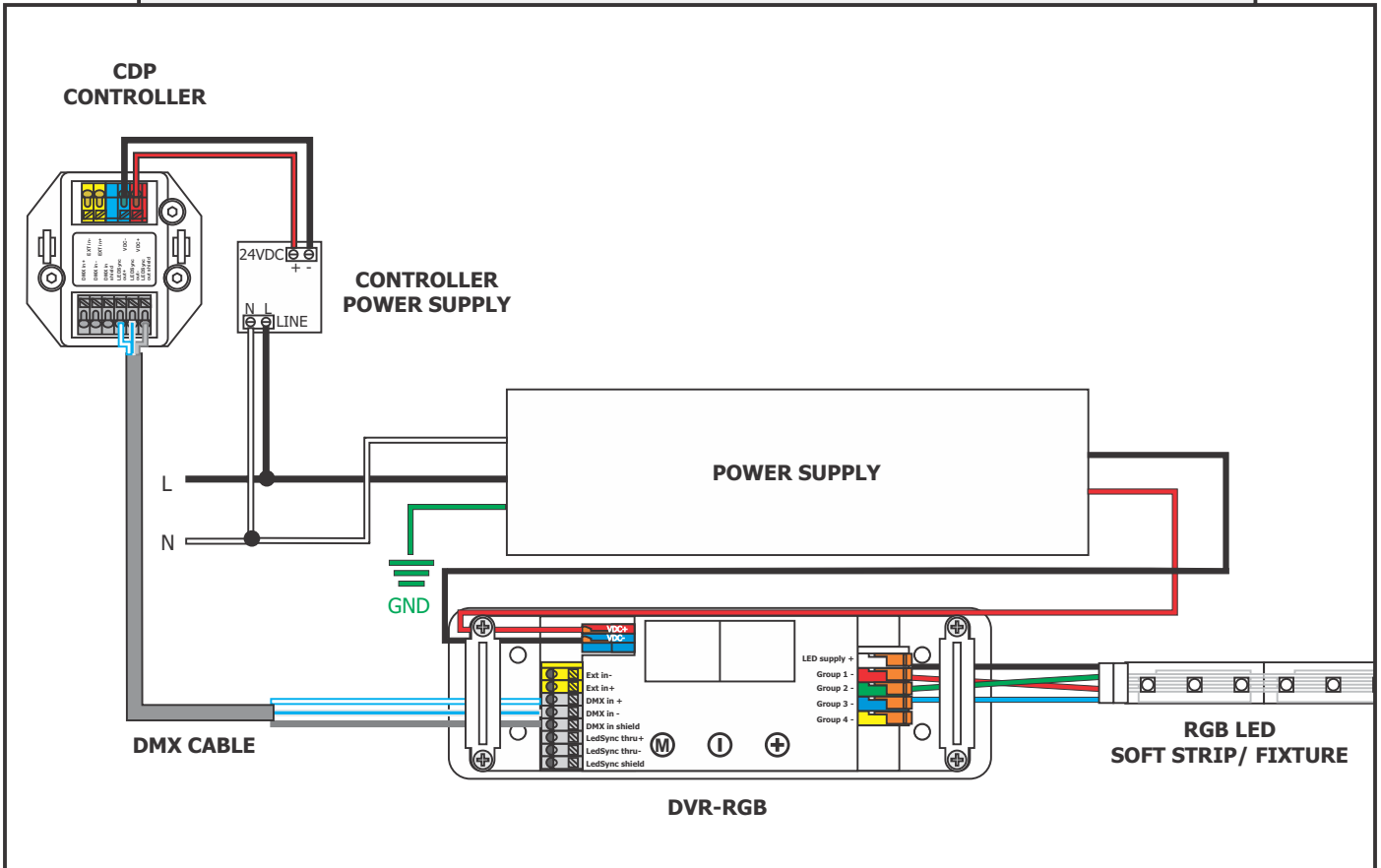
# Wiring Diagrams

## General 24VDC Configuration



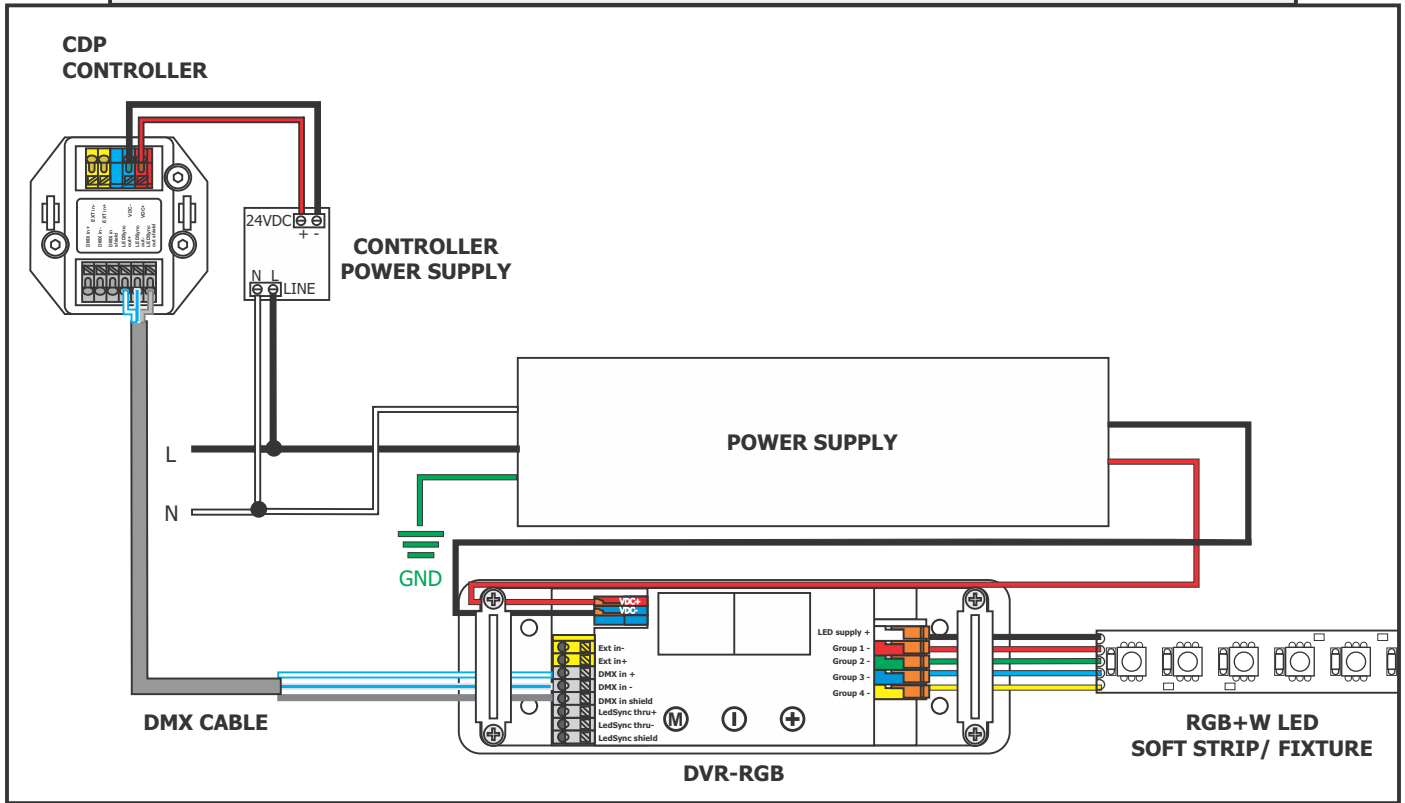
## Standard RGB Configuration

Using LED Power Supply with RGB Soft Strip & CDP, CTP or CDMX Control

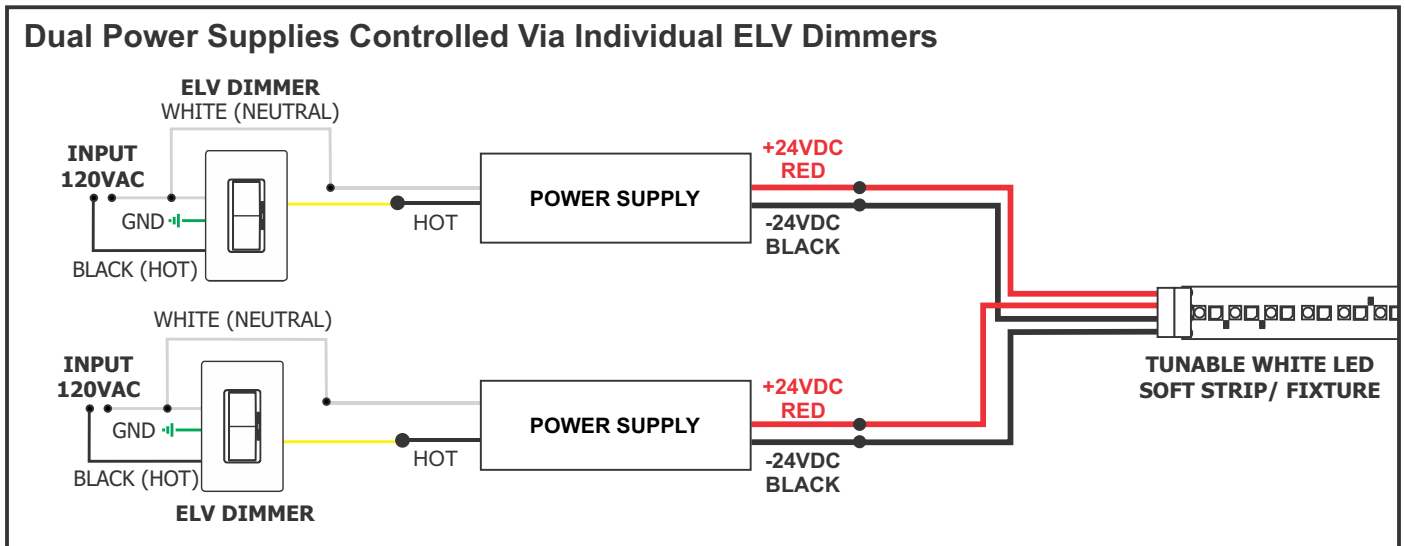


# RGB+W Configuration

Using LED Power Supply with RGB+W Soft Strip & CDP, CTP or CDMX Control



# Tunable White Configuration



# Tunable White Configuration

